

Operator's Manual

Rammer

BS 60-4 BS 60-4s



0158432en 012 0110



0 1 5 8 4 3 2 E N

Copyright notice

© Copyright 2010 by Wacker Neuson Corporation.

All rights, including copying and distribution rights, are reserved.

This publication may be photocopied by the original purchaser of the machine. Any other type of reproduction is prohibited without express written permission from Wacker Neuson Corporation.

Any type of reproduction or distribution not authorized by Wacker Neuson Corporation represents an infringement of valid copyrights. Violators will be prosecuted.

Trademarks

All trademarks referenced in this manual are the property of their respective owners.

Manufacturer

Wacker Neuson Corporation

N92W15000 Anthony Avenue

Menomonee Falls, WI 53051 U.S.A.

Tel: (262) 255-0500 · Fax: (262) 255-0550 · Tel: (800) 770-0957

www.wackerneuson.com

Original instructions

This Operator's Manual presents the original instructions. The original language of this Operator's Manual is American English.

Foreword	5
1. Emission Control System Information	6
2. Safety Information	13
2.1 Operating Safety	14
2.2 Operator Safety while using Internal Combustion Engines	16
2.3 Service Safety	17
2.4 Label Locations	18
2.5 Safety Labels	19
2.6 Operating Labels	22
3. Operation	24
3.1 Application	24
3.2 Recommended Fuel	24
3.3 Before Starting	24
3.4 To Start	24
3.5 To Stop	25
3.6 Low Oil Shutoff Switch (if equipped)	26
3.7 Proper Operation	27
3.8 Proper Compaction	28
4. Maintenance	29
4.1 Periodic Maintenance Schedule	29
4.2 Servicing Air Cleaner	30
4.3 Engine Oil	31
4.4 Lubrication	32
4.5 Shoe Hardware	34
4.6 Long-Term Storage	34
4.7 Transportation	35
4.8 Troubleshooting	36

5. Technical Data **38**

5.1 Rammer38

5.2 Sound Measurements39

5.3 Vibration Measurements39

5.4 Dimensions39

CALIFORNIA

Proposition 65 Warning:



Engine exhaust, some of its constituents, and certain vehicle components, contain or emit chemicals known to the State of California to cause cancer and birth defects or other reproductive harm.

Foreword

This manual provides information and procedures to safely operate and maintain this Wacker Neuson model. For your own safety and protection from injury, carefully read, understand and observe the safety instructions described in this manual.

Keep this manual or a copy of it with the machine. If you lose this manual or need an additional copy, please contact Wacker Neuson Corporation. This machine is built with user safety in mind; however, it can present hazards if improperly operated and serviced. Follow operating instructions carefully! If you have questions about operating or servicing this equipment, please contact Wacker Neuson Corporation.

The information contained in this manual was based on machines in production at the time of publication. Wacker Neuson Corporation reserves the right to change any portion of this information without notice.

All rights, especially copying and distribution rights, are reserved.

Copyright 2009 by Wacker Neuson Corporation.

No part of this publication may be reproduced in any form or by any means, electronic or mechanical, including photocopying, without express written permission from Wacker Neuson Corporation.

Any type of reproduction or distribution not authorized by Wacker Neuson Corporation represents an infringement of valid copyrights and will be prosecuted. We expressly reserve the right to make technical modifications, even without due notice, which aim at improving our machines or their safety standards.

Emission Control System Information

1 Emission Control System Information

Source of Emissions

The combustion process produces carbon monoxide, oxides of nitrogen, and hydrocarbons. Control of hydrocarbons and oxides of nitrogen is very important because, under certain conditions, they react to form photochemical smog when subjected to sunlight. Carbon monoxide does not react in the same way, but it is toxic.

Wacker Neuson utilizes lean carburetor settings and other systems to reduce the emissions of carbon monoxide, oxides of nitrogen, and hydrocarbons.

The U.S. and California Clean Air Acts

EPA and California regulations require all manufacturers to furnish written instructions describing the operation and maintenance of emission control systems.

The following instructions and procedures must be followed in order to keep the emissions from your Wacker Neuson engine within the emissions standards.

Tampering and Altering

Tampering with or altering the emission control system may increase emissions beyond the legal limit. Among those acts that constitute tampering are:

- Removal or alteration of any part of the intake, fuel, or exhaust systems.
- Altering or defeating the speed-adjusting mechanism to cause the engine to operate outside its design parameters.

Problems That May Affect Emissions

If you are aware of any of the following symptoms, have your engine inspected and repaired by your servicing dealer.

- Hard starting or stalling after starting.
- Rough idle.
- Misfiring or backfiring under load.
- Afterburning (backfiring).
- Black exhaust smoke or high fuel consumption.

Emission Control System Information

Replacement Parts

The emission control systems on your Wacker Neuson engine were designed, built, and certified to conform with EPA and California emissions regulations. We recommend the use of genuine Wacker Neuson parts whenever you have maintenance done. These original-design replacement parts are manufactured to the same standards as the original parts, so you can be confident of their performance. The use of replacement parts that are not of the original design and quality may impair the effectiveness of your emission control system.

A manufacturer of an aftermarket part assumes the responsibility that the part will not adversely affect emission performance. The manufacturer or rebuilder of the part must certify that use of the part will not result in a failure of the engine to comply with emission regulations.

Maintenance

Follow the maintenance schedule. Remember that this schedule is based on the assumption that your machine will be used for its designed purpose. Sustained high-load or high-temperature operation, or use in unusually wet or dusty conditions, will require more frequent service.

OXYGENATED FUELS

Some conventional gasolines are being blended with alcohol or an ether compound. These gasolines are collectively referred to as oxygenated fuels. To meet clean air standards, some areas of the United States and Canada use oxygenated fuels to help reduce emissions.

If you use an oxygenated fuel, be sure it is unleaded and meets the minimum octane rating requirement.

Before using an oxygenated fuel, try to confirm the fuel's contents. Some States / Provinces require this information to be posted on the pump.

The following are EPA-approved percentages of oxygenates:

ETHANOL - (ethyl or grain alcohol) 10% by volume. You may use gasoline containing up to 10% ethanol by volume. Gasoline containing ethanol may be marketed under the name "Gasohol". E85 fuel should **never** be used, as it is an alternative fuel containing 85% ethanol, 15% gasoline.

MTBE - (methyl tertiary butyl ether) 15% by volume. You may use gasoline containing up to 15% MTBE by volume.

Emission Control System Information

METHANOL - (methyl or wood alcohol) 5% by volume. You may use gasoline containing up to 5% methanol by volume, as long as it contains cosolvents and corrosion inhibitors to protect the fuel system. Gasoline containing more than 5% methanol by volume may cause starting and/or performance problems. It may also damage metal, rubber, and plastic parts of your fuel system.

If you notice any undesirable operating symptoms, try another service station, or switch to another brand of gasoline.

Fuel system damage or performance problems resulting from the use of an oxygenated fuel containing more than the percentages of oxygenates mentioned above are not covered under warranty.

Emission Control System Information

EMISSIONS COMPONENT DEFECT WARRANTY COVERAGE

This emission warranty is applicable in all States.

Wacker Neuson Corporation, N92 W15000 Anthony Avenue, Menomonee Falls, WI 53051-1504, (herein "Wacker Neuson") warrant("s") to the initial retail purchaser and each subsequent owner, that this non-road engine (herein "engine") has been designed, built, and equipped to conform at the time of initial sale to all applicable regulations of the U.S. Environmental Protection Agency (EPA), and that the engine is free of defects in materials and workmanship which would cause this engine to fail to conform with EPA regulations during its warranty period.

For the components listed under PARTS COVERED, the service dealer authorized by Wacker Neuson will, at no cost to you, make the necessary diagnosis, repair, or replacement necessary to ensure that the engine complies with applicable U.S. EPA regulations.

EMISSION COMPONENT DEFECT WARRANTY PERIOD

The warranty period for this engine begins on the date of sale to the initial purchaser and continues for a period of 2 years.

Emission Control System Information

PARTS COVERED

Listed below are the parts covered by the Emission Components Defect Warranty. Some of the parts listed below may require scheduled maintenance and are warranted up to the first scheduled replacement point for that part.

(1) Fuel Metering System

- (i) Carburetor and internal parts (and/or pressure regulator or fuel injection system).
- (ii) Air/fuel ratio feedback and control system, if applicable.
- (iii) Cold start enrichment system, if applicable.
- (iv) Regulator assembly (gaseous fuel, if applicable) .

(2) Air Induction System

- (i) Intake manifold, if applicable.
- (ii) Air filter.

(3) Ignition System

- (i) Spark plugs.
- (ii) Magneto or electronic ignition system.
- (iii) Spark advance/retard system, if applicable.

(4) Exhaust manifold, if applicable

(5) Miscellaneous Items Used in Above Systems

- (i) Electronic controls, if applicable.
- (ii) Hoses, belts, connectors, and assemblies.
- (iii) Filter lock assembly (gaseous fuel, if applicable).

Emission Control System Information

OBTAINING WARRANTY SERVICE

To obtain warranty service, take your engine to the nearest authorized Wacker Neuson service dealer. Bring your sales receipts indicating date of purchase for this engine. The service dealer authorized by Wacker Neuson will perform the necessary repairs or adjustments within a reasonable amount of time and furnish you with a copy of the repair order. All parts and accessories replaced under this warranty become the property of Wacker Neuson.

WHAT IS NOT COVERED

- Conditions resulting from tampering, misuse, improper adjustment (unless they were made by the service dealer authorized by Wacker Neuson during a warranty repair), alteration, accident, failure to use the recommended fuel and oil, or not performing required maintenance services.
- The replacement parts used for required maintenance services.
- Consequential damages such as loss of time, inconvenience, loss of use of the engine or equipment, etc.
- Diagnosis and inspection charges that do not result in warranty-eligible service being performed.
- Any non-authorized replacement part, or malfunction of authorized parts due to use of non-authorized parts.

OWNER'S WARRANTY RESPONSIBILITIES

As the engine owner, you are responsible for the performance of the required maintenance listed in your owner's manual. Wacker Neuson recommends that you retain all receipts covering maintenance on your engine, but Wacker Neuson cannot deny warranty solely for the lack of receipts or for your failure to ensure the performance of all scheduled maintenance. As the engine owner, you should however be aware that Wacker Neuson may deny warranty coverage if your engine or a part has failed due to abuse, neglect, improper maintenance or unapproved modifications.

You are responsible for presenting your engine to the nearest service dealer authorized by Wacker Neuson when a problem exists.

If you have any questions regarding your warranty rights and responsibilities, you should contact the WACKER NEUSON CORPORATION Product Support Department (U.S.A. 1-800-770-0957, Canada 1-877-977-0775) for the information.

Emission Control System Information

THINGS YOU SHOULD KNOW ABOUT THE EMISSION CONTROL SYSTEM WARRANTY:

MAINTENANCE AND REPAIRS

You are responsible for the proper maintenance of the engine. You should keep all receipts and maintenance records covering the performance of regular maintenance in the event questions arise. These receipts and maintenance records should be transferred to each subsequent owner of the engine. Wacker Neuson reserves the right to deny warranty coverage if the engine has not been properly maintained. Warranty claims will not be denied, however, solely because of the lack of required maintenance or failure to keep maintenance records.

MAINTENANCE, REPLACEMENT OR REPAIR OF EMISSION CONTROL DEVICES AND SYSTEMS MAY BE PERFORMED BY ANY REPAIR ESTABLISHMENT OR INDIVIDUAL; HOWEVER, WARRANTY REPAIRS MUST BE PERFORMED BY A SERVICE DEALER AUTHORIZED BY WACKER NEUSON. THE USE OF PARTS THAT ARE NOT EQUIVALENT IN PERFORMANCE AND DURABILITY TO AUTHORIZED PARTS MAY IMPAIR THE EFFECTIVENESS OF THE EMISSION CONTROL SYSTEM AND MAY HAVE A BEARING ON THE OUTCOME OF A WARRANTY CLAIM.

If other than the parts authorized by Wacker Neuson are used for maintenance replacements or for the repair of components affecting emission control, you should assure yourself that such parts are warranted by their manufacturer to be equivalent to the parts authorized by Wacker Neuson in their performance and durability.

HOW TO MAKE A CLAIM

All repair qualifying under this limited warranty must be performed by a service dealer authorized by Wacker Neuson. In the event that any emission-related part is found to be defective during the warranty period, you shall notify WACKER NEUSON CORPORATION Product Support Department (U.S.A. 1-800-770-0957, Canada 1-877-977-0775) and you will be advised of the appropriate warranty service dealer or service providers where the warranty repair can be performed.

2. Safety Information

This manual contains DANGER, WARNING, CAUTION, *NOTICE*, and NOTE callouts which must be followed to reduce the possibility of personal injury, damage to the equipment, or improper service.



This is the safety alert symbol. It is used to alert you to potential personal injury hazards. Obey all safety messages that follow this symbol to avoid possible injury or death.



DANGER

DANGER indicates a hazardous situation which, if not avoided, will result in death or serious injury.



WARNING

WARNING indicates a hazardous situation which, if not avoided, could result in death or serious injury.



CAUTION

CAUTION indicates a hazardous situation which, if not avoided, could result in minor or moderate injury.

NOTICE: Used without the safety alert symbol, **NOTICE** indicates a situation which, if not avoided, could result in property damage.

Note: *Contains additional information important to a procedure.*

2.1 Operating Safety



WARNING

Familiarity and proper training are required for the safe operation of the machine. Machines operated improperly or by untrained personnel can be hazardous. Read the operating instructions contained in this manual and the engine manual, and familiarize yourself with the location and proper use of all controls. Inexperienced operators should receive instruction from someone familiar with the machine before being allowed to operate it.

- 2.1.1 NEVER operate this machine in applications for which it is not intended.
- 2.1.2 Do not allow anyone to operate this equipment without proper training. People operating this equipment must be familiar with the risks and hazards associated with it.
- 2.1.3 Do not touch the engine or muffler while the engine is on or immediately after it has been turned off. These areas get hot and may cause burns.
- 2.1.4 Do not use accessories or attachments that are not recommended by Wacker Neuson. Damage to equipment and injury to the user may result.
- 2.1.5 NEVER leave the machine running unattended.
- 2.1.6 NEVER tamper with or disable the function of operating controls.
- 2.1.7 NEVER use choke to stop engine.
- 2.1.8 NEVER operate the machine in areas where explosions may occur.
- 2.1.9 Read, understand, and follow procedures in the Operator's Manual before attempting to operate the machine.
- 2.1.10 ALWAYS be sure that all other persons are at a safe distance from the machine. Stop the machine if people step into the working area of the machine.
- 2.1.11 Be sure operator is familiar with proper safety precautions and operation techniques before using machine.
- 2.1.12 ALWAYS wear protective clothing appropriate to the job site when operating the machine.
- 2.1.13 Wear hearing protection when operating equipment.
- 2.1.14 ALWAYS keep hands, feet, and loose clothing away from moving parts of the machine.
- 2.1.15 ALWAYS use common sense and caution when operating the machine.
- 2.1.16 ALWAYS be sure the rammer will not tip over, roll, slide, or fall when not being operated.
- 2.1.17 ALWAYS turn the engine OFF when the rammer is not being operated.

- 2.1.18 ALWAYS guide the rammer in such a way that the operator is not squeezed between the rammer and solid objects. Special care is required when working on uneven ground or when compacting coarse material. Make sure to stand firmly when operating the machine under such conditions.
- 2.1.19 ALWAYS operate the rammer in such a way that there is no danger of it turning over or falling in, when working near the edges of breaks, pits, slopes, trenches and platforms.
- 2.1.20 Store the machine properly when it is not being used. The machine should be stored in a clean, dry location out of the reach of children.
- 2.1.21 Close fuel valve on engines equipped with one when machine is not being operated.
- 2.1.22 Always operate machine with all safety devices and guards in place and in working order. Do not modify or defeat safety devices. Do not operate machine if any safety devices or guards are missing or inoperative.

2.2 Operator Safety while using Internal Combustion Engines



WARNING

Internal combustion engines present special hazards during operation and fueling. Read and follow the warning instructions in the engine owner's manual and the safety guidelines below. Failure to follow the warnings and safety standards could result in severe injury or death.

- 2.2.1 Do not smoke while operating the machine.
- 2.2.2 Do not smoke when refueling the engine.
- 2.2.3 Do not refuel a hot or running engine.
- 2.2.4 Do not refuel the engine near an open flame.
- 2.2.5 Do not spill fuel when refueling the engine.
- 2.2.6 Do not run the engine near open flames.
- 2.2.7 Do not run the machine indoors or in an enclosed area such as a deep trench unless adequate ventilation, through such items as exhaust fans or hoses, is provided. Engine exhaust contains carbon monoxide. This is a poison you cannot see or smell. Exposure to carbon monoxide can cause loss of consciousness and **CAN KILL YOU IN MINUTES**.
- 2.2.8 Refill the fuel tank in a well-ventilated area.
- 2.2.9 Replace the fuel tank cap after refueling.
- 2.2.10 **ALWAYS** check the fuel lines and the fuel tank for leaks and cracks before starting the engine. Do not run the machine if fuel leaks are present or the fuel lines are loose.

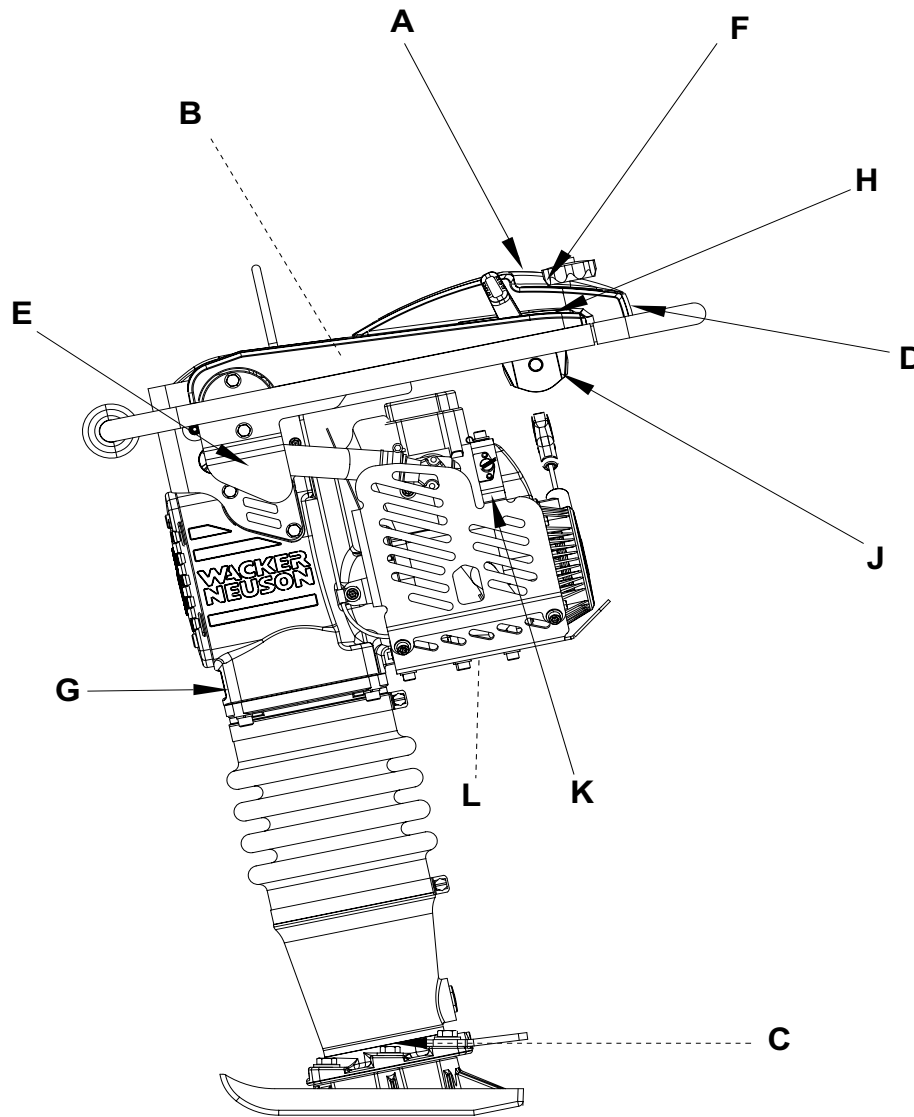
2.3 Service Safety

**WARNING**

A poorly maintained machine can become a safety hazard! In order for the machine to operate safely and properly over a long period of time, periodic maintenance and occasional repairs are necessary.

- 2.3.1 Do not attempt to clean or service the machine while it is running. Rotating parts can cause severe injury.
- 2.3.2 DO NOT operate the machine without an air cleaner.
- 2.3.3 DO NOT remove air cleaner cover, paper element, or precleaner while engine is running.
- 2.3.4 DO NOT alter engine speeds. Run the engine only at speeds specified in the Technical Data Section.
- 2.3.5 Do not crank a flooded engine with the spark plug removed on gasoline-powered engines. Fuel trapped in the cylinder will squirt out the spark plug opening.
- 2.3.6 Do not test for spark on gasoline-powered engines if the engine is flooded or the smell of gasoline is present. A stray spark could ignite the fumes.
- 2.3.7 Do not use gasoline or other types of fuels or flammable solvents to clean parts, especially in enclosed areas. Fumes from fuels and solvents can become explosive.
- 2.3.8 ALWAYS replace the safety devices and guards after repairs and maintenance.
- 2.3.9 Keep the area around the muffler free of debris such as leaves, paper, cartons, etc. A hot muffler could ignite the debris and start a fire.
- 2.3.10 ALWAYS do periodic maintenance as recommended in the Operator's Manual.
- 2.3.11 ALWAYS clean debris from engine cooling fins.
- 2.3.12 Replace worn or damaged components with spare parts designed and recommended by Wacker Neuson Corporation.
- 2.3.13 Disconnect the spark plug on machines equipped with gasoline engines, before servicing, to avoid accidental start-up.
- 2.3.14 Keep the machine clean and labels legible. Replace all missing and hard-to-read labels. Labels provide important operating instructions and warn of dangers and hazards.

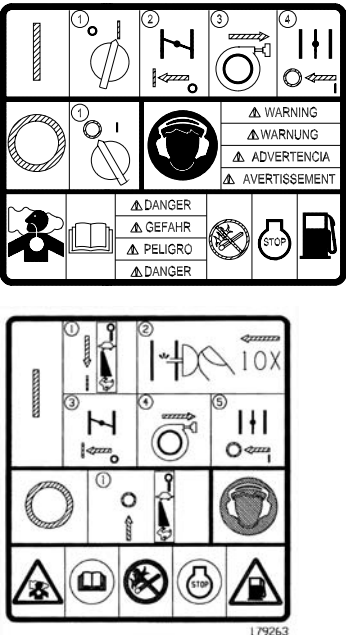

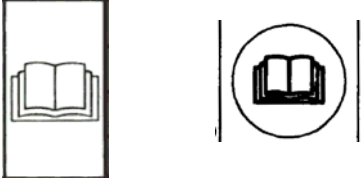

2.4 Label Locations


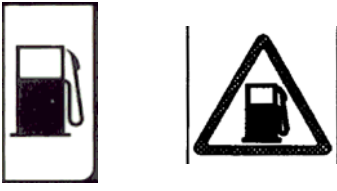
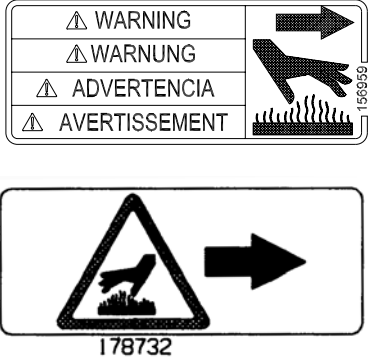
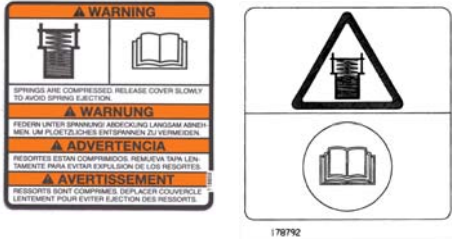
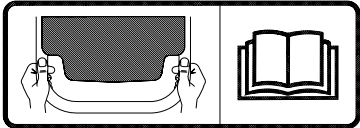






wc_gr006437

2.5 Safety Labels

Wacker Neuson machines use international pictorial labels where needed. These labels are described below:

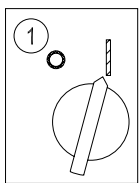
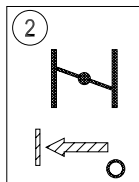
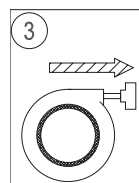
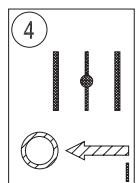
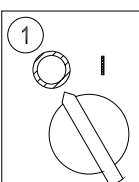
	Label	Meaning
A		<p>This molded-in label contains important safety and operating information. If it becomes illegible, the cover must be replaced. Refer to the Parts Book for ordering information.</p>
—		<p>DANGER! Engines emit carbon monoxide; operate only in well-ventilated area.</p>
—		<p>Read the Operator's Manual for machine information.</p>
—		<p>DANGER! No sparks, flames or burning objects near machine.</p>



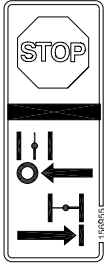
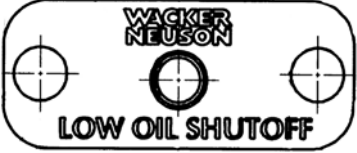
	Label	Meaning
—		Shut off the engine before refueling.
—		CAUTION! Use only clean, filtered gasoline fuel.
B		WARNING! Hot surface!
C		WARNING! Serious injury if struck by compressed spring or cover. If the spring system cover is removed improperly, the springs can eject.
D		For optimal control, performance, and minimal hand/arm vibration, grasp handle as shown. Refer to Section <i>Proper Operation</i> for further details.

	Label	Meaning
E		Guaranteed sound power level in dB(A).
F		CAUTION! Use only clean, filtered gasoline fuel.
G		A nameplate listing the model number, item number, revision number, and serial number is attached to each unit. Please record the information found on this plate so it will be available should the nameplate become lost or damaged. When ordering parts or requesting service information, you will always be asked to specify the model number, item number, revision number, and serial number of the unit.
—		This machine may be covered by one or more patents.

2.6 Operating Labels

Wacker Neuson machines use international pictorial labels where needed. These labels are described below:

	Label	Meaning
—		Turn the engine switch to the ON position.
—		Close the choke.
—		Pull the rewind starter.
—		Open the choke.
—		Turn the engine switch to "OFF".

	Label	Meaning
H		<p>Throttle control lever: Turtle = Idle or Slow Rabbit = Full or Fast</p>
J		<p>Fuel valve: Closed</p> <p>Open</p>
K		<p>Engine stop button: Press to stop engine.</p> <p>Choke: 0 = Open</p> <p>I = Closed</p>
L		<p>This rammer is equipped with a low oil shutoff switch, it will not allow the engine to operate unless a sufficient amount of oil is present. See section <i>Low Oil Shutoff Switch</i>.</p>

3. Operation

3.1 Application

Rammers are designed to compact loose soils and gravel to prevent settling and to provide a firm, solid base for the placement of footings, concrete slabs, foundations, and other structures.

3.2 Recommended Fuel

This engine is certified to operate on automotive unleaded gasoline. Use only fresh, clean gasoline. Gasoline containing water or dirt will damage fuel system.

3.3 Before Starting

- 3.3.1 Read safety instructions at the beginning of this manual.
- 3.3.2 Make sure that the gas tank is full.
- 3.3.3 Check engine oil level.
- 3.3.4 Place rammer on loose soil or gravel. DO NOT start rammer on hard surfaces such as asphalt or concrete.

3.4 To Start

See Graphic: *wc_gr001454*

Note: After transporting the rammer horizontally, upright the rammer and allow the oil to drain back through the engine. It may take up to 2 minutes for the oil level to recover.

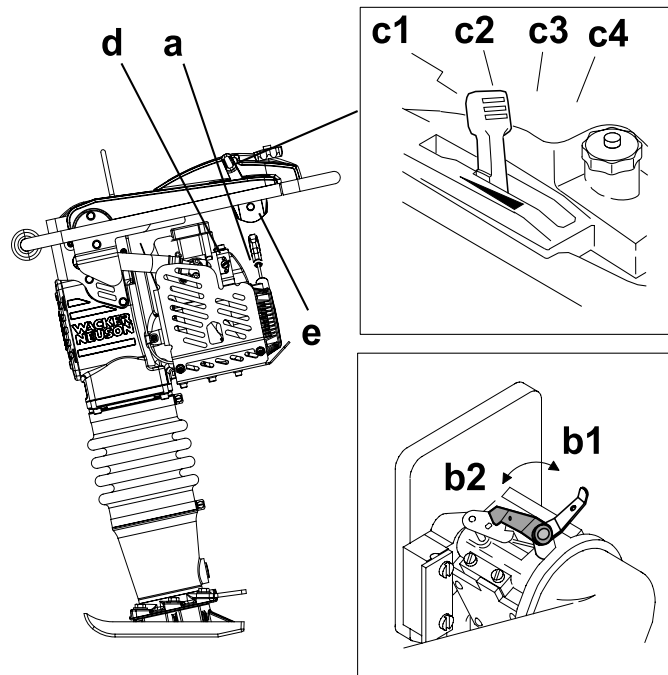
- 3.4.1 Open fuel valve **(e)**.
- 3.4.2 Turn engine switch to "ON" **(d)**.
- 3.4.3 If the engine is cold, close choke **(b1)** on the carburetor.
Note: Occasionally, warm engines will need to be choked.
- 3.4.4 With throttle in idle position **(c2)**, pull the starter rope **(a)** until the engine starts.
- 3.4.5 On engines equipped with the low oil shutoff switch, see section *Low Oil Shutoff Switch* for additional information.

Note: First time use, engines recently serviced, run out of fuel or not used for long periods of time may need the rope to be pulled more times to move fuel to the carburetor.

- 3.4.6 Open choke (**b2**) on the carburetor as the engine warms up.

Note: A cold engine should be allowed to warm up at the idle position (**c2**) for approximately one (1) minute. Failure to open the choke after the engine attempts to start may cause flooding.

NOTICE: Always open choke (**b2**) with throttle in idle position (**c2**). Opening choke with throttle not in idle position (**c2**) may result in rammer motion.



3.5 To Stop

See Graphic: wc_gr001454

- 3.5.1 Place throttle in the idle position (**c2**).
- 3.5.2 Turn engine switch to "OFF" (**d**).
- 3.5.3 Close fuel valve (**e**).

3.6 Low Oil Shutoff Switch (if equipped)

The low oil shutoff switch is designed to prevent engine damage caused by an insufficient amount of oil.

When starting the machine:

- if the warning light flashes quickly once, this indicates the engine oil level is acceptable.
- if the warning light flashes slowly, the engine will start but shut off after 10-12 seconds, this indicates that the engine oil level is low. Add oil to the engine. See *Technical Data* for oil quantity and type.
- if the warning light stays on continuously, the engine will start and continue to run but the low oil shutoff switch is not functioning properly. Check the switch for proper wire connections. If the light continues to stay on, replace the switch.
- if the warning light does not flash quickly once, and the engine starts and continues to run, the low oil shutoff switch is not functioning properly. Check the switch for proper wire connections and grounding. If the light still does not flash when starting the machine, replace the switch.

3.7 Proper Operation

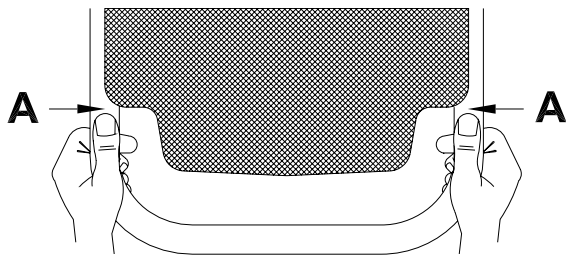
See Graphic: *wc_gr002612, wc_gr001455*

Keep vibratory rammer clean and dry. Avoid no-load strokes. Never allow the rammer to run full throttle when forcing away material or when lifting the equipment.

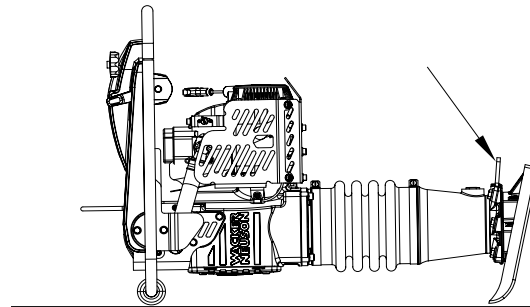
For optimal control, performance, and minimal hand/arm vibration, grasp handle as shown. Hand/arm vibration (HAV) has been optimized for this positioning. Reported HAV levels are measured at position **A** just in front of the hand position shown in conformance with EN1033 and ISO 5349.

NOTICE: To prevent damage to the rammer, do not allow the rammer to run on its side.

If the rammer should tip on its side, place the rammer in the position shown, then shut off the engine by turning engine switch to "OFF".



wc_gr002612

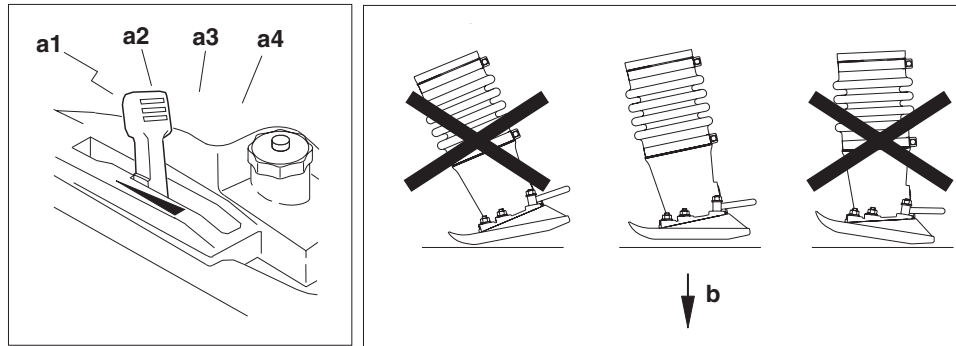


wc_gr001455

3.8 Proper Compaction

See Graphic: *wc_gr000045*

- 3.8.1 Run rammer at the full throttle position (**a4**) for maximum performance.
- 3.8.2 Guide rammer with its handle. Allow machine to pull itself forward. DO NOT try to over-power the machine.
- 3.8.3 For best compaction, the shoe must hit the ground flat (**b**), not on its toe or heel. This will save on excessive shoe wear.



wc_gr000045

4. Maintenance

4.1 Periodic Maintenance Schedule

Maintenance, replacement, or repair of the emission control devices and systems may be performed by any non-road engine repair establishment or individual.

	Daily before starting	After first 5 hours	Every week or 25 hours	Every month or 100 hours	Every 3 months or 300 hours	Every Year
Check fuel level. Check engine oil level.	■					
Inspect air filter. Replace as needed.	■					
Check oil level in sightglass.	■					
Check fuel line and fittings for cracks or leaks. Replace as needed.	■					
Tighten ramming shoe hardware.		■	■			
Check external hardware.		■	■			
Clean engine cooling fins.			■			
Clean and check spark plug gap.			■			
Change engine oil.				■		
Replace spark plug.				■		
Clean recoil starter.					■	
Change ramming system oil.*					■	
Inspect crane lifting cable for wear, damage, or abuse.					■	
Inspect fuel filter.						■

* Change ramming system oil after first 50 hours of operation.

Note: If engine performance is poor, check, clean, and replace air filter elements as needed.

4.2 Servicing Air Cleaner

See Graphic: wc_gr001306



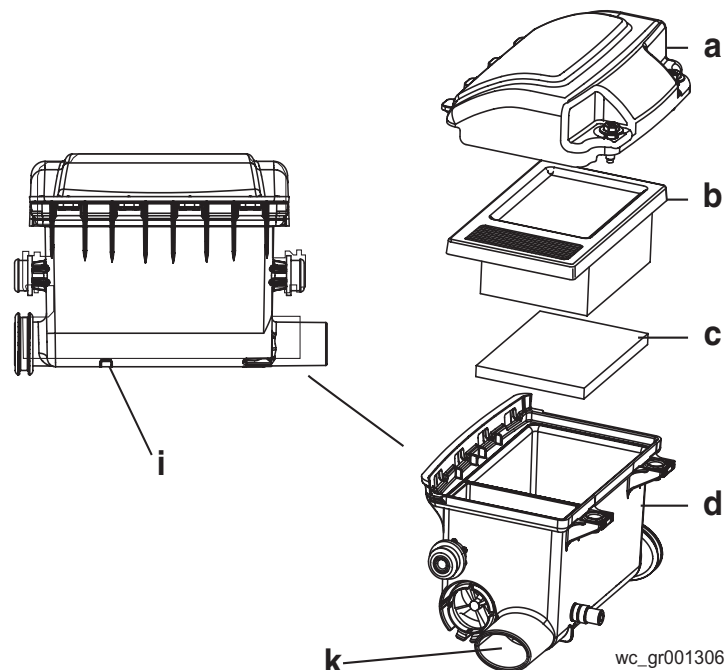
WARNING

NEVER use gasoline or other types of low flash point solvents for cleaning the air filter. A fire or explosion could result.

NOTICE: NEVER run the engine without the main paper air filter **(b)**. Severe engine damage will occur.

Clean elements using the following procedure:

- 4.2.1 Remove the air cleaner cover **(a)**. Remove the main paper filter element **(b)** and secondary prefilter **(c)** and inspect them for holes or tears. Replace the elements if they are damaged.
- 4.2.2 Main paper filter element **(b)**: Replace the main paper filter element if it appears heavily soiled.
- 4.2.3 Prefilter **(c)**: Clean the prefilter with low-pressure compressed air. When very soiled, wash the prefilter in a solution of mild detergent and warm water. Rinse it thoroughly in clean water. Allow the prefilter to dry thoroughly before reinstalling.
Note: Do not oil the prefilter.
- 4.2.4 Wipe out the filter housing **(d)** with a clean cloth. Do not use compressed air.
NOTICE: Do not allow dirt to get into the engine intake port **(k)** while cleaning. Damage to engine will result.
- 4.2.5 Check that the precleaner debris ejector slot **(i)** is clear.



4.3 Engine Oil

See Graphic: wc_gr002431

4.3.1 Drain the oil while the engine is still warm.

Note: *In the interests of environmental protection, place a plastic sheet and a container under the machine to collect any liquid which drains off. Dispose of this liquid in accordance with environmental protection legislation.*

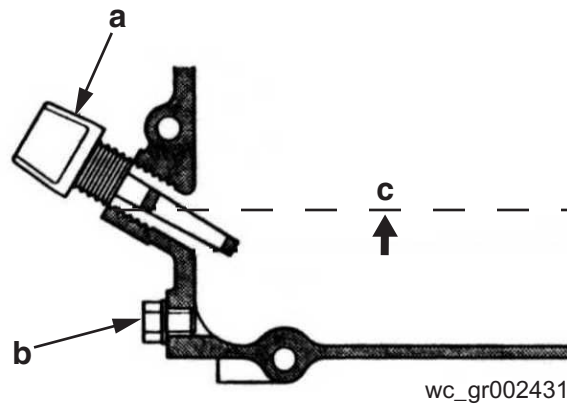
4.3.2 Place the rammer so that the engine is level.

4.3.3 Remove the oil fill plug **(a)** and drain the plug **(b)** to drain the oil.

4.3.4 Install the drain plug **(b)**.

4.3.5 Fill the engine crankcase with the recommended oil up to the level of the plug opening **(c)**. Do not thread in the dipstick to check the oil level. See section *Technical Data* for oil quantity and type.

4.3.6 Install the oil filler plug **(a)**.



4.4 Lubrication

See Graphic: *wc_gr001488*

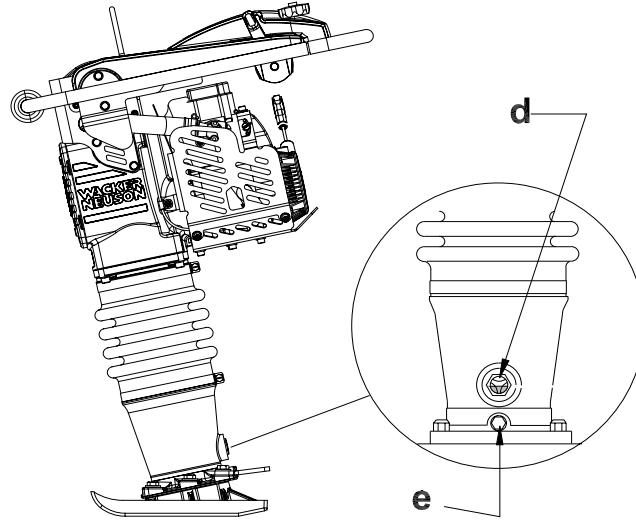
Ramming system

Check oil level:

- 4.4.1 Tilt the machine backwards approximately 15° until the engine is level by placing a wedge under the shoe.
- 4.4.2 Check the oil level through oil sightglass **(d)**. Proper ramming system lubrication is indicated when approximately 1/2–3/4 of the sightglass is full.
- 4.4.3 If the oil is not visible, oil must be added through the sightglass port. Tilt rammer forward and remove sightglass **(d)**. See *Technical Data* for oil quantity and type.
- 4.4.4 Wrap the sightglass threads with teflon tape. Install the sightglass **(d)**. Torque to 9 Nm.
- 4.4.5 **Note:** *After transporting the rammer horizontally, upright the rammer and allow the oil to drain back through the engine. It may take up to 45 minutes for the oil level to recover.*

Oil change:

- 4.4.6 Unscrew the oil drain plug **(e)** located below the oil sightglass.
- 4.4.7 Tip the rammer back until it is resting on its handle and allow oil to drain.
Note: *In the interests of environmental protection, place a plastic sheet and a container under the machine to collect any liquid which drains off. Dispose of this liquid in accordance with environmental protection legislation.*
- 4.4.8 Screw in the oil drain plug **(e)**. Torque to 54 Nm.
- 4.4.9 Remove sightglass **(d)** and fill with oil. See *Technical Data* for oil quantity and type. Wrap the sightglass threads with teflon tape. Install the sightglass **(d)**. Torque to 9 Nm.



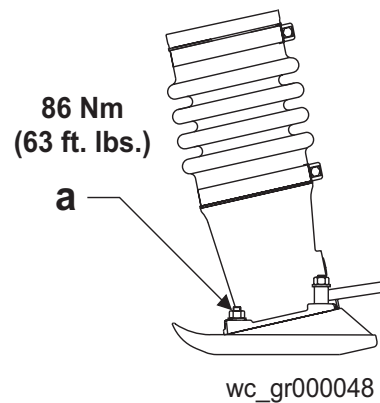
wc_gr001488

4.5 Shoe Hardware

See Graphic: *wc_gr000048*

On new machines, or after replacing shoe, check and tighten shoe hardware **(a)** after the first 5 hours of operation. Inspect hardware every week thereafter.

Torque hardware as specified.



4.6 Long-Term Storage

- 4.6.1 Drain the fuel from the tank.
- 4.6.2 Start the engine and run it until remaining fuel is used.
- 4.6.3 Remove the spark plug. Pour approximately 30 ml (1 oz.) of clean SAE 10W30 engine oil into the cylinder through the spark plug opening.
- 4.6.4 Pull the starter rope slowly to distribute oil in the engine.
- 4.6.5 Re-install the spark plug.

4.7 Transportation

See Graphic: *wc_gr001457*

- 4.7.1 Always shut off engine and close fuel valve when transporting machine.
- 4.7.2 Make sure lifting device has enough capacity to hold machine (see identification plate on machine for weight).
- 4.7.3 Use central lifting point **(a)** when lifting machine.



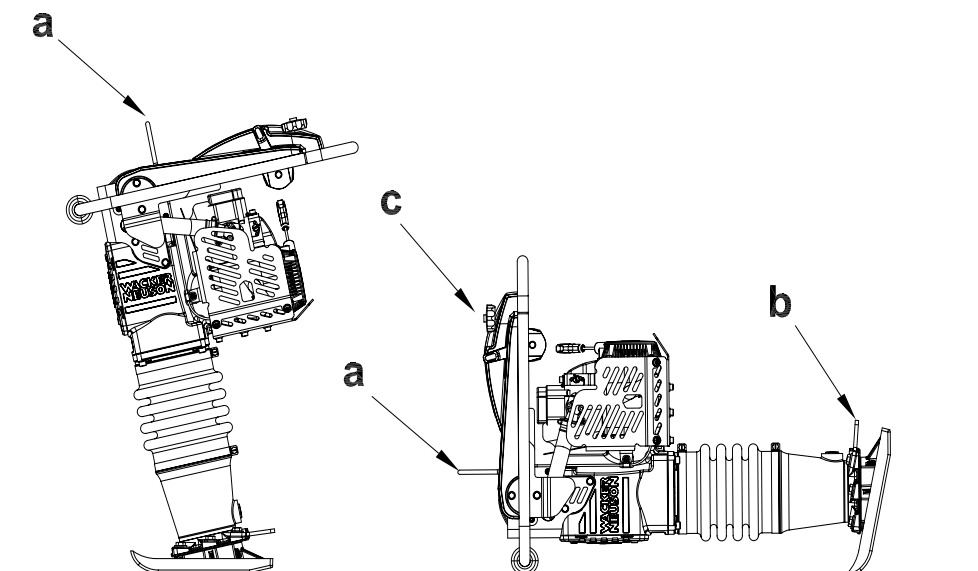
Always inspect crane lifting cable for wear, damage, or abuse. Protect cable from any sharp edges. Do not use if there are any signs of cut wires, excessive wear, or other defects. Replace damaged cable immediately to avoid injury or death.

- 4.7.4 Wacker recommends transporting rammers upright whenever possible; however, a rammer should not be allowed to fall over.

If the rammer cannot be secured in the upright position, tie down the rammer to the transport vehicle to prevent it from tipping, falling, or rolling. Lay the rammer down only as shown below and tie it to the vehicle at points **(a)** and **(b)**.

NOTICE: Drain the fuel tank as required to prevent fuel leaking from the cap **(c)**.

NOTE: After transporting the rammer horizontally, upright the rammer and allow the oil to drain back through the engine. It may take up to 2 minutes for the oil level to recover.



4.8 Troubleshooting

Problem / Symptom	Reason / Remedy
Engine does not start, or stalls.	<ul style="list-style-type: none"> • No fuel in tank. • Check engine oil level. • Spark plug fouled. • Fuel valve closed. • Engine switch is in the "OFF" position.
Engine does not accelerate, is hard to start, or runs erratically.	<ul style="list-style-type: none"> • Spark plug fouled. • Crankshaft seals are leaking. • Check air cleaner. • Check engine oil level. •
Engine overheats.	<ul style="list-style-type: none"> • Clean cooling fins and fan blades.
Engine runs, rammer does not tamp.	<ul style="list-style-type: none"> • Inspect clutch for damage. Replace if necessary. • Broken connecting rod or crankgear. • Low engine performance. Compression loss.
Engine runs, rammer operation is erratic.	<ul style="list-style-type: none"> • Oil/grease on clutch. • Broken/worn springs. • Soil buildup on ramming shoe. • Broken parts in ramming system or crankcase. • Engine operating speed is too high.
On machines equipped with the low oil shutoff switch, the warning light flashes slowly, the engine starts but shuts off after 10-12 seconds.	<ul style="list-style-type: none"> • Engine oil level is low. Add oil to the engine. See <i>Technical Data</i> for oil quantity and type.

Problem / Symptom	Reason / Remedy
On machines equipped with the low oil shutoff switch, the engine starts and continues to run but the low oil warning light stays on continuously.	<ul style="list-style-type: none">• Check the switch for proper wire connections.• Switch is not functioning properly. Replace the switch.
On machines equipped with the low oil shutoff switch, the engine starts and continues to run, but the low oil warning light did not flash quickly once.	<ul style="list-style-type: none">• Check the switch for proper wire connections and grounding.• Switch is not functioning properly. Replace the switch.

5. Technical Data

5.1 Rammer

Engine power rating

Gross power rating per SAE J1995. Actual power output may vary due to conditions of specific use.

Item Number:		BS 60-4 0009340 0620000 0620051 0620109 0620110	BS 60-4s 0620072 0620074 0620483 0620653 0620073 Rev 201 and lower	BS 60-4s 0620073 Rev 202 and higher
Rammer				
Engine Model	type	WM90		WM100
Engine Speed - operating	rpm	4200 ± 100		
Engine Speed - idle	rpm	2000 ± 100		
Clutch Engagement	rpm	2500 ± 100		
Max. rated power @ rated speed (4200 rpm)	kW(HP)	2.1 (2.8)		2.4 (3.2)
Spark Plug	type	NGK BM4A or BMR4A		
Electrode Gap	mm (in)	0.6–0.7		
Cylinder Head Compression (cold)	bar/cm ³ (psi)	8.0–9.7		
Air Cleaner	type	Three stage with cyclonic precleaner		
Engine Lubrication	oil grade	SAE 10W30: SE, SF or higher		
Engine Oil Capacity	ml (oz.)	300		
Fuel Tank Capacity	l (qts.)	3.0		
Fuel	type	Regular unleaded gasoline		
Fuel Consumption	l(qt.)/hr	1.2		
Running Time	hour	2.5		
Ramming System Lubrication	oil grade	SAE 10W30		
Ramming System Capacity	ml (oz.)	890		

5.2 Sound Measurements

Products are tested for sound pressure level in accordance with EN ISO 11204. Sound power level is tested in accordance with European Directive 2000/14/EC - Noise Emission in the Environment by Equipment for use outdoors.

- the sound pressure level at operator's location (L_{pA}) = 98 dB(A).
- the guaranteed sound power level (L_{WA}) = 108 dB(A).

5.3 Vibration Measurements

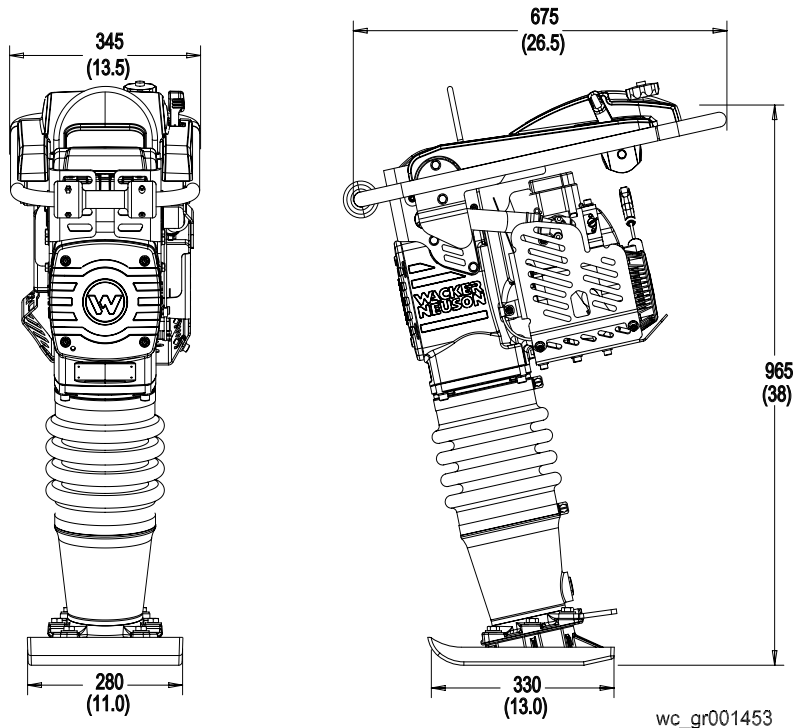
Products are tested for hand/arm vibration (HAV) level in accordance with ISO 5349, EN1033, and EN500-4 where applicable.

- HAV 6.5 m/s^2

Refer to Section *Proper Operation* for further details.

5.4 Dimensions

mm (in.)





WACKER NEUSON

EC DECLARATION OF CONFORMITY

WACKER NEUSON CORPORATION, N92W15000 ANTHONY AVENUE, MENOMONEE FALLS, WISCONSIN USA

AUTHORIZED REPRESENTATIVE IN THE EUROPEAN UNION	Axel Häret WACKER NEUSON SE Preußenstraße 41 80809 München
---	---

hereby certifies that the construction equipment specified hereunder:

- Category:
Vibratory Rammer
- Machine function:
This machine is intended to be used for compacting cohesive, mixed, and granular soils in confined areas.
- Type / Model
Rammer BS 50-4, BS 50-4s, BS 60-4, BS 60-4s
- Item number of equipment:
0620811, 0620813, 0620074, 0620483, 0620812
- Net installed power:
2,1 kW

Has been sound tested per Directive 2000/14/EC:

Conformity Assessment Procedure	Name and address of notified body	Measured sound power level	Guaranteed sound power level
ANNEX VIII	Lloyds Register Quality Assurance Limited (Notified Body No 0088) 71 Fenchurch Street London EC3M 4BS United Kingdom	107 dB(A)	108dB(A)

- This machinery fulfills the relevant provisions of Machinery Directive 2006/42/EC and is also produced in accordance with these standards:

**2000/14/EC
2004/26/EC
2004/108/EC
EN 500-1
EN 500-4**

18-12-09

Date

William Lahner
Vice President of Engineering

Paul Sina
Manager, Product Engineering

WACKER NEUSON CORPORATION

The original language of this EC Declaration of Conformity is American English.

