



Breaker Hammer Kit with Cart

Owner's Manual



! **WARNING:** Read carefully and understand all ASSEMBLY AND OPERATION INSTRUCTIONS before operating. Failure to follow the safety rules and other basic safety precautions may result in serious personal injury.

Item #61587

READ & SAVE THESE INSTRUCTIONS

Thank you very much for choosing an Ironton™ product!

For future reference, please complete the owner's record below:

Serial Number/Lot Date Code: _____

Purchase Date: _____

Save the receipt, warranty, and this manual. It is important that you read the entire manual to become familiar with this product before you begin using it.

This breaker hammer kit with cart is designed for certain applications only. Northern Tool and Equipment is not responsible for issues arising from modification or improper use of this product such as an application for which it was not designed. We strongly recommend that this product not be modified and/or used for any application other than that for which it was designed.

For technical questions, please call **1-800-222-5381**.

Table of Contents

Intended Use.....	4
Packaging Contents.....	4
Technical Specifications	4
Important Safety Information	4
Specific Operation Warnings	6
Grounding	6
Extension Cords.....	8
Main Parts of Breaker Hammer Kit with Cart	9
Assembly Instructions.....	10
Before Each Use.....	12
Operating Instructions.....	12
After Each Use.....	16
Maintenance	16
Troubleshooting.....	17
Hammer Parts Diagram	18
Hammer Parts List	19
Cart Parts Diagram.....	21
Cart Parts List.....	22
Replacement Parts	22
Limited Warranty.....	23

Intended Use

The Ironton Breaker Hammer Kit with Cart contains all of the accessories needed for rapid breaking and chipping of concrete and masonry blocks.

Packaging Contents

- Hammer Kit
- Mobile Cart
- Grease
- 2 Chisels
- Owner's Manual

Technical Specifications

Property	Specification
Rate	110V / 60Hz
Amperage	15A
Impact rate	950 BPM
Impact Energy	75 J

Important Safety Information

⚠️WARNING

- Read and understand all instructions. Failure to follow all instructions may result in serious injury or property damage.
- The warnings, cautions, and instructions in this manual cannot cover all possible conditions or situations that could occur. Exercise common sense and caution when using this tool. Always be aware of the environment and ensure that the tool is used in a safe and responsible manner.
- Do not allow persons to operate or assemble the product until they have read this manual and have developed a thorough understanding of how it works.
- Do not modify this product in any way. Unauthorized modification may impair the function and/or safety and could affect the life of the product. There are specific applications for which the product was designed.
- Use the right tool for the job. DO NOT attempt to force small equipment to do the work of larger industrial equipment. There are certain applications for which this equipment was designed. This product will be safer and do a better job at the capacity for which it was intended. DO NOT use this equipment for a purpose for which it was not intended.
- Industrial or commercial applications must follow OSHA requirements.

⚠️WARNING

WORK AREA SAFETY

- Inspect the work area before each use. Keep work area clean, dry, free of clutter, and well-lit.

Cluttered, wet, or dark work areas can result in injury. Using the product in confined work areas may put you dangerously close to cutting tools and rotating parts.

- Do not use the product where there is a risk of causing a fire or an explosion; e.g., in the presence of flammable liquids, gases, or dust. The product can create sparks, which may ignite the flammable liquids, gases, or dust.
- Do not allow the product to come into contact with an electrical source. The tool is not insulated and contact will cause electrical shock.
- Keep children and bystanders away from the work area while operating the tool. Do not allow children to handle the product.
- Be aware of all power lines, electrical circuits, water pipes, and other mechanical hazards in your work area. Some of these hazards may be hidden from your view and may cause personal injury and/or property damage if contacted.

⚠WARNING

PERSONAL SAFETY

- Stay alert, watch what you are doing, and use common sense when operating the tool. Do not use the tool while you are tired or under the influence of drugs, alcohol, or medication. A moment of inattention while operating the tool may result in serious personal injury.
- Dress properly. Do not wear loose clothing, dangling objects, or jewelry. Keep your hair, clothing and gloves away from moving parts. Loose clothes, jewelry, or long hair can be caught in moving parts. Air vents on the tool often cover moving parts and should be avoided.
- Wear the proper personal protective equipment when necessary. Use ANSI Z87.1 compliant safety goggles (not safety glasses) with side shields, or when needed, a face shield. Use a dust mask in dusty work conditions. Also use non-skid safety shoes, hardhat, gloves, dust collection systems, and hearing protection when appropriate. This applies to all persons in the work area.
- Do not overreach. Keep proper footing and balance at all times.
- Remove keys or wrenches before connecting the tool to an air supply, power supply, or turning on the tool. A wrench or key that is left attached to a rotating part of the tool may cause personal injury.
- Secure the work with clamps or a vise instead of your hand when practical. This safety precaution allows for proper tool operation using both hands.

⚠CAUTION

BREAKER HAMMER KIT WITH CART USE AND CARE

- Do not force the demolition hammer. Products are safer and do a better job when used in the manner for which they are designed. Plan your work, and use the correct product for the job.
- Check for damaged parts before each use. Carefully check that the product will operate properly and perform its intended function. Replace damaged or worn parts immediately. Never operate the product with a damaged part.
- Do not use a product with a malfunctioning switch. Any power tool that cannot be controlled with

the power switch is dangerous and must be repaired by an authorized service representative before using.

- Disconnect the power/air supply from the product and place the switch in the locked or off position before making any adjustments, changing accessories, or storing the tool. Such preventive safety measures reduce the risk of starting the tool accidentally.
- Store the demolition hammer when it is not in use. Store it in a dry, secure place out of the reach of children. Inspect the tool for good working condition prior to storage and before re-use.
- Use only accessories that are recommended by the manufacturer for use with your product. Accessories that may be suitable for one product may create a risk of injury when used with another tool. Never use an accessory that has a lower operating speed or operating pressure than the tool itself.
- Keep guards in place and in working order. Never operate the product without the guards in place.
- Do not leave the tool running unattended.

Specific Operation Warnings

⚠WARNING

- To reduce the risk of injury, always wear eye protection
- Wear ear protection when using the hammer. Exposure to noise can cause hearing loss.
- Wear heavy duty anti-vibration gloves.
- Be sure the bit is secured in place before operation.
- Hold power tools by insulated gripping surfaces, when performing an operation where the cutting tool may contact hidden wiring or its own cord.
- When drilling or screwing into walls, ceilings, etc., make sure beforehand that you will not damage any hidden electric cables. During this work you should not touch any metal parts of the machine; only touch the machine by the plastic housing.
- Always be sure you have a firm footing.
- Hold the hammer firmly with both hands.
- Be sure no one is below you when using the tool in high locations.
- Do not point the tool at anyone in the area when operating. The bit could fly out and seriously injure someone.
- Burn hazard. Do not touch the bit or parts close to the bit immediately after operation; they will be extremely hot.

Grounding

⚠WARNING

- This machine must be grounded while in use to protect the operator from electrical shock. This unit is equipped with an electrical cord that has an equipment grounding conductor and a

grounding plug. The plug **MUST** be plugged into a matching receptacle that is properly installed and grounded in accordance with ALL local codes and ordinances.

- **DO NOT MODIFY THE PROVIDED PLUG.** If it will not fit the receptacle, have the proper receptacle installed by a qualified electrician.
- **CHECK** with a qualified electrician or service person if you do not completely understand the grounding instructions, or if you are not sure the tool is properly grounded.

Grounded Tools: Tools with 3-Prong Plugs

Tools marked with **Grounding Required** have a 3-wire cord and 3-prong grounding plug. The plug must be connected to a properly grounded outlet. If the tool should electrically malfunction or break down, grounding provides a low resistance path to carry electricity away from the user, reducing the risk of electric shock. (See Figure A.)

The grounding prong in the plug is connected through the green wire inside the cord to the grounding system in the tool. The green wire in the cord must be the only wire connected to the tool's grounding system and must never be attached to an electrically live terminal.

Your tool must be plugged into an appropriate outlet, properly installed and grounded in accordance with all codes and ordinances. The plug and outlet should look like those in the following illustration.

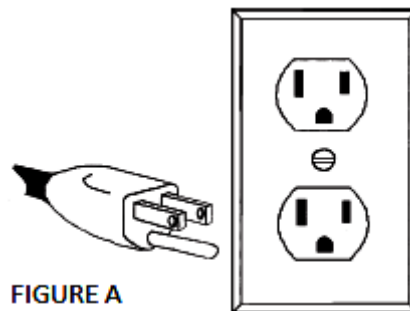


FIGURE A

Double Insulated Tools: Tools with Two-Prong Plugs

Tools marked **Double Insulated** do not require grounding. They have a special double insulation system which satisfies OSHA requirements and complies with the applicable standards of Underwriters Laboratories, Inc., the Canadian Standard Association, and the National Electrical Code. (See Figure B.)

Double insulated tools may be used in either of the 120 volt outlets shown in the following illustration.

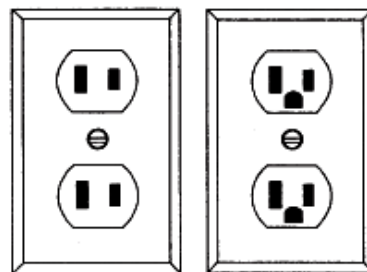


FIGURE B

Extension Cords

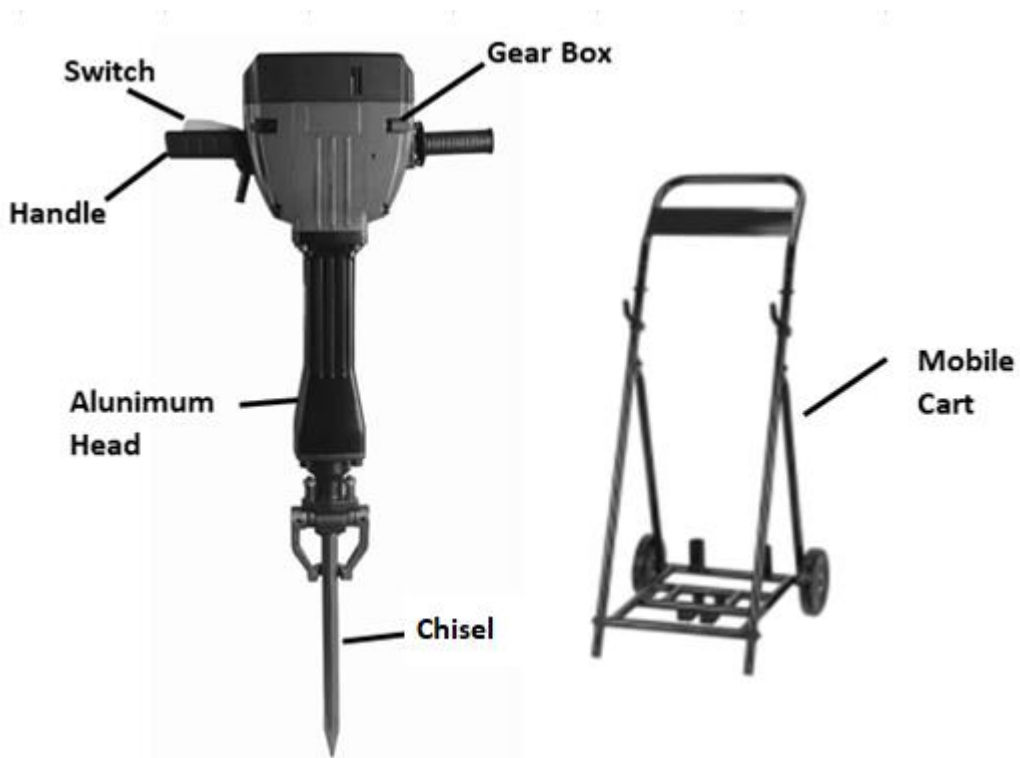
⚠WARNING

- **USE A PROPER EXTENSION CORD.** Make sure your extension cord is in good condition. When using an extension cord, be sure to use one heavy enough to carry the current your product will draw. An undersized cord will cause a drop in line voltage, resulting in loss of power and cause overheating.
- Be sure your extension cord is properly wired and in good condition. Always replace a damaged extension cord or have it repaired by a qualified person before using it. Protect your extension cords from sharp objects, excessive heat and damp or wet areas.
- Grounded tools require a 3-wire extension cord. Double Insulated tools can use either a 2- or 3-wire extension cord.
- As the distance from the supply outlet increases, you must use a heavier gauge extension cord. Using extension cords with inadequately sized wire causes a serious drop in voltage, resulting in loss of power and possible tool damage.
- The smaller the wire's gauge number, the greater the capacity of the cord. For example, a 14-gauge cord can carry a higher current than a 16-gauge cord. Minimum extension cord wire size is shown in the following table:

Minimum Wire Size Of Extension Cords				
Nameplate AMPS	Cord Length			
	25'	50'	100'	150'
0-6	18 AWG	16 AWG	16 AWG	14 AWG
6-10	18 AWG	16 AWG	14 AWG	12 AWG
10-12	16 AWG	16 AWG	14 AWG	12 AWG
12-16	14 AWG	12 AWG	NOT RECOMMENDED	

- When using more than one extension cord to make up the total length, make sure each cord contains at least the minimum wire size required.
- If you are using one extension cord for more than one tool, add the nameplate amperes and use the sum to determine the required minimum cord size.
- If you are using an extension cord outdoors, make sure it is marked with the suffix **W-A** (**W** in Canada) to indicate it is acceptable for outdoor use.
- Make sure your extension cord is properly wired and in good electrical condition. Always replace a damaged extension cord or have it repaired by a qualified electrician before using it.
- Protect your extension cords from sharp objects, excessive heat, and damp or wet areas.

Main Parts of Breaker Hammer Kit with Cart



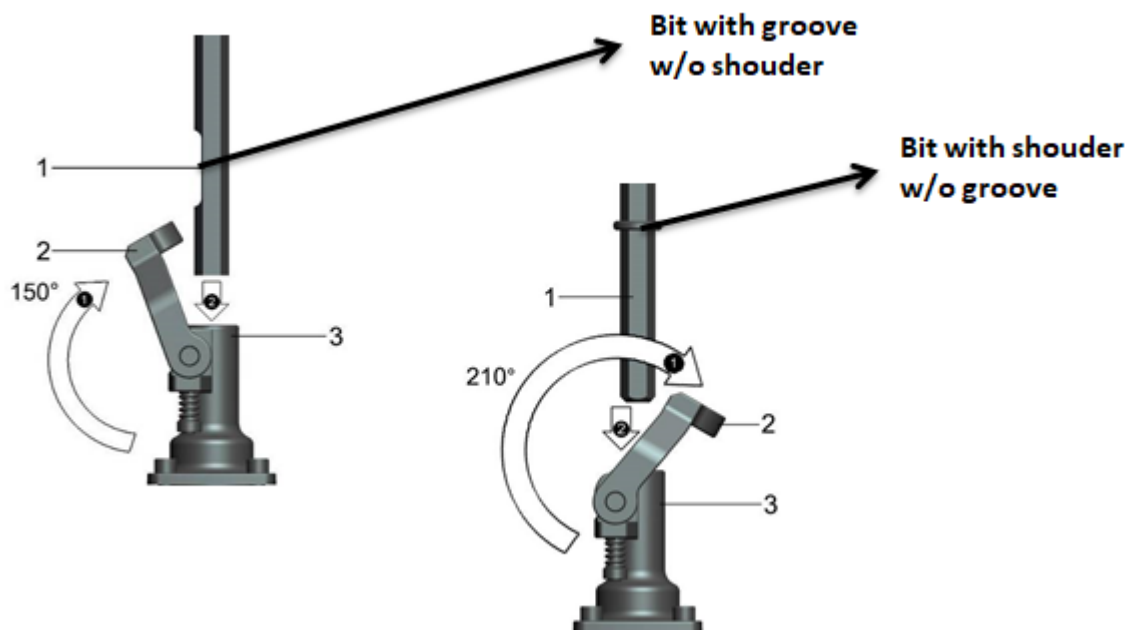
Subassembly
Gear Box
Aluminum Head
Handle
Switch
Chisel
Mobile Cart

Assembly Instructions

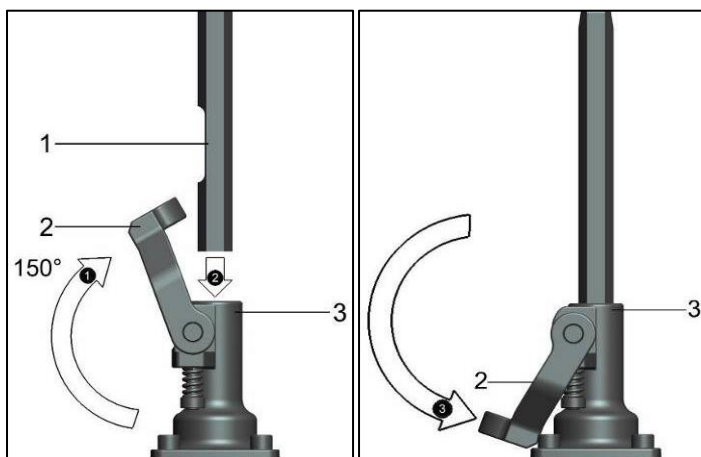
⚠WARNING

- Unplug the demolition hammer.
- Always wear gloves when changing accessories. Skin may become exposed to extreme heat during operation.
- If the chisel doesn't slide in easily, apply grease to the loading end of it.

Assembling the Bit without a Shoulder (with groove)



1. Extend lock part 2 to a 150° position and insert bit 1 into holder 3.
2. Extend lock part 2 by pulling back. Pull bit 1 to be sure it is locked.

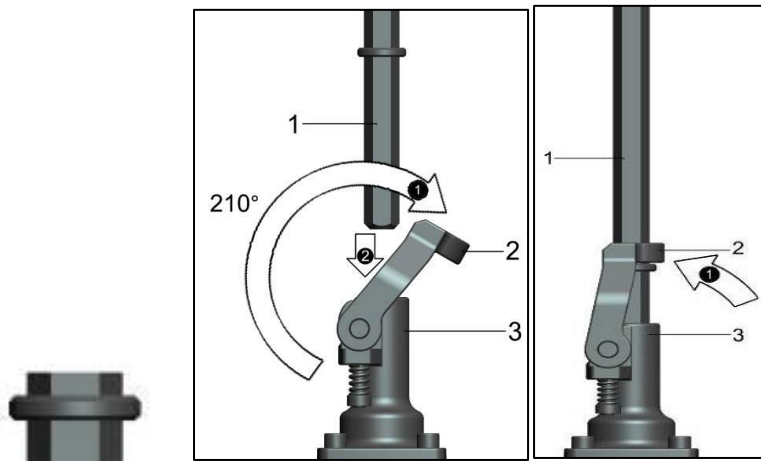


Assembling a Bit with a Shoulder

1. Extend lock part 2 to a 210° position. Insert bit 1 into holder 3.
2. Extend lock part 2 to a 180° position and lock the bit.

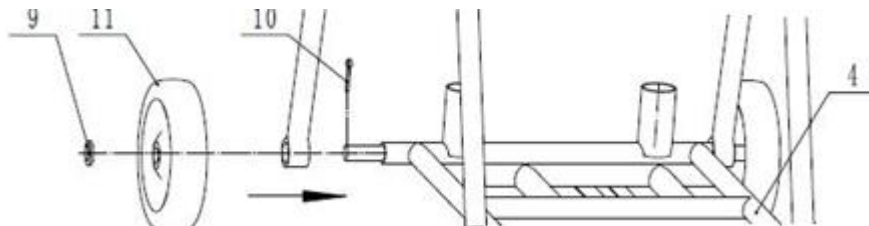
Note: The shoulder position should be between lock part 2 and holder 3.

3. Extend lock part 2 and pull bit 1 to ensure that it was locked.

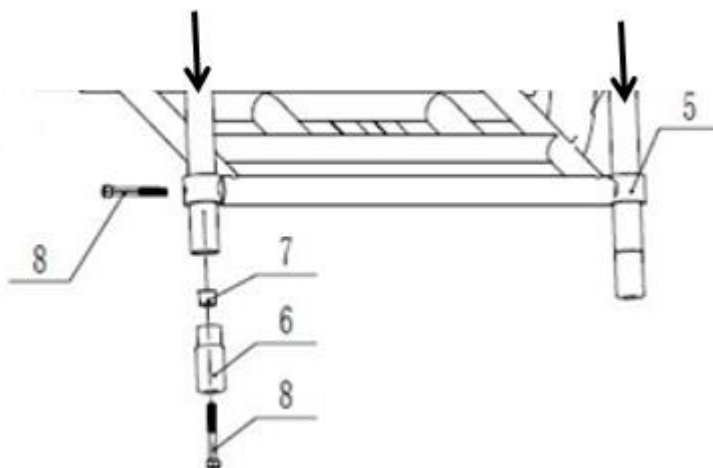


Assembling the Cart

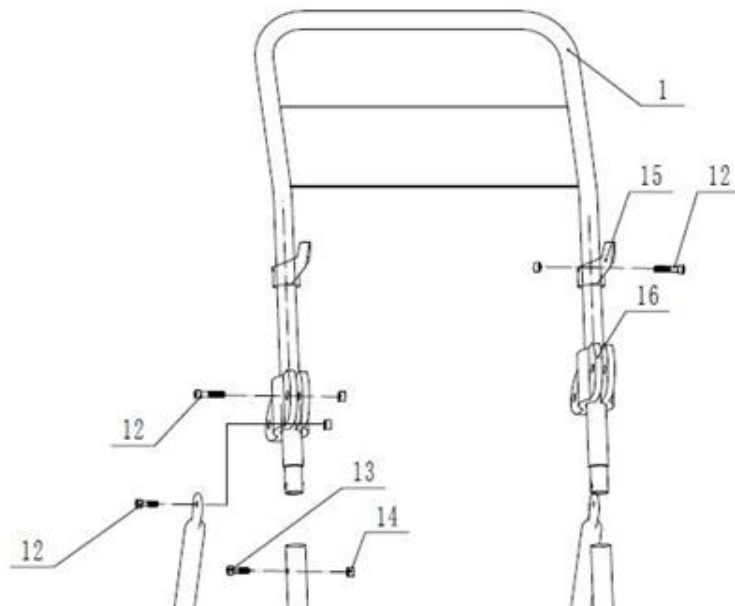
1. Slide the wheel (11) on to the bottom support (4).



2. Insert the main poles (2) into the connecting bar (5) and add the plastic feet (6).



- Slide the hand holder (1) to the main poles (2) and attach the side poles (3) to the clamp piece (16).



Before Each Use

⚠WARNING

- Be sure the bit is secured in place before operation.
- When drilling or screwing into walls, ceilings, etc., make sure beforehand that you will not damage any hidden electric cables. During this work you should not touch any metal parts of the machine; only touch the machine by the plastic housing.
- Be sure no one is below you when using the hammer in high locations.
- Always remove the plug from the power source before installing or removing a bit or accessory from the chuck.

Operating Instructions

⚠WARNING

- To reduce the risk of injury, always wear eye protection
- Wear ear protection when using the hammer. Exposure to noise can cause hearing loss.
- Wear heavy duty anti-vibration gloves.
- Be sure the bit is secured in place before operation.
- Hold power tools by insulated gripping surfaces, when performing an operation where the cutting tool may contact hidden wiring or its own cord.
- Always be sure you have a firm footing.
- Hold the hammer firmly with both hands.

- Do not point the hammer at anyone in the area when operating. The bit could fly out and seriously injure someone.
- Burn hazard. Do not touch the bit or parts close to the bit immediately after operation; they will be extremely hot.
- Use only well-sharpened bits that are in good condition and appropriate to task.
- To prevent the bit from jamming, keep the motor running when pulling the bit out of a completed hole.

Switch Operation

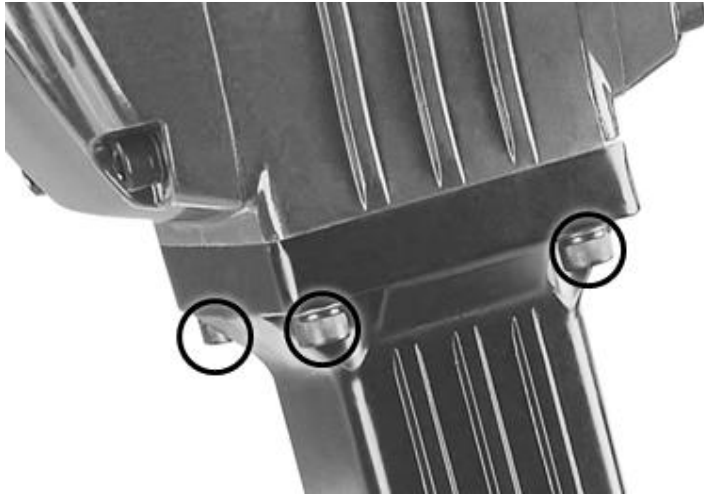
- To turn the switch ON, press the 1 button.
- To turn the switch OFF, release the 2 button.



Note: Sometimes the demolition hammer does not begin striking even when the motor is running because the oil inside has become too thick. If the demolition hammer is used at a low temperature, or it is used after a long idle time, it needs to run for a little over 5 minutes to warm up.

Grease and Oil Filling

1. Using a 12mm Hex head wrench (NOT included), loosen the 4 screws between the aluminum head and the gear box.



2. Disassemble the aluminum head, cylinder, and piston.



3. Clean the inside of aluminum head. It must be free of metal chips and granular dust. Also, clean the piston and the cylinder.

Note on Cleaning: Clean both the inside and outside of the cylinder, especially the inside. It must be free of metal chips and granular dust. If necessary, use gasoline to clean. Clean the surface of the piston. If necessary, disassemble the O-ring and clean the piston with gasoline. At the same time, check the condition of the O-ring. If the outside diameter is less than the piston, replace the O-ring (#56) to ensure proper performance.



4. Using the oil bottle (#108), fill the aluminum head with grease. Make sure the aluminum head inside is clean before filling.



Note: There are 4 grooves in the aluminum head. Fill all 4 grooves with .53 oz. of grease, for a total of 2.12 oz. of grease.

5. Fill the cylinder with 0.42 oz. of grease. Be sure they cylinder is clean before filling.



6. Reassembly
 - a) Assemble the piston into the cylinder. Make sure the O-ring has been included.
 - b) Assemble the cylinder into the aluminum head.

- c) Tighten the 4 inner Hex head screws being careful not to forget the spring washer. If tightening the screws with an electric or pneumatic driver, check the torque of the screw with a 12mm wrench (not included) to make sure it's tightened properly.
- d) If necessary, put glue on the screw and screw it in.



After Each Use

⚠WARNING

- Do not remove the chisel until it has cooled.
- Store the tool in dry and clean place.
- Keep away from children.

Maintenance

⚠WARNING

- Do not use solvents to clean the hammer.
- Carbon brushes are consumable parts. When they become worn they can cause problems with the motor. Use an auto-stop carbon brush which will stop automatically when the carbon brush is worn, then replace the brushes.
- If the supply cord of this power tool is damaged, it must be replaced and only by a qualified service technician.

Maintain the demolition hammer by adopting a program of conscientious repair and maintenance in accordance with the following recommended procedures. It is recommended that the general condition of any tool be examined before it is used. Keep your tool in good repair. Keep handles dry, clean, and free from oil and grease. The following chart is based on a normal operation schedule.

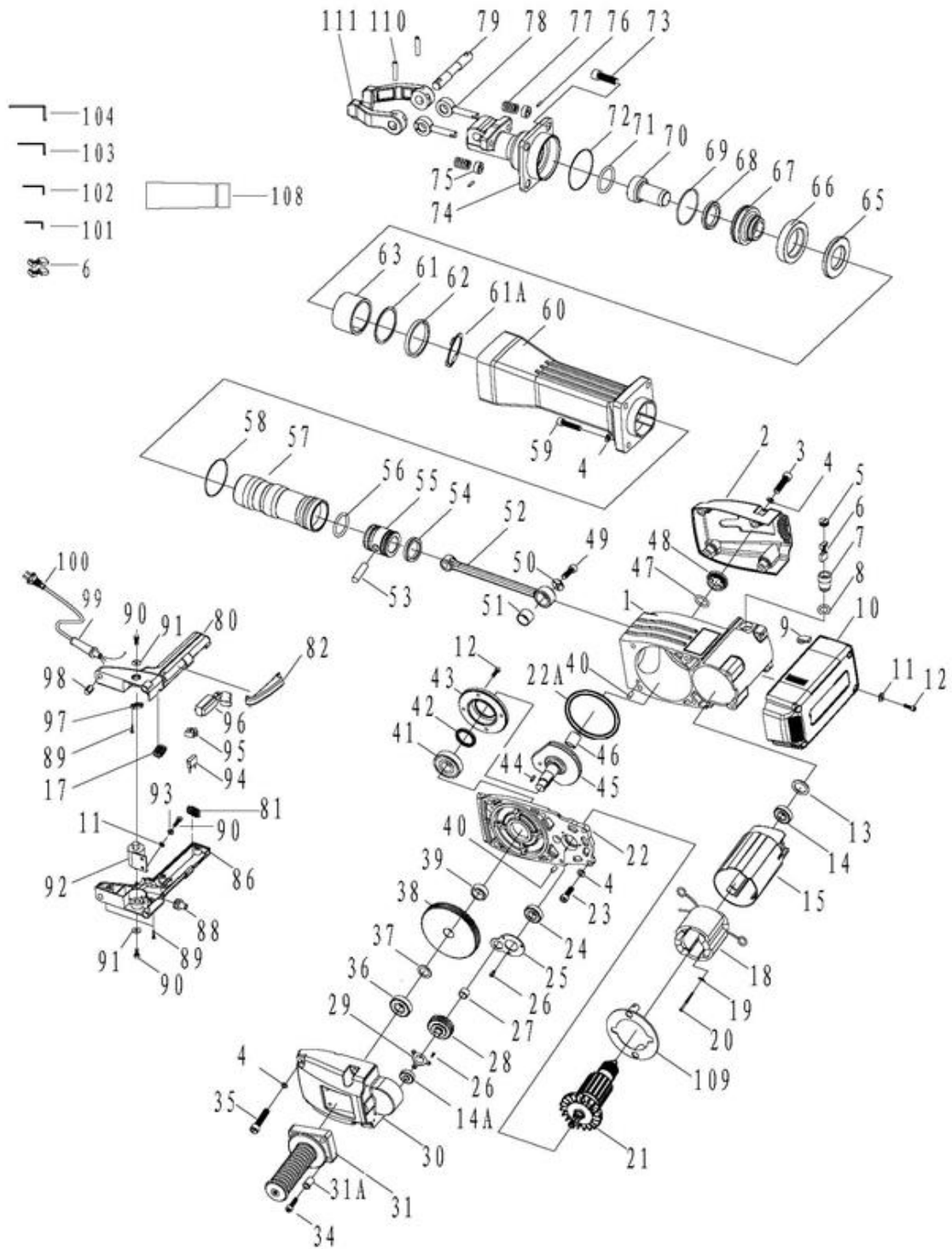
Maintenance Interval	Maintenance Point
Daily before operating	Keep the vents clear of dust and debris. Inspect the cord and have it replaced by an authorized technician.
After the 60 hours of use	Check the brushes and replace as needed. If you replace the brushes, run the hammer without load for 15 minutes to seat the brushes properly.

Troubleshooting

Use the table below to troubleshoot problems before contacting service personnel or your local dealer. If the problem continues after troubleshooting, call your local dealer for assistance.

Failure	Possible Cause	Corrective Action
Hammer will not start.	There has been a power supply interruption.	Check the power supply or use another.
	Cable or plug is out of order.	Have an electrician check the cable or replace it if necessary.
	Carbon brush is worn out.	Take the hammer to the service department to change the carbon brush.
Not enough impact.	The hammer needs to warm up.	Allow the hammer to warm up.
	The grease is worn out.	Add the grease.
Not enough power.	The hammer does not function correctly.	Adjust the speed control to correct position.

Hammer Parts Diagram



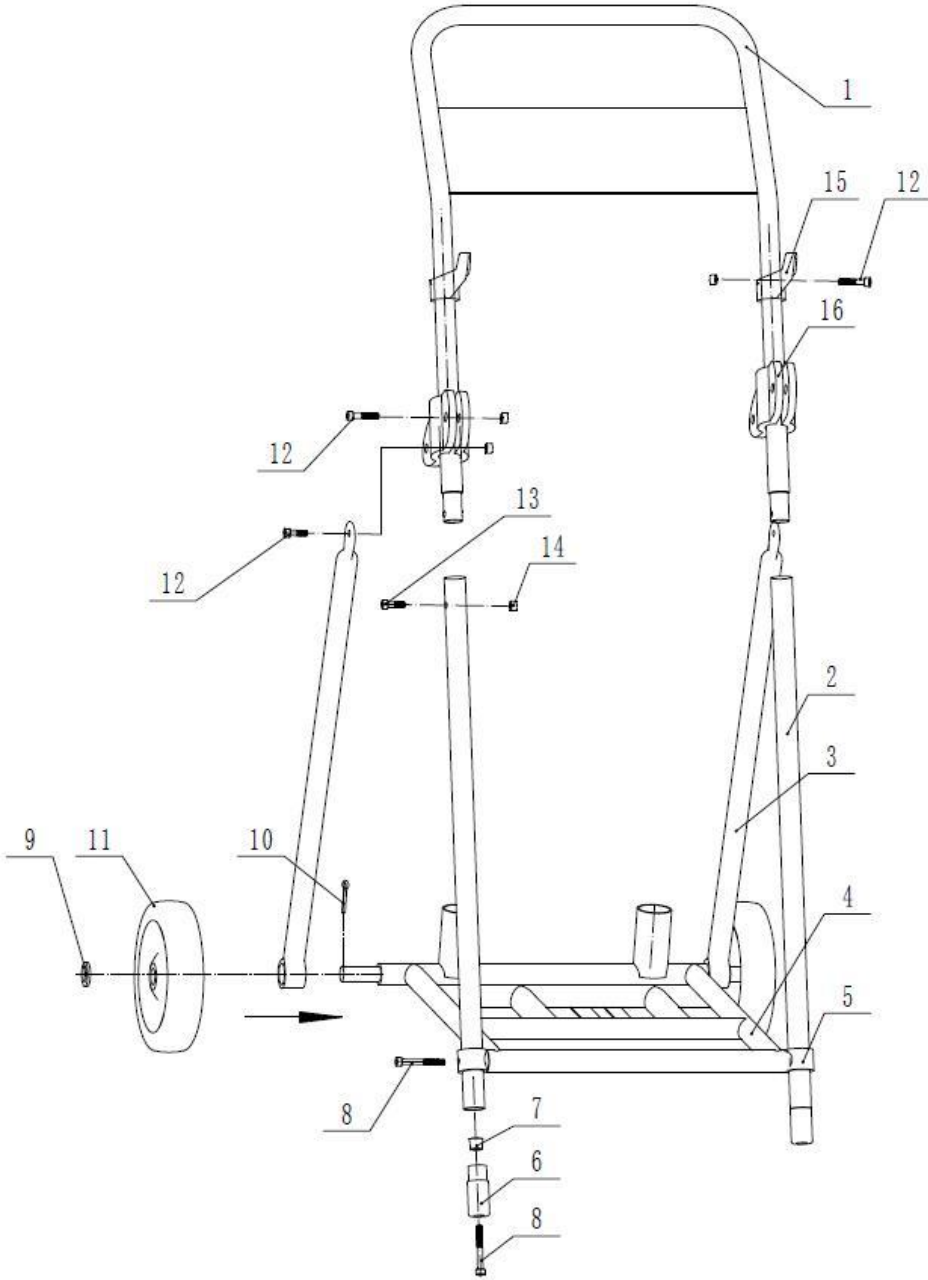
Hammer Parts List

Reference	Part Description	Quantity
1	Housing Assembly	1
2	Side Cover	1
3	Hex Socket Bolt M10×35	4
4	Ø10 Flat Washer	14
5	Brush Cap	2
6	Carbon Brush	2
7	Brush Holder	2
8	Insulation Washer	2
9	Cap Rubber	2
10	Fan Cover	1
11	Ø6×Ø10.5 Flat Washer	6
12	Hex Socket Bolt M6×20	8
13	Ø32 Urethane Washer	1
14	Ball Bearing	1
14A	Ball Bearing 6201 2Rs C3	1
15	Stator Assembly	1
17	Coil	1
18	Stator 110-120V	1
19	Ø5 Flat Washer	2
20	Tapping Screw St4.8×85	2
21	Armature 110-120V	1
22	Inner Cover	1
22A	O-Ring Ø143×Ø2	1
23	Hex Socket Bolt M10×30	2
24	Ball Bearing 6203 2Rs C3	1
25	Bearing Bracket	1
26	Hex Socket Bolt M5×12	6
27	Needle Bearing Bk1312	1
28	Counter Gear	1
29	6201 2Rs C3 Bearing Cover	1
30	Gear Cover	1
31	Secondary Handle	1
31A	Secondary Handle Steel Bushing	4
34	Hex Socket Bolt M8×30	4
35	Hex Socket Bolt M10×55	4
36	Ball Bearing 6204 2Rz/Zzc2	1
37	Big Gear Partition Washer	1
38	Final Gear	1
39	Distance Ring	1
40	Pin Ø8×14	2
41	Ball Bearing 6305 RS	1
42	Oil Seal Ring Ø34×Ø48×5	1
43	Bearing Cover	1
44	Key 4×18	2
45	Crank Shaft	1
46	Crank Shaft Ring	1
47	O Ring Ø37×Ø2	1
48	Oil Tank Cover	1
49	Hex Socket Bolt M10×1.25×35	1
50	Crank Washer	1
51	Needle Bearing Nk2220	1

Reference	Part Description	Quantity
52	Connecting Rod Assembly	1
53	Piston Pin	1
54	Y-Type Sealing Ring $\varnothing 45.7 \times \varnothing 55.2 \times 7$	1
55	Piston	1
56	O-Ring $\varnothing 46 \times \varnothing 5.3$	1
57	Ram	1
58	O-Ring $\varnothing 82 \times \varnothing 2$	1
59	Hex Socket Bolt M10 \times 45 (12.9)	4
60	Aluminum Housing	1
61	Washer	1
61A	Protective Support for Urethane Ring	1
62	Big Urethane Ring	1
63	Mouth	1
65	Locking Ring	1
66	Small Urethane Ring	1
67	Shank Sleeve	1
68	Y-Type Sealing Ring $\varnothing 46.2 \times \varnothing 33 \times 6$	1
69	O-Ring $\varnothing 78 \times \varnothing 3$	1
70	Impact Hammer	1
71	O-Ring $\varnothing 55 \times \varnothing 5.3$	1
72	O-Ring $\varnothing 90 \times \varnothing 2$	1
73	Hex Socket Bolt M14 \times 40 (12.9)	4
74	Chisel Chuck	1
75	Lock Lever Spring Cap	2
76	Needle Roller	2
77	Lock Lever Spring	2
78	Lock Lever Ring	2
79	Lock Lever Axle	1
80	Main Handle Cover	1
81	Trigger Spring	1
82	Trigger	1
86	Main Handle	1
88	Wire Cover	1
89	Screw St4.2 \times 18	6
90	Hex Socket Bolt M6 \times 15	4
91	$\varnothing 6 \times \varnothing 18$ Flat Washer	2
92	Handle Support	1
93	$\varnothing 6$ Spring Washer	2
94	Capacitor 0.33 μ f	1
95	Rivet	2
96	Switch	1
97	Cord Clip	1
98	Spring Pole	4
99	Cord Armor	1
100	Cord	1
101	5Mm Hex Key	1
102	6Mm Hex Key	1
103	8Mm Hex Key	1
104	12Mm Hex Key	1
105	Wrench for Tank Cover	1
108	Oil Bottle	1
109	Fan Guide	1
110	Spring Column Pin $\varnothing 8 \times 40$	2

Reference	Part Description	Quantity
111	Lock Lever	1

Cart Parts Diagram



Cart Parts List

Reference	Part Description	Quantity
1	Hand Holder	1
2	Main Pole	2
3	Side Pole	2
4	Bottom Support	1
5	Connecting	2
6	Plastic feet	2
7	Powder Piece	4
8	Hex .Socket Bolt M6x50	4
9	Φ16 Flat Washer	2
10	Split Pin Φ3x37	2
11	Wheel	2
12	Hex Socket Bolt M6x25	6
13	Hex Socket Bolt M6x30	2
14	M6 Anti-Loosing Nut	8
15	Lifting Shelf	2
16	Clamp Piece	4

Replacement Parts

- For replacement parts and technical questions, please call Customer Service at **1-800-222-5381**.
- Not all product components are available for replacement. The illustrations provided are a convenient reference to the location and position of parts in the assembly sequence.
- When ordering parts, the following information will be required: item description, item model number, item serial number/item lot date code, and the replacement part reference number.
- The distributor reserves the rights to make design changes and improvements to product lines and manuals without notice.

Limited Warranty

Northern Tool and Equipment Company, Inc. ("We" or "Us") warrants to the original purchaser only ("You" or "Your") that the Ironton product purchased will be free from material defects in both materials and workmanship, normal wear and tear excepted, for a period of **one year** from date of purchase. The foregoing warranty is valid only if the installation and use of the product is strictly in accordance with product instructions. There are no other warranties, express or implied, including the warranty of merchantability or fitness for a particular purpose. If the product does not comply with this limited warranty, Your sole and exclusive remedy is that We will, at our sole option and within a commercially reasonable time, either replace the product or product component without charge to You or refund the purchase price (less shipping). This limited warranty is not transferable.

Limitations on the Warranty

This limited warranty does not cover: (a) normal wear and tear; (b) damage through abuse, neglect, misuse, or as a result of any accident or in any other manner; (c) damage from misapplication, overloading, or improper installation; (d) improper maintenance and repair; and (e) product alteration in any manner by anyone other than Us, with the sole exception of alterations made pursuant to product instructions and in a workmanlike manner.

Obligations of Purchaser

You must retain Your product purchase receipt to verify date of purchase and that You are the original purchaser. To make a warranty claim, contact Us at 1-800-222-5381, identify the product by make and model number, and follow the claim instructions that will be provided. The product and the purchase receipt must be provided to Us in order to process Your warranty claim. Any returned product that is replaced or refunded by Us becomes our property. You will be responsible for return shipping costs or costs related to Your return visit to a retail store.

Remedy Limits

Product replacement or a refund of the purchase price is Your sole remedy under this limited warranty or any other warranty related to the product. We shall not be liable for: service or labor charges or damage to Your property incurred in removing or replacing the product; any damages, including, without limitation, damages to tangible personal property or personal injury, related to Your improper use, installation, or maintenance of the product or product component; or any indirect, incidental or consequential damages of any kind for any reason.

Assumption of Risk

You acknowledge and agree that any use of the product for any purpose other than the specified use(s) stated in the product instructions is at Your own risk.

Governing Law

This limited warranty gives You specific legal rights, and You also may have other rights which vary from state to state. Some states do not allow limitations or exclusions on implied warranties or incidental or consequential damages, so the above limitations may not apply to You. This limited warranty is governed by the laws of the State of Minnesota, without regard to rules pertaining to conflicts of law. The state courts located in Dakota County, Minnesota shall have exclusive jurisdiction for any disputes relating to this warranty.



Distributed by:

Northern Tool & Equipment Company, Inc.

Burnsville, Minnesota 55306

www.northerntool.com

Made in China