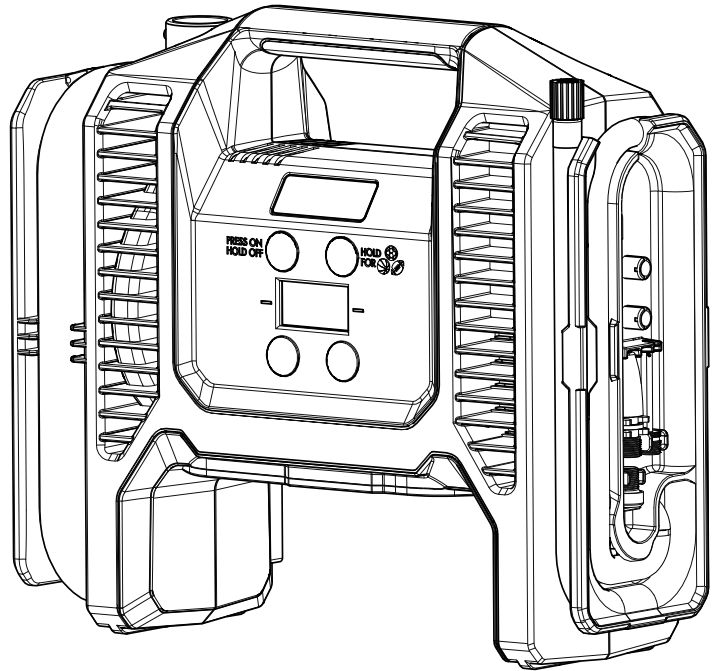




**OPERATOR'S MANUAL  
 MANUEL D'UTILISATION  
 MANUAL DEL OPERADOR**

**18 VOLT INFLATOR/DEFLATOR  
 GONFLEUR-DÉGONFLEUR 18V  
 INFLADOR/DESINFLADOR  
 DE 18 VOLTIOS  
 P747**



**TABLE OF CONTENTS**

\*\*\*\*\*

- General Safety Rules .....2-3
- Specific Safety Rules..... 3
- Symbols ..... 4
- Features ..... 5
- Assembly ..... 5
- Operation .....5-8
- Maintenance ..... 8
- Illustrations..... 10-12
- Parts Ordering and Service..... Back page

**TABLE DES MATIÈRES**

\*\*\*\*\*

- Règles de sécurité générales .....2-3
- Règles de sécurité particulières.....3-4
- Symboles ..... 5
- Caractéristiques ..... 6
- Assemblage ..... 6
- Utilisation .....6-9
- Entretien ..... 9
- Illustrations ..... 10-12
- Commande de pièces et réparation ..... Page arrière

**ÍNDICE DE CONTENIDO**

\*\*\*\*\*

- Reglas de seguridad generales .....2-3
- Reglas de seguridad específicas .....3-4
- Símbolos ..... 5
- Características ..... 6
- Armado ..... 6
- Funcionamiento .....6-9
- Mantenimiento ..... 9
- Ilustraciones.....10-12
- Pedidos de piezas y servicio..... Pág. posterior



**WARNING:**

To reduce the risk of injury, the user must read and understand the operator's manual before using this product.



**AVERTISSEMENT :**

Pour réduire les risques de blessures, l'utilisateur doit lire et veiller à bien comprendre le manuel d'utilisation avant d'utiliser ce produit.



**ADVERTENCIA:**

Para reducir el riesgo de lesiones, el usuario debe leer y comprender el manual del operador antes de usar este producto.

**SAVE THIS MANUAL  
 FOR FUTURE REFERENCE**

**CONSERVER CE MANUEL  
 POUR FUTURE RÉFÉRENCE**

**GUARDE ESTE MANUAL  
 PARA FUTURAS CONSULTAS**

# GENERAL SAFETY RULES

## WARNING!

**READ AND UNDERSTAND ALL INSTRUCTIONS.** Failure to follow all instructions listed below, may result in electric shock, fire and/or serious personal injury.

## WARNING!

When using electric appliances, basic precautions should always be followed, including the following:

## SAVE THESE INSTRUCTIONS

### WORK AREA

- **Keep your work area clean and well lit.** Cluttered benches and dark areas invite accidents.
- **Keep bystanders, children, and visitors away while operating an inflator.** Distractions can cause you to lose control.
- **Operate inflator in an open area at least 18 in. away from any wall or object that could restrict the flow of fresh air to ventilation openings.**

### ELECTRICAL SAFETY

- **To reduce the risk of electrical shock, do not put inflator in water or other liquid.** Do not place or store appliance where it can fall or be pulled into a tub or sink.
- **Use this product only with batteries and chargers listed in tool/appliance/battery pack/charger correlation supplement 987000-432.**

### PERSONAL SAFETY

- **Stay alert, watch what you are doing and use common sense when operating an inflator. Do not use inflator while tired or under the influence of drugs, alcohol, or medication.** A moment of inattention while operating inflator may result in serious personal injury.
- **Dress properly. Do not wear loose clothing or jewelry. Contain long hair. Keep your hair, clothing, and gloves away from moving parts.** Loose clothes, jewelry, or long hair can be caught in moving parts.
- **Do not overreach. Keep proper footing and balance at all times.** Proper footing and balance enable better control of the inflator in unexpected situations.
- **Use safety equipment. Always wear eye protection.** Dust mask, non-skid safety shoes, hard hat, or hearing protection must be used for appropriate conditions.
- **Eye protection is required to guard against flying fasteners and debris which could cause severe eye injury.**
- **Do not wear loose clothing or jewelry. Contain long hair.** Loose clothes, jewelry, or long hair can be drawn into air vents.
- **Do not use on a ladder or unstable support.** Stable footing on a solid surface enables better control of the inflator in unexpected situations.

- **Do not disassemble the inflator.**
- **Do not operate inflator near flammable liquids or in gaseous or explosive atmospheres.** Internal sparks may ignite fumes.
- **Do not store your inflator in a damp or wet location. Do not store in locations where the temperature is less than 50°F or more than 100°F.** Do not store in outside sheds or in vehicles.

### INFLATOR USE AND CARE

- **Check hoses for weak or worn condition before each use, making certain all connections are secure.** Do not use if defect is found. Purchase a new hose or notify an authorized service center for examination or repair.
- **Release all pressures within the system slowly.** Dust and debris may be harmful.
- **Do not use inflator if switch does not turn it on or off.** An inflator that cannot be controlled with the switch is dangerous and must be repaired.
- **Place the switch off position before making any adjustments, changing accessories, or storing the inflator.** Such preventive safety measures reduce the risk of starting the inflator accidentally.
- **Store idle inflators out of reach of children and other untrained persons.** Inflators are dangerous in the hands of untrained users.
- **Check for misalignment or binding of moving parts, breakage of parts, and any other condition that may affect the inflator's operation. If damaged, have the inflator serviced before using.** Many accidents are caused by poorly maintained tools.
- **Use only accessories that are recommended by the manufacturer for your model.** Accessories that may be suitable for one inflator may create a risk of injury when used on another inflator.
- **Keep the inflator and its handle dry, clean and free from oil and grease.** Always use a clean cloth when cleaning. Never use brake fluids, gasoline, petroleum-based products, or any strong solvents to clean your inflator. Following this rule will reduce the risk of loss of control and deterioration of the enclosure plastic.
- **Never point any inflator toward yourself or others.**
- **Keep the exterior of the inflator dry, clean, and free from oil and grease.** Always use a clean cloth when cleaning. Never use brake fluids, gasoline, petroleum-based products, or any strong solvents to clean the unit. Following this rule will reduce the risk of deterioration of the enclosure plastic.
- **Do not exceed the pressure rating of any component in the system.**
- **Protect material lines and air lines from damage or puncture.** Keep hose and power cord away from sharp objects, chemical spills, oil, solvents, and wet floors.

# GENERAL SAFETY RULES

## SERVICE




- **Inflator service must be performed only by qualified repair personnel.** Service or maintenance performed by unqualified personnel may result in a risk of injury.
- **When servicing an inflator, use only identical replacement parts. Follow instructions in the Maintenance section of this manual.** Use of unauthorized parts or failure to follow Maintenance Instructions may create a risk of shock or injury.

# SPECIFIC SAFETY RULES








- **Know your inflator.** Read operator's manual carefully. Learn its applications and limitations, as well as the specific potential hazards related to this tool. Following this rule will reduce the risk of electric shock, fire, or serious injury.
- **Risk of bursting.** Do not operate inflator to result in output pressure greater than marked maximum pressure of item to be inflated. Do not use at pressure greater than 150 PSI.
- **To reduce the risk of electric shock,** do not expose to rain. Store indoors.
- **Inspect unit for cracks, pin holes, or other imperfections that could cause inflator to become unsafe.** Never cut or drill holes in the inflator.
- **Make sure the hose is free of obstructions or snags.** Entangled or snarled hoses can cause loss of balance or footing and may become damaged.
- **Use the inflator only for its intended use. Do not alter or modify the unit from the original design or function.**
- **Always be aware that misuse and improper handling of this inflator can cause injury to yourself and others.**
- **Never leave an inflator unattended with the nozzle attached to the item being inflated.**
- **Do not continue to use a inflator or nozzle that leaks air or does not function properly.**
- **Always disconnect the battery pack before making adjustments, servicing an inflator, or when an inflator is not in use.**
- **Do not attempt to pull or carry the inflator by the hoses.**
- **Always follow all safety rules recommended by the manufacturer of your inflator, in addition to all safety rules for the inflator.** Following this rule will reduce the risk of serious personal injury.
- **Household use only.**
- **Do not use inflator as a breathing device.**
- **Never direct a jet of compressed air toward people or animals. Take care not to blow dust and dirt towards yourself or others.** Following this rule will reduce the risk of serious injury.
- **Protect your lungs.** Wear a face or dust mask if the operation is dusty. Following this rule will reduce the risk of serious personal injury.
- **Do not use this inflator to spray chemicals.** Your lungs can be damaged by inhaling toxic fumes.
- **Check damaged parts. Before further use of the inflator or air tool, a guard or other part that is damaged should be carefully checked to determine that it will operate properly and perform its intended function.**
- **Check for alignment of moving parts, binding of moving parts, breakage of parts, mounting, and any other conditions that may affect its operation. A guard or other part that is damaged should be properly repaired or replaced by an authorized service center.** Following this rule will reduce the risk of shock, fire, or serious injury.
- **Risk of bursting.** Carefully monitor objects during inflation.
- **To reduce the risk of over inflation,** use a reliable pressure gauge periodically during inflation.
- **Never leave the inflator unattended during inflation.**
- **Never block the inflating or deflating outlets while operating.**
- **Do not use a battery pack that is damaged or modified.** Damaged or modified batteries may exhibit unpredictable behavior resulting in fire, explosion or risk of injury.
- **Do not modify or attempt to repair a battery pack that has been damaged.**
- **Do not expose a battery pack or appliance to fire or excessive temperature.** Exposure to fire or temperature above 265°F may cause explosion.
- **Follow all charging instructions and do not charge the battery pack or appliance outside of the temperature range specified in the instructions.** Charging improperly or at temperatures outside of the specified range may damage the battery and increase the risk of fire.
- **Have servicing performed by a qualified repair person using only identical replacement parts.** This will ensure that the safety of the product is maintained.
- **Allow pump to cool** for five (5) minutes after each five (5) minutes of continuous use. Never block the inflating or deflating outlets while operating.
- **Save these instructions.** Refer to them frequently and use them to instruct others who may use this inflator. If you loan someone this inflator, loan them these instructions also.

# SYMBOLS

The following signal words and meanings are intended to explain the levels of risk associated with this product.

| SYMBOL                                                                            | SIGNAL          | MEANING                                                                                                                                                      |
|-----------------------------------------------------------------------------------|-----------------|--------------------------------------------------------------------------------------------------------------------------------------------------------------|
|  | <b>DANGER:</b>  | Indicates a hazardous situation, which, if not avoided, will result in death or serious injury.                                                              |
|  | <b>WARNING:</b> | Indicates a hazardous situation, which, if not avoided, could result in death or serious injury.                                                             |
|  | <b>CAUTION:</b> | Indicates a hazardous situation, that, if not avoided, may result in minor or moderate injury.                                                               |
|                                                                                   | <b>NOTICE:</b>  | (Without Safety Alert Symbol) Indicates information considered important, but not related to a potential injury (e.g. messages relating to property damage). |

Some of the following symbols may be used on this product. Please study them and learn their meaning. Proper interpretation of these symbols will allow you to operate the product better and safer.

| SYMBOL                                                                              | NAME                   | DESIGNATION/EXPLANATION                                                                                                                                                                                                                        |
|-------------------------------------------------------------------------------------|------------------------|------------------------------------------------------------------------------------------------------------------------------------------------------------------------------------------------------------------------------------------------|
|    | Safety Alert           | Indicates a potential personal injury hazard.                                                                                                                                                                                                  |
|    | Read Operator's Manual | To reduce the risk of injury, user must read and understand operator's manual before using this product.                                                                                                                                       |
|   | Eye Protection         | Always wear eye protection with side shields marked to comply with ANSI Z87.1.                                                                                                                                                                 |
|  | Wet Conditions Alert   | Do not expose to rain or use in damp locations.                                                                                                                                                                                                |
|  | Risk of Bursting       | Do not operate inflator to result in output pressure greater than marked maximum pressure of attachment. Do not use at pressure greater than 150 PSI.                                                                                          |
|  | Recycle Symbol         | This product uses lithium-ion (Li-ion) batteries. Local, state or federal laws may prohibit disposal of batteries in ordinary trash. Consult your local waste authority for information regarding available recycling and/or disposal options. |
|  | Hot Surface            | To reduce the risk of injury or damage, avoid contact with any hot surface.                                                                                                                                                                    |
| V                                                                                   | Volts                  | Voltage                                                                                                                                                                                                                                        |
| min                                                                                 | Minutes                | Time                                                                                                                                                                                                                                           |
| ≡                                                                                   | Direct Current         | Type or a characteristic of current                                                                                                                                                                                                            |
| $n_0$                                                                               | No Load Speed          | Rotational speed, at no load                                                                                                                                                                                                                   |
| .../min                                                                             | Per Minute             | Revolutions, strokes, surface speed, orbits etc., per minute                                                                                                                                                                                   |

# FEATURES

## PRODUCT SPECIFICATIONS

Motor ..... 18 Volt DC  
High Pressure Hose Length ..... 24 in.  
Low Pressure Hose Length ..... 12 in.

Gauges ..... Digital Readout (PSI)  
Maximum Pressure ..... 150 PSI

# ASSEMBLY

### **WARNING:**

Do not use this product if it is not completely assembled or if any parts appear to be missing or damaged. Use of a product that is not properly and completely assembled or with damaged or missing parts could result in serious personal injury.

### **WARNING:**

Do not attempt to modify this product or create accessories or attachments not recommended for use with this product. Any such alteration or modification is misuse and could result in a hazardous condition leading to possible serious personal injury.

If any parts are damaged or missing, please call 1-800-525-2579 for assistance.

# OPERATION

### **WARNING:**

Do not allow familiarity with this product to make you careless. Remember that a careless fraction of a second is sufficient to inflict serious injury.

### **WARNING:**

Do not leave items to be inflated unattended while inflator is in use. These items can burst and could cause serious injury.

### **WARNING:**

Always remove battery pack from the tool when you are assembling parts, making adjustments, cleaning, or when not in use. Removing battery pack will prevent accidental starting that could cause serious personal injury.

### **WARNING:**

The pressure gauge on this unit is not calibrated. Tire pressure must be checked using a reliable measuring device before driving a vehicle with tires inflated with this unit. Driving a vehicle with improperly inflated tires could result in serious injury.

### **WARNING:**

Always wear eye protection with side shields marked to comply with ANSI Z87.1. Failure to do so could result in objects being thrown into your eyes resulting in possible serious injury.

### **NOTICE:**

The inflator is not designed for continuous use. For every ten minutes of inflator use, ten minutes of cool down time is required.

### **WARNING:**

Do not use any attachments or accessories not recommended by the manufacturer of this tool. The use of attachments or accessories not recommended can result in serious personal injury.

### **NOTICE:**

The inflator is capable of inflating to 150 PSI. To avoid over inflation, carefully follow instructions on items to be inflated. To avoid product damage, never exceed recommended pressures.

# OPERATION

## APPLICATIONS

You may use this inflator for the purposes listed below:

- Inflating high pressure items like motorcycle, car, and bicycle tires
- Inflating and deflating low pressure items like air mattresses, rafts and floats

**NOTE:** The inflator is not designed for commercial application.

## INSTALLING/REMOVING BATTERY PACK

See Figure 1, page 10.

### To install:

- Place the battery pack in the tool. Align the raised rib on the battery pack with groove in the battery port.
- Make sure the latches on each side of the battery pack snap in place and that the battery pack is secured in the tool before beginning operation.

### To remove:

- Depress the latches on both sides of the battery pack to release the battery pack and remove it from the tool.

For complete charging instructions, see the operator's manuals for your battery pack and charger.

## DUAL HOSES

See Figures 2 - 3, page 10.

### WARNING:

Improperly attached hoses or accessories can become detached under pressure and cause serious injury. Possible air leaks can cause faulty pressure readings. Make sure all connections are tightly secured.

The inflator has two hoses for two types of inflation. The high pressure hose is for inflating high pressure items like tires and sports balls. The low pressure hose is designed for inflating or deflating low pressure, high volume items like air rafts, mattresses, and floats.

**NOTE:** Pressure gauge and preset features are relative only to high pressure hose applications.

## MODE/POWER BUTTON

See Figure 4, page 11.

- Press the mode/power button to turn on the unit.
- To turn off the unit, press and hold the mode/power button until the light turns off, then release the button.

## AUTOMATIC SHUTOFF

The digital gauge will remain on for up to five minutes. To manually shut off, press and hold the mode/power button until the light turns off, then release the button.

## DIGITAL GAUGE

See Figure 5, page 11.

The digital gauge is multifunctional, serving as a pressure gauge and monitoring the amount of pressure being applied to the item being inflated. Pressure is indicated by PSI.

- Press the mode/power button to turn on the digital gauge. The unit will start up in high pressure mode by default.

**NOTE:** Make sure digital gauge is set at 0 before use. If gauge reads "Err" or needs to be reset to 0, press and hold both the mode/power button and start/stop button at the same time for approximately 5 seconds.

- Press the mode/power button again to select the low pressure mode. Pressing the button one more time selects high pressure mode. The selected mode is indicated by the arrow on the left or right side of the display. Modes can be selected back and forth by pressing the mode/power button.

**NOTE:** After a high pressure preset has been set, the pressure setting stays in the memory until the unit is turned off. To recall the previous pressure setting after inflation, press the (+) or (-) button.

## INFLATING WITH THE LOW PRESSURE HOSE

See Figure 6, page 11.

The low pressure hose is used to inflate low pressure items, such as air mattresses, pools, and floats.

**NOTE:** A pinch valve adaptor comes as part of the small inflatable nozzle assembly that is attached to the end of the low pressure hose. The pinch valve adaptor is used for items that have a smaller air opening or pinch valve. Insert pinch valve adaptor into pinch valve, insuring that the tip of the adaptor is inserted past the inner "flap" inside the valve. When inflating, ensure that the tip is not blocked during inflation.

- Align the slots in the hose with the pins in the port on the top of the inflator.
- Turn the hose clockwise as far as it will turn.
- Press the mode/power button to turn on the digital gauge. The unit will start up in the high pressure mode by default.
- Press the mode/power button again to select low pressure mode.
- Press the start/stop button to start inflating.
- When the desired pressure is reached, press the start/stop button to stop inflating.
- Remove the hose by turning it counterclockwise as far as it will turn and removing it from the inflator.
- Store the hose in the hose wrap on the left side of the unit.

# OPERATION

## **NOTICE:**

Always leave low pressure hose free of obstructions and and remove the pinch valve adaptor when not in use. Overheating could occur if low pressure hose is blocked.

## **DEFLATING WITH THE LOW PRESSURE HOSE**

See Figure 7, page 11.

The low pressure hose, when placed in the deflator port, can be used to remove air from inflated items.

- Place the hose inside the deflator port.
- Press the mode/power button on the side of the inflator to turn on the digital gauge.
- Press the mode/power button again to select the low pressure mode.
- Press the start/stop button to start deflating.
- When the item has been deflated, press the start/stop button to stop deflating.
- Remove the hose by pulling it from the deflator port.
- Store the hose in the hose wrap on the left side of the unit.

## **INFLATING WITH THE HIGH PRESSURE HOSE**

See Figure 8, page 11.

The air chuck on the high pressure hose can be used without adaptors to inflate tires or with any application that has a valve stem that fits the air chuck opening.

**NOTE:** When inflating items of 10 PSI or less, inflate in short bursts and check after each burst by feel or with a calibrated measuring device to determine accurate pressure.

- Press the mode/power button to turn on the digital gauge. The unit will start up in high pressure mode by default.

**NOTE:** Make sure digital gauge is set at 0 before use. If gauge reads “Err” or needs resetting, press and hold both the mode/power button and start/stop button for about 5 seconds.

- Set desired pressure.
- Thread air chuck onto the valve stem, making sure it is tightened securely. Do not cross-thread.

**NOTE:** The current air pressure inside the item will be shown on the display.

- Press the (+) or (-) button to select the needed air pressure. Press and hold the (+) or (-) button to increase or decrease the air pressure in 5 lb. increments.
- Press the start/stop button to start inflating.

**NOTE:** The pressure readout on the gauge while inflating is a measurement of the fluctuating pressure between the item and the high pressure hose. To get an accurate reading, stop inflating and follow above instructions for reading the air pressure.

**NOTE:** Stand 10 feet away from item during inflation.

- Turn off the inflator and store the hose in the hose wrap on the side of the unit.
- Press and hold the mode/power button to deactivate the display.

## **INFLATING MANUALLY FOR HIGH PRESSURE APPLICATIONS**

- Connect the high pressure hose to item to be inflated.
- Press mode/power button to select high pressure.
- Press and hold start/stop button until desired pressure is reached.
- Turn off the inflator and store the hose in the hose wrap on the side of the unit.

## **ACCESSORIES**

See Figures 9 - 12, pages 11 - 12.

The supplied accessories perform a variety of functions. The tapered adaptor can be used on smaller pinch valves to inflate items like floats and children’s toys, which usually require the user to inflate them by blowing air into them. The sport ball needle can be used to inflate any type of sports ball or any other item that requires an inflation sport ball needle.

**NOTE:** When inflating items of 10 PSI or less, inflate in short bursts and check after each burst by feel or with a calibrated measuring device to determine accurate pressure.

**To use the sport ball needle:**

- Insert sport ball needle into sports ball valve and inflate.
- Remove sport ball needle after inflation.

**NOTE:** Pressure required for most sports balls is too low for accurate reading on gauge.

The Presta valve adaptor can be used for Presta valve stems as described below. Before inflating a tire with a Presta valve, loosen the locking nut on the valve stem to inflate. Once inflation is complete, tighten the locking nut to seal the tire valve.

**To use the Presta valve adaptor:**

- Thread Presta valve adaptor into the air chuck on the end of the high pressure hose.
- Loosen Presta valve locking nut on the Presta valve stem.
- Thread the Presta valve adaptor onto the Presta valve stem. Tighten firmly, being careful not to cross-thread.
- Inflate as described previously in **Inflating With the High Pressure Hose**.
- After inflation, remove air chuck and tighten locking nut.
- Remove the Presta valve accessory and return to the storage area.
- Remove the hose and store in the hose wrap on the right side of the unit.

# OPERATION

## INFLATING WITH THE HIGH PRESSURE AIR HOSE AND ACCESSORIES

See Figures 10 - 12, page 12.

The high pressure air hose can be used with the provided adaptors to inflate a variety of items.

- To install accessory, thread adaptor (or needle) into air chuck. Inflate to desired pressure.
- Remove accessory after inflating and return to storage area on the side of the unit.

## ACCESSORIES STORAGE

See Figure 13, page 12.

When not in use, adaptors and needles provided with the inflator can be placed in the storage area located on the right side of the unit.

## HOSE STORAGE

See Figures 13 - 14, page 12.

When not in use, the hoses provided with the inflator can be placed in the storage areas located on both sides of the unit.

# MAINTENANCE

### **WARNING:**

When servicing, use only identical replacement parts. Use of any other parts can create a hazard or cause product damage.

### **WARNING:**

Always wear eye protection with side shields marked to comply with ANSI Z87.1. Failure to do so could result in objects being thrown into your eyes resulting in possible serious injury.

## GENERAL MAINTENANCE

Avoid using solvents when cleaning plastic parts. Most plastics are susceptible to damage from various types of commercial solvents and may be damaged by their use. Use clean cloths to remove dirt, dust, oil, grease, etc.

### **WARNING:**

Do not at any time let brake fluids, gasoline, petroleum-based products, penetrating oils, etc., come in contact with plastic parts. Chemicals can damage, weaken or destroy plastic which can result in serious personal injury.

**NOTE: ILLUSTRATIONS START ON PAGE 10 AFTER FRENCH AND SPANISH LANGUAGE SECTIONS.**



# RÈGLES DE SÉCURITÉ GÉNÉRALES

## AVERTISSEMENT !

**LIRE ET VEILLER À BIEN COMPRENDRE TOUTES LES INSTRUCTIONS.** Le non-respect de toutes les instructions ci-dessous peut entraîner un choc électrique, un incendie et/ou des blessures graves.

## AVERTISSEMENT !

Au moment d'utiliser les appareils électriques, les précautions de base doivent être prises, y compris ce qui suit :

## CONSERVER CES INSTRUCTIONS

### LIEU DE TRAVAIL

- **Maintenir l'espace de travail propre et bien éclairé.** Les établis encombrés et les endroits sombres sont propices aux accidents.
- **Garder les badauds, enfants et visiteurs à l'écart pendant l'utilisation de l'accessoire de gonflage.** Les distractions peuvent causer une perte de contrôle.
- **Utiliser l'accessoire de gonflage dans un endroit dégagé, à au moins 457 mm (18 po) de toute paroi ou objet risquant de gêner l'entrée de l'air dans les ouvertures de ventilation.**

### SÉCURITÉ ÉLECTRIQUE

- **Pour réduire le risque d'un choc électrique, ne pas mettre le gonflage dans l'eau ou autre liquide.** Ne pas placer ou entreposer l'appareil dans un endroit où il peut tomber ou être entraîné dans une baignoire ou un évier.
- **Utiliser ce produit seulement avec les piles et les chargeurs indiqués dans le supplément de raccordement pour chargeur/outils/piles/appareil n° 987000-432.**

### SÉCURITÉ PERSONNELLE

- **Rester en alerte, attentif à la tâche et faire preuve de bon sens lors de l'utilisation de l'accessoire de gonflage. Ne pas utiliser cet accessoire de gonflage en état de fatigue ou sous l'influence de l'alcool, de drogues ou de médicaments.** Un moment d'inattention pendant l'utilisation de l'accessoire de gonflage peut entraîner des blessures graves.
- **Porter une tenue appropriée. Ne porter ni vêtements amples, ni bijoux. Attacher ou couvrir les cheveux longs. Garder les cheveux, les vêtements et les gants à l'écart des pièces en mouvement.** Les vêtements amples, bijoux et cheveux longs peuvent être pris dans les pièces en mouvement.
- **Ne pas travailler hors de portée. Toujours se tenir bien campé et en équilibre.** Une bonne tenue et un bon

équilibre permettent de mieux contrôler l'accessoire de gonflage en cas de situation imprévue.

- **Utiliser l'équipement de sécurité. Toujours porter une protection oculaire.** Suivant les conditions, le port d'un masque filtrant, de chaussures de sécurité, d'un casque ou d'une protection auditive est recommandé.
- **Une protection oculaire est requise, car les dispositifs d'attache et débris projetés peuvent causer des lésions oculaires graves.**
- **Ne porter ni vêtements amples, ni bijoux. Attacher ou couvrir les cheveux longs.** Les vêtements amples, bijoux et cheveux longs peuvent se prendre dans les ouïes d'aération.
- **Ne pas utiliser l'accessoire sur une échelle ou un support instable.** Une bonne tenue et un bon équilibre permettent de mieux contrôler l'accessoire de gonflage en cas de situation imprévue.
- **Ne pas démonter l'accessoire de gonflage.**
- **Ne pas utiliser la lampe ou le chargeur à proximité de liquides explosifs, en présence de gaz ou dans une atmosphère explosive.** Les étincelles internes peuvent enflammer les vapeurs.
- **Ne pas recharger un outil fonctionnant sur piles dans un endroit humide ou mouillé. Ne pas utiliser, remiser ou charger le bloc-piles ou produits dans des emplacements où la température est inférieure 10 °C (50 °F) à ou supérieure à 38 °C (100 °F).** Ne pas ranger l'outil à l'extérieur ou dans un véhicule.

### UTILISATION ET ENTRETIEN L'ACCESSOIRE DE GONFLAGE

- **Avant chaque utilisation, s'assurer que les flexibles ne sont pas affaiblis ou endommagés et vérifier tous les branchements.** Ne pas utiliser si des dommages sont observés. Acheter de nouveaux flexibles ou contacter un centre de réparations agréé, pour les faire inspecter ou réparer.
- **Relâcher toutes les pressions du système lentement.** La projection de poussières et de débris peut être dangereuse.
- **Ne pas utiliser l'accessoire de gonflage si le commutateur ne permet pas de le mettre en marche et de l'arrêter.** Un accessoire de gonflage qui ne peut pas être contrôlé par le commutateur est dangereux et doit être réparé.
- **Mettre le gâchette de commutateur en position d'arrêt avant d'effectuer des réglages, de changer d'accessoire ou de ranger l'outil.** Ces mesures de sécurité réduisent les risques de démarrage accidentel de l'outil.
- **Ranger les accessoires de gonflage non utilisés hors de la portée des enfants et des personnes n'ayant pas reçu des instructions adéquates.** Dans les mains de

# RÈGLES DE SÉCURITÉ GÉNÉRALES

personnes n'ayant pas reçu des instructions adéquates, les accessoires de gonflage sont dangereux.

- **Vérifier qu'aucune pièce mobile n'est mal alignée, grippée ou brisée et s'assurer qu'aucun autre problème ne risque d'affecter le bon fonctionnement de l'accessoire de gonflage. En cas de dommages, faire réparer l'accessoire de gonflage avant de l'utiliser de nouveau.** Beaucoup d'accidents sont causés par des outils mal entretenus.
- **Utiliser exclusivement les accessoires recommandés par le fabricant pour le modèle d'outil.** Des accessoires appropriés pour un accessoire de gonflage peuvent être dangereux s'ils sont utilisés avec un autre accessoire de gonflage.
- **Garder l'accessoire de gonflage et sa poignée exempts d'huile ou de graisse.** Toujours utiliser un chiffon propre pour le nettoyage. Ne jamais utiliser de liquide de freins, d'essence ou de produits à base de pétrole pour nettoyer l'accessoire de gonflage. Le respect de cette consigne permet de réduire les risques de perte de contrôle et d'endommagement du boîtier en plastique.
- **Ne pas pointer un accessoire de gonflage quel qu'il soit vers soi ou d'autres personnes.**

- **Garder l'extérieur de l'accessoire de gonflage sec, propre et exempt d'huile ou de graisse.** Toujours utiliser un chiffon propre pour le nettoyage. Ne jamais utiliser de liquide de freins, d'essence, de produits à base de pétrole ou de solvants puissants pour nettoyer l'outil. Le respect de cette règle permet de réduire les risques de perte de contrôle et d'endommagement du boîtier en plastique.
- **Ne pas dépasser les pressions nominales des composants du système.**
- **Protéger les flexibles d'alimentation et de l'outil contre les dommages et les risques de perforation.** Garder le flexible et le cordon d'alimentation électrique à l'écart des objets pointus, des produits chimiques, de l'huile, des solvants et sols mouillés.

## DÉPANNAGE

- **Le dépannage de l'accessoire de gonflage doit être confié exclusivement à un personnel qualifié.** Les réparations ou entretiens effectués par des personnes non qualifiées présentent des risques de blessures.
- **Utiliser exclusivement des pièces identiques à celles d'origine pour les réparations. Se conformer aux instructions de la section Entretien de ce manuel.** L'utilisation de pièces non autorisées ou le non-respect des instructions peut présenter des risques de choc électrique ou de blessures.

# RÈGLES DE SÉCURITÉ PARTICULIÈRES

- **Apprendre à connaître l'accessoire de gonflage.** Lire attentivement le manuel d'utilisation. Apprendre les applications et les limites de l'outil, et connaître les dangers spécifiques relatifs à son utilisation. Le respect de cette règle permet de réduire les risques d'incendie, de choc électrique et de blessures.
- **Risque d'éclatement.** Ne pas faire fonctionner le gonfleur de manière à éviter une sortie de pression plus élevée que la pression maximale de l'article à gonfler. Ne pas utiliser une pression de plus de 0,5 PSI.
- **Pour réduire les risques de chocs électriques,** ne pas exposer à la pluie. Remiser à l'intérieur.
- **Inspecter chaque fois pour vérifier qu'il n'y a pas de fissures, de piqûres ou d'autres imperfections pouvant altérer la sécurité de l'accessoire de gonflage.** Ne jamais couper ou percer des trous dans l'accessoire de gonflage.
- **S'assurer que le flexible n'est ni bloqué, ni accroché.** Un flexible emmêlé ou entortillé peut causer une perte d'équilibre et être endommagé.
- **L'accessoire de gonflage ne doit être utilisé que pour les applications pour lesquelles il est conçu. Ne pas altérer ou modifier l'accessoire de gonflage ou**

**l'utiliser pour des applications pour lesquelles il n'est pas conçu.**




- **Ne jamais oublier qu'un usage incorrect ou abusif de cet accessoire de gonflage peut mettre l'opérateur et les autres personnes présentes en danger.**
- **Ne jamais laisser l'appareil de gonflage sans supervision lorsque la buse est fixée à l'article en cours de gonflage.**
- **Ne pas utiliser un accessoire de gonflage qui présente des fuites d'air ou ne fonctionne pas correctement.**
- **Toujours débrancher le bloc-pile avant d'effectuer des réglages ou entretiens et lorsque l'accessoire de gonflage n'est pas utilisé.**
- **Ne jamais laisser l'accessoire de gonflage sans surveillance avec le flexible d'air branché à être gonflé.**
- **Toujours respecter les consignes de sécurité du fabricant de l'accessoire de gonflage, ainsi que toutes les règles de sécurité d'utilisation de l'accessoire de gonflage.** Le respect de cette consigne permet de réduire les risques de blessures graves.
- **Pour usage domestique seulement.**

# RÈGLES DE SÉCURITÉ PARTICULIÈRES








- **Ne pas utiliser cet accessoire de gonflage comme un appareil de respiration.**
- **Ne jamais diriger le jet d'air comprimé vers des personnes ou des animaux. Veiller à ne pas projeter de la poussière ou de la saleté vers soi-même ou d'autres personnes.** Le respect de cette règle permet de réduire les risques de blessures graves.
- **Protection respiratoire.** Porter un masque facial ou respiratoire si le travail produit de la poussière. Le respect de cette règle permet de réduire les risques de blessures graves.
- **Ne pas utiliser cet accessoire de gonflage pour la pulvérisation de produits chimiques.** L'inhalation de vapeurs toxiques peut causer des lésions pulmonaires.
- **Vérifier l'état des pièces. Avant d'utiliser l'accessoire de gonflage de nouveau, examiner soigneusement les pièces et dispositifs de protection qui semblent endommagés afin de déterminer s'ils fonctionnent correctement et remplissent les fonctions prévues.**
- **Vérifier l'alignement des pièces mobiles, s'assurer qu'aucune pièce n'est bloquée ni cassée, vérifier la fixation de chaque pièce et s'assurer qu'aucun autre problème ne risque d'affecter le bon fonctionnement de l'outil. Toute protection ou pièce endommagée doit être correctement réparée ou remplacée dans un centre de réparations agréé.** Le respect de cette consigne permet de réduire les risques de choc électrique, d'incendie et de blessures graves.
- **Risque d'éclatement.** Surveiller les objets pendant l'inflation.
- **Pour réduire les risques de manière excessive,** utiliser un manomètre étaloné régulièrement pendant l'inflation.
- **Ne jamais laisser un gonfleur en fonctionnement sans surveillance.**
- **Ne jamais bloquer les sorties de gonflage ou de dégonflage au moment de l'utilisation.**
- **Ne pas utiliser un bloc-piles endommagé ou modifié.** Le bris ou la modification du bloc-piles peut causer un comportement imprévisible et causer un incendie, une explosion ou des blessures.
- **Ne pas modifier ou tenter de réparer un bloc-piles ayant été endommagé.**
- **Ne pas exposer le bloc-piles ou l'outil à un feu ou à des températures excessives.** Une exposition à un incendie ou à une température supérieure à 130 °C (265 °F) peut provoquer une explosion.
- **Suivre toutes les instructions afférentes à la recharge et ne pas recharger le bloc-piles ou l'appareil hors des températures spécifiées dans les instructions.** Une recharge incorrecte ou hors des températures spécifiées peut endommager la pile et augmenter les risques de feu.
- **Demander à un réparateur qualifié d'effectuer la réparation en utilisant des pièces de rechange identiques.** Ceci assurera la bonne sécurité du produit réparé.
- **Laisser refroidir la pompe** pendant cinq (5) minutes après chaque cinq (5) minutes d'utilisation. Ne jamais bloquer les sorties de gonflage ou de dégonflage au moment de l'utilisation.
- **Conserver ces instructions.** Les consulter fréquemment et les utiliser pour instruire les autres utilisateurs éventuels. Si cet outil est prêté, il doit être accompagné de ces instructions.

# SYMBOLES

Les termes de mise en garde suivants et leur signification ont pour but d'expliquer le degré de risques associé à l'utilisation de ce produit.

| SYMBOLE                                                                           | SIGNAL                 | SIGNIFICATION                                                                                                                                                                        |
|-----------------------------------------------------------------------------------|------------------------|--------------------------------------------------------------------------------------------------------------------------------------------------------------------------------------|
|  | <b>DANGER :</b>        | Indique une situation dangereuse qui, si elle n'est pas évitée, aura pour conséquences des blessures graves ou mortelles.                                                            |
|  | <b>AVERTISSEMENT :</b> | Indique une situation dangereuse qui, si elle n'est pas évitée, pourrait entraîner des blessures graves ou mortelles.                                                                |
|  | <b>ATTENTION :</b>     | Indique une situation dangereuse qui, si elle n'est pas évitée, pourrait entraîner des blessures légères ou de gravité modérée.                                                      |
|                                                                                   | <b>AVIS :</b>          | (Sans symbole d'alerte de sécurité) Indique les informations jugées importantes sans toutefois représenter un risque de blessure (ex. : messages concernant les dommages matériels). |

Certains des symboles ci-dessous peuvent être utilisés sur produit. Veiller à les étudier et à apprendre leur signification. Une interprétation correcte de ces symboles permettra d'utiliser produit plus efficacement et de réduire les risques.

| SYMBOLE                                                                             | NOM                                 | DÉSIGNATION / EXPLICATION                                                                                                                                                                                                                                             |
|-------------------------------------------------------------------------------------|-------------------------------------|-----------------------------------------------------------------------------------------------------------------------------------------------------------------------------------------------------------------------------------------------------------------------|
|    | Symbole d'alerte de sécurité        | Indique un risque de blessure potentiel.                                                                                                                                                                                                                              |
|   | Lire manuel d'utilisation           | Pour réduire les risques de blessures, l'utilisateur doit lire et veiller à bien comprendre le manuel d'utilisation avant d'utiliser ce produit.                                                                                                                      |
|  | Protection oculaire                 | Toujours porter une protection oculaire avec écrans latéraux certifiée conforme à la norme ANSI Z87.1.                                                                                                                                                                |
|  | Avertissement concernant l'humidité | Ne pas exposer à la pluie ou l'humidité.                                                                                                                                                                                                                              |
|  | Risque d'éclatement                 | Ne pas faire fonctionner le gonfleur de manière à éviter une sortie de pression plus élevée que la pression maximale de l'article à gonfler. Ne pas utiliser une pression de plus de 150 PSI.                                                                         |
|  | Symboles de recyclage               | Ce produit utilise les piles de lithium-ion (Li-ion). Les réglementations locales ou gouvernementales peuvent interdire de jeter les piles dans les ordures ménagères. Consulter les autorités locales compétentes pour les options de recyclage et/ou l'élimination. |
|  | Surface brûlante                    | Pour éviter les risques de blessures ou de dommages, éviter tout contact avec les surfaces brûlantes.                                                                                                                                                                 |
| V                                                                                   | Volts                               | Tension                                                                                                                                                                                                                                                               |
| min                                                                                 | Minutes                             | Temps                                                                                                                                                                                                                                                                 |
| —                                                                                   | Courant continu                     | Type ou caractéristique du courant                                                                                                                                                                                                                                    |
| $n_0$                                                                               | Vitesse à vide                      | Vitesse de rotation à vide                                                                                                                                                                                                                                            |
| .../min                                                                             | Par minute                          | Tours, coups, vitesse périphérique, orbites, etc., par minute                                                                                                                                                                                                         |

# CARACTÉRISTIQUES

## FICHE TECHNIQUE

Moteur ..... 18 V c.c.  
Longueur du flexible haute pression ..... 610 mm (24 po)  
Longueur du flexible basse pression ..... 300 mm (12 po)

Manomètres ..... Affichage numérique (PSI)  
Pression maximum ..... 150 PSI

## ASSEMBLAGE

### AVERTISSEMENT :

Ne pas utiliser le produit s'il n'est pas complètement assemblé ou si des pièces semblent manquantes ou endommagées. L'utilisation d'un produit dont l'assemblage est incorrect ou incomplet ou comportant des pièces endommagées ou absentes représente un risque de blessures graves.

### AVERTISSEMENT :

Ne pas essayer de modifier cet outil ou de créer des pièces et accessoires non recommandés. De telles altérations ou modifications sont considérées comme un usage abusif et peuvent créer des conditions dangereuses, risquant d'entraîner des blessures graves.

Si des pièces manquent ou sont endommagées, veuillez appeler au 1-800-525-2579 pour obtenir de l'aide.

## UTILISATION

### AVERTISSEMENT :

La familiarité avec l'outil ne doit pas faire oublier l'attention. Ne pas oublier qu'une fraction de seconde d'inattention peut entraîner des blessures graves.

### AVERTISSEMENT :

Ne pas laisser les articles à gonfler sans surveillance lorsque l'accessoire de gonflage est utilisé. Ces articles peuvent éclater et provoquer de graves blessures.

### AVERTISSEMENT :

Toujours retirer la bloc-pile de l'outil au moment d'assembler des pièces, d'effectuer des réglages et de procéder au nettoyage, ou lorsque l'outil n'est pas utilisé. Si cette précaution n'est pas prise, des objets peuvent être projetés dans les yeux et causer des lésions graves.

### AVERTISSEMENT :

Le manomètre de cet appareil n'est pas calibré. Il faut vérifier la pression des pneus avec un dispositif de mesure fiable avant de conduire un véhicule avec des pneus gonflés au moyen de cet appareil. Conduire un véhicule avec des pneus mal gonflés peut entraîner des blessures graves.

### AVERTISSEMENT :

Toujours porter une protection oculaire avec écrans latéraux certifiée conforme à la norme ANSI Z87.1. Ne pas suivre cette directive pourrait entraîner des blessures graves, par exemple si l'appareil projetait des objets dans vos yeux.

### AVIS :

L'accessoire de gonflage n'est pas conçu pour une application continue. Toutes les dix minutes d'utilisation, arrêter l'accessoire de gonflage et le laisser refroidir pendant dix minutes.

### AVERTISSEMENT :

Ne pas utiliser d'outils ou d'accessoires non recommandés par le fabricant de l'outil. L'utilisation de pièces et accessoires non recommandés peut entraîner des blessures graves.

### AVIS :

L'accessoire de gonflage peut gonfler jusqu'à 150 PSI. Pour éviter le surgonflage, suivre avec soin les instructions indiquées sur les articles à gonfler. Pour éviter d'endommager les produits, ne jamais les gonfler au-delà des pressions recommandées.

# UTILISATION

## APPLICATIONS

Cet accessoire de gonflage peut être utilisé pour les applications ci-dessous :

- Gonfle les articles à haute pression comme les pneus de motocyclettes, de voitures et de bicyclettes
- Gonfler et dégonfler les articles à basse pression comme les matelas, les radeaux et les flotteurs pneumatiques

**NOTE :** L'accessoire de gonflage n'est pas conçu pour une application commerciale.

## RETRAIT / INSTALLATION DU BLOC-PILES

Voir la figure 1, page 10.

### Installation :

- Aligner la nervure du bloc-piles sur la rainure du chargeur et insérer le bloc dans le compartiment de l'outil.
- S'assurer que ses deux loquets latéraux s'engagent correctement et vérifier que le bloc est solidement assujéti avant d'utiliser l'outil.

### Retrait :

- Appuyer sur les deux loquets se trouvant sur les côtés du bloc-piles pour le séparer de l'outil et retirer le bloc-piles de l'outil.

Pour prendre connaissance des consignes de chargement, consulter le manuel d'utilisation des piles et des chargeurs.

## FLEXIBLES DOUBLES

Voir les figures 2 et 3, page 10.

### AVERTISSEMENT :

Des accessoires ou des conduits mal attachés peuvent se détacher sous la pression et causer de graves blessures. Des fuites d'air possibles peuvent causer des résultats de pression erronés. S'assurer que toutes les connexions sont bien serrées.

L'accessoire de gonflage a deux flexibles pour deux types de gonflage. Le flexible haute pression est pour le gonflage d'articles haute pression tels que pneus et des ballons de sport. Le flexible basse pression est conçu pour gonfler ou dégonfler des articles basse pression à volume élevé, tels que radeaux et matelas pneumatiques, ainsi que flotteurs.

**NOTE :** Le manomètre et les fonctions de pré-réglage ne concernent que les applications avec le flexible haute pression.

## BOUTON DE MODE / ALIMENTATION

Voir la figure 4, page 11.

- Appuyer sur le bouton de mode/alimentation pour mettre l'appareil en marche.
- Pour éteindre l'appareil, appuyer sur le bouton de mode/alimentation jusqu'à ce que le témoin s'éteigne, puis relâcher le bouton.

## ARRÊT AUTOMATIQUE

Le manomètre numérique est actif pendant environ cinq minutes. Pour éteindre manuellement, appuyer et maintenir le bouton « Mode » enfoncé jusqu'à ce que le témoin s'éteigne puis relâcher le bouton.

## MANOMÈTRE NUMÉRIQUE

Voir la figure 5, page 11.

Le manomètre numérique sur l'accessoire de gonflage a plusieurs fonctions. Il sert de manomètre, contrôle la quantité de pression appliquée à l'article gonflé; la pression est indiquée par PSI.

- Appuyer sur le bouton « mode/power » pour allumer le manomètre numérique. L'appareil se lancera pas défaut en mode de haute pression.

**NOTE :** S'assurer que le manomètre numérique est réglé sur 0 avant l'utilisation. Si le manomètre indique « Err » ou demande une réinitialisation à 0, appuyer sur le bouton de mode/alimentation et sur le bouton de marche/arrêt en même temps pendant environ 5 secondes.

- Appuyer de nouveau sur le bouton de mode/alimentation pour sélectionner le mode de basse pression. Appuyer sur le bouton encore une fois pour choisir le mode de haute pression. Le mode sélectionné est indiqué par la flèche située à gauche ou à droite de l'écran. Il est possible de passer d'un mode à l'autre en appuyant sur le bouton de mode/alimentation.

**NOTE :** Après avoir déterminé un pré-réglage de haute pression, le paramètre de pression reste en mémoire jusqu'à l'arrêt de l'appareil. Pour rappeler le paramètre de pression précédent après un gonflage, appuyer sur le bouton (+) ou (-).

## GONFLAGE AVEC LE FLEXIBLE BASSE PRESSION

Voir la figure 6, page 11.

Le flexible basse pression est utilisé pour gonfler des articles basse pression, tels que matelas pneumatiques, piscines et flotteurs.

**NOTE :** Un pincer adaptateur de soupape est fourni en tant que pièce de l'embout petit gonflable attaché à l'extrémité du flexible basse pression. L'adaptateur de soupape est utilisé pour les articles dont l'ouverture ou la valve à pincement est plus petite. Insérer l'adaptateur de soupape dans la valve à pincement en s'assurant que l'extrémité de l'adaptateur est inséré au-delà du volet dans la valve. Lors du gonflage, s'assurer que l'extrémité n'est pas bloquée.

- Aligner les fentes du flexible sur les goupilles du port situé sur le dessus du gonfleur.
- Tourner le flexible dans le sens des aiguilles d'une montre jusqu'à ce qu'il cesse de tourner.

# UTILISATION

- Appuyer sur le bouton de mode/alimentation pour allumer le manomètre numérique. L'appareil se lancera par défaut en mode de haute pression.
- Appuyer de nouveau sur le bouton de mode/alimentation pour sélectionner le mode de basse pression.
- Appuyer sur le bouton de marche/arrêt pour démarrer le gonflage.
- Une fois la pression voulue atteinte, appuyer sur le bouton de marche/arrêt pour cesser le gonflage.
- Enlever le flexible en tournant dans le sens contraire aux aiguilles d'une montre jusqu'à ce qu'il se retire du gonfleur.
- Ranger le flexible dans l'enrouleur de flexible situé sur le côté gauche de la produit.

## AVIS :

Toujours laisser le flexible basse pression dégagé de toute obstruction et l'adaptateur de soupape retiré lorsqu'il n'est pas utilisé. Une surchauffe peut avoir lieu lorsque le flexible basse pression est obstrué.

## DÉGONFLAGE AVEC LE FLEXIBLE BASSE PRESSION

See Figure 7, page 11.

Le flexible basse pression, lorsqu'il est installé au dégonfleur, peut être utilisé pour vider l'air des articles gonflés.

- Placer le flexible à l'intérieur du dégonfleur.
- Appuyer sur le bouton de mode/alimentation se trouvant sur le côté du gonfleur pour allumer le manomètre numérique.
- Appuyer de nouveau sur le bouton de mode/alimentation pour sélectionner le mode de basse pression.
- Appuyer sur le bouton de marche/arrêt pour démarrer le dégonflage.
- Une fois l'article dégonflé, appuyer sur le bouton de marche/arrêt pour cesser le dégonflage.
- Enlever le flexible en le tirant hors du dégonfleur.
- Ranger le flexible dans l'enrouleur de flexible situé sur le côté gauche de la produit.

## GONFLAGE AVEC LE FLEXIBLE HAUTE PRESSION

Voir la figure 8, page 11.

Le mandrin pneumatique sur le flexible haute pression peut être utilisé sans adaptateur pour gonfler des pneus ou pour toute autre application avec une tige de valve s'insérant dans l'ouverture du mandrin.

**NOTE :** Pour le gonflage d'articles de 10 PSI ou moins, gonfler par petites pulsations et vérifier après chacune d'entre elles au toucher ou avec un manomètre étalonné pour déterminer la pression précise.

- Appuyer sur le bouton de mode/alimentation pour mettre le manomètre numérique en marche. L'appareil se lancera par défaut en mode de haute pression.

**NOTE :** Veiller à ce que le manomètre numérique soit réglé sur 0 avant l'utilisation. Si le manomètre indique « Err » ou demande une réinitialisation, appuyer sur le bouton de mode/alimentation et sur le bouton de marche/arrêt en même temps pendant environ 5 secondes.

- Régler la pression désirée.
- Enfiler l'attache de mandrin pneumatique sur la tige de valve, en s'assurant de bien serrer. Ne pas fausser le filetage.

**NOTE :** La pression d'air actuelle à l'intérieur de l'article s'affichera à l'écran.

- Appuyer sur le bouton (+) ou (-) pour choisir la pression d'air nécessaire. Maintenir le bouton (+) ou (-) appuyé afin d'augmenter ou réduire la pression d'air par incréments de 2 kg (5 lb).

- Appuyer sur le bouton de marche/arrêt pour démarrer le gonflage.

**NOTE :** Lors du gonflage, la mesure de pression indiquée sur le manomètre représente la pression fluctuante entre l'article et le flexible haute pression. Pour obtenir une mesure précise, arrêter le gonflage et suivre les instructions ci-dessus pour mesurer la pression d'air.

**NOTE :** Garder une distance de 3 m (10 pi) pendant le gonflage de l'article.

- Arrêter le gonfleur et ranger le flexible sur l'enrouleur situé sur le côté de l'appareil.
- Appuyer et maintenir le bouton « Mode/Power » pour désactiver l'afficheur.

## GONFLAGE MANUEL POUR APPLICATIONS HAUTE ET BASSE PRESSION

- Brancher le flexible haute ou basse pression sur l'article à gonfler.
- Appuyer sur le bouton de mode/alimentation pour sélectionner la haute pression.
- Appuyer sur le bouton de marche/arrêt jusqu'à atteindre la pression voulue.
- Arrêter le gonfleur et ranger le flexible sur l'enrouleur situé sur le côté de l'appareil.

## ACCESSOIRES

Voir les figures 9 à 12, pages 11 et 12.

Les accessoires fournis permettent d'effectuer une variété de fonctions. L'adaptateur effilé de soupape peut être utilisé sur les valves à pincement plus petites pour gonfler des articles tels que flotteurs ou jouets, qui nécessitent en général d'être gonflés par l'utilisateur. L'aiguille arborer la balle peut être utilisée pour gonfler tout type de ballons de sport et tout autre article nécessitant une aiguille arborer la balle de gonflage.

# UTILISATION

**NOTE :** Pour le gonflage d'articles de 10 PSI ou moins, gonfler par petites pulsations et vérifier après chacune d'entre elles au toucher ou avec un manomètre étalonné pour déterminer la pression précise.

## Pour utiliser l'aiguille arborer la balle :

- Insérer l'aiguille arborer la balle dans la valve du ballon de sport et gonfler.
- Retirer l'aiguille arborer la balle après le gonflage.

**NOTE :** La pression requise pour la plupart des ballons de sport est trop faible pour une lecture précise sur le manomètre.

L'adaptateur de valve Presta peut être utilisé sur les tiges de valve Presta comme indiqué ci-dessous. Avant de gonfler un pneu avec valve Presta, desserrer l'écrou de blocage sur la tige de la valve pour gonfler. Une fois le gonflage terminé, serrer l'écrou de blocage pour fermer la valve du pneu.

## Pour utiliser l'adaptateur de valve Presta :

- Enfiler l'adaptateur de valve Presta dans l'attache de mandrin pneumatique, au bout du flexible haute pression.
- Desserrer l'écrou de blocage sur la tige de valve Presta.
- Enfiler l'adaptateur de valve Presta dans la tige de valve Presta. Bien serrer en évitant de fausser le filetage.
- Gonfler en suivant les instructions indiquées à la section précédente **Gonflage avec le flexible haute pression**.
- Après le gonflage, enlever l'attache de mandrin pneumatique et serrer l'écrou de blocage.
- Retirer l'accessoire de valve Presta et remettre dans l'espace de rangement.

- Enlever le flexible et le ranger sur l'enrouleur de flexible situé sur le côté droit de l'unité.

## GONFLAGE AVEC LE FLEXIBLE HAUTE PRESSION ET LES ACCESSOIRES

*Voir les figures 10 à 12, page 12.*

Le flexible haute pression peut être utilisé avec les adaptateurs fournis pour gonfler divers articles.

- Pour installation l'accessoires, insérer l'adaptateur (ou aiguilles) dans le mandrin pneumatique. Gonfler à la pression désirée.
- Retire le accessoire après le gonflage et remettre dans l'espace de rangement se trouvant sur le côté de l'appareil.

## RANGEMENT DES ACCESSOIRES

*Voir la figure 13, page 12.*

Lorsqu'ils ne sont pas utilisés, les adaptateurs et aiguilles fournis avec l'accessoire de gonflage peuvent être placés dans le compartiment de rangement situé sur le côté juste de l'outil.

## RANGEMENT DES FLEXIBLES

*Voir les figures 13 et 14, page 12.*

Lorsque l'accessoire de gonflage n'est pas utilisé, les flexibles pneumatiques fournis peuvent être rangés dans les compartiments de rangement situés des deux côtés de l'accessoire de gonflage.

# ENTRETIEN

## AVERTISSEMENT :

Utiliser exclusivement des pièces d'origine pour les réparations. L'usage de toute autre pièce pourrait créer une situation dangereuse ou endommager l'produit.

## AVERTISSEMENT :

Toujours porter une protection oculaire avec écrans latéraux certifiée conforme à la norme ANSI Z87.1. Ne pas suivre cette directive pourrait entraîner des blessures graves, par exemple si l'appareil projetait des objets dans vos yeux.

## ENTRETIEN GÉNÉRAL

Éviter d'utiliser des solvants pour le nettoyage des pièces en plastique. La plupart des matières plastiques peuvent être endommagées par divers types de solvants du commerce. Utiliser un chiffon propre pour éliminer la saleté, la poussière, l'huile, la graisse, etc.

## AVERTISSEMENT :

Ne jamais laisser de liquides tels que le fluide de freins, l'essence, les produits à base de pétrole, les huiles pénétrantes, etc., entrer en contact avec les pièces en plastique. Les produits chimiques peuvent endommager, affaiblir ou détruire le plastique, ce qui peut entraîner des blessures graves.

**NOTE : ILLUSTRATIONS COMMENÇANT SUR 10 DE PAGE APRÈS LE SECTION ESPAGNOL.**



# REGLAS DE SEGURIDAD GENERALES

## ¡ADVERTENCIA!

### **LEA Y COMPRENDA TODAS LAS INSTRUCCIONES.**

El incumplimiento de las instrucciones señaladas abajo puede causar descargas eléctricas, incendios y lesiones serias.

## ¡ADVERTENCIA!

Siempre se deben tomar precauciones básicas al usar aparatos eléctricos, incluidas las siguientes:

## GUARDE ESTAS INSTRUCCIONES

### ÁREA DE TRABAJO

- **Mantenga limpia y bien iluminada el área de trabajo.** Una mesa de trabajo mal despejada y una mala iluminación son causas comunes de accidentes.
- **Mantenga alejados a los circunstantes, niños y demás presentes mientras se utiliza el inflador.** Toda distracción puede causar la pérdida del control de la herramienta.
- **Utilice el inflador en un área abierta por lo menos a 457 mm (18 pulg.) de cualquier pared u objeto que pudiera restringir el flujo de aire fresco a las aberturas de ventilación.**

### SEGURIDAD EN EL MANEJO DE EQUIPO ELÉCTRICO

- **Para reducir el riesgo de descarga eléctrica, no ponga el inflador en el agua ni en otro líquido.** No coloque ni guarde el aparato donde pueda caer o ser arrastrado a una bañera, lavamanos o fregadero.
- **Usar este producto únicamente con la baterías y el cargador indicados en el folleto de la herramienta/aparato/paquete de baterías/cargador complementario 987000-432.**

### SEGURIDAD PERSONAL

- **Permanezca alerta, preste atención a lo que esté haciendo y aplique el sentido común al utilizar un inflador. No utilice el inflador si está cansado o se encuentra bajo los efectos de alguna droga, alcohol o medicamento.** Un segundo de inatención mientras se acciona el inflador puede ocasionar lesiones corporales graves.
- **Vístase adecuadamente. No vista ropas holgadas ni joyas. Recójase el cabello si está largo. Mantenga el cabello, la ropa y los guantes alejados de las piezas móviles.** Las ropas holgadas, las joyas y el cabello largo pueden engancharse en las piezas móviles.
- **No estire el cuerpo para alcanzar un distancia mayor a la natural. Mantenga una postura firme y buen**

**equilibrio en todo momento.** La postura firme y el buen equilibrio permiten un mejor control del inflador portátil en situaciones inesperadas.

- **Use equipo de seguridad. Siempre póngase protección ocular.** Cuando lo exijan las circunstancias debe ponerse careta contra el polvo, zapatos de seguridad antiderrapantes, casco o protección auditiva.
- **Se requiere protección ocular contra sujetadores y desechos que salgan disparados, los cuales pueden causar lesiones oculares graves.**
- **No vista ropas holgadas ni joyas. Recójase el cabello si está largo.** Las ropas holgadas y las joyas, así como el cabello largo, pueden resultar atraídas hacia el interior de las aberturas de ventilación.
- **No utilice la unidad al estar en una escalera o en un soporte inestable.** Una postura estable sobre una superficie sólida permite un mejor control del inflador portátil en situaciones inesperadas.
- **No desarme el inflador.**
- **No utilice el inflador cerca de líquidos inflamables ni en entornos gaseosos o explosivos.** Las chispas internas pueden inflamar las emanaciones.
- **No cargue herramientas de baterías en lugares mojados o húmedos. No lo utilice, guarde o cargue la paquete de baterías o la unidad en lugares donde la temperatura sea inferior a 10 °C (50 °F) o superior a 38 °C (100 °F).** No guarde la herramienta a la intemperie ni en el interior de vehículos.

### EMPLEO Y CUIDADO DEL INFLADOR

- **Antes de usar la unidad revise las mangueras para ver muestran daños o desgaste, asegurándose de que estén seguras todas las conexiones.** No utilice la unidad si encuentra algún defecto. Adquiera una manguera nueva o lleve la unidad a un centro de servicio autorizado para que la examinen y reparen.
- **Purgue lentamente todas las presiones internas del sistema.** El polvo y la basura pueden ser dañinos.
- **No utilice el inflador si el interruptor no enciende o no apaga.** Un inflador que no pueda controlarse con el interruptor es peligroso y debe repararse.
- **Ponga el interruptor en la posición de apagado antes de efectuar ajustes, cambiar accesorios o guardar el inflador.** Tales medidas preventivas de seguridad reducen el riesgo de poner en marcha accidentalmente el inflador.
- **Guarde los infladores desocupados fuera del alcance de los niños y de toda persona no capacitada.** Los infladores son peligrosos en manos de personas no capacitadas en su uso.
- **Verifique si las piezas móviles están desalineadas o atascadas, si hay piezas rotas o si existe cualquier otra irregularidad que pueda afectar el funcionamiento**

# REGLAS DE SEGURIDAD GENERALES

del inflador. Si se daña el inflador, hágalo reparar antes de volver a utilizarlo. Numerosos accidentes son causados por herramientas mal cuidadas.

- **Sólo utilice accesorios recomendados por el fabricante para cada modelo en particular.** Los accesorios que pueden ser adecuados para un inflador pueden producir lesiones si se usan con otro.
- **Mantenga el inflador y su mango secos, limpios y sin restos de aceite o grasa.** Siempre utilice un paño limpio para limpiar la unidad. Nunca utilice fluidos para frenos, gasolina, productos a base de petróleo ni solventes fuertes para limpiar el inflador. Con el cumplimiento de esta regla se reduce el riesgo de una pérdida de control y el deterioro del alojamiento de plástico de la unidad.
- **Nunca apunte el inflador hacia sí mismo u otras personas.**
- **Mantenga el exterior del inflador seco, limpio y sin restos de aceite o grasa.** Siempre utilice un paño limpio para la limpieza de la unidad. Nunca utilice fluidos para frenos, gasolina, productos a base de petróleo ni solventes fuertes para limpiar la unidad. Con

el cumplimiento de esta regla se reduce el riesgo de deterioro del alojamiento plástico de la unidad.

- **No sobrepase la presión nominal de ningún componente del sistema.**
- **Proteja de daños y perforaciones los conductos de material y de aire.** Mantenga la manguera y el cordón de alimentación lejos de objetos afilados, productos químicos derramados, aceite, solventes y pisos mojados.

## SERVICIO

- **El servicio del inflador sólo debe ser efectuado por personal de reparación calificado.** Todo servicio o mantenimiento efectuado por personal no calificado puede significar un riesgo de lesiones.
- **Al dar servicio al inflador, utilice sólo piezas de repuesto idénticas. Siga las instrucciones señaladas en la sección Mantenimiento de este manual.** El empleo de piezas no autorizadas o el incumplimiento de las instrucciones de mantenimiento puede significar un riesgo de descarga eléctrica o de lesiones.

# REGLAS DE SEGURIDAD ESPECÍFICAS

- **Familiarícese con el inflador.** Lea cuidadosamente el manual del operador. Aprenda sus usos y limitaciones, así como los posibles peligros específicos de esta herramienta. Con el cumplimiento de esta regla se reduce el riesgo de una descarga eléctrica, incendio o lesión seria.
- **Riesgo de estallido.** No preajuste el inflador de modo que la presión de salida resulte mayor que la máxima presión indicada para el artículo que se va a inflar. No use una presión superior a 150 PSI.
- **Para reducir el riesgo de una descarga eléctrica,** no exponga la unidad a la lluvia. Guarde la unidad en el interior.
- **Inspeccione el herramienta para verificar grietas, agujeros u otras imperfecciones que puedan tornar inseguro el uso del inflador.** Nunca recortar ni hacer orificios en el inflador.
- **Asegúrese de que la manguera no esté obstruida ni enganchada.** Si la manguera se enreda o engancha puede causar una pérdida del equilibrio o postura y puede dañarse.
- **Use el inflador sólo para su fin indicado. No altere ni modifique la unidad con respecto a su diseño y funcionamiento originales.**
- **Siempre tenga presente que el uso y manejo indebidos de este inflador puede ocasionarles lesiones a usted y a otras personas.**




- **Nunca deje desatendido el inflador con la manguera de aire conectada con el tema inflado.**
- **No continúe usando infladores o mangueras que tenga fugas de aire o que no funcionen correctamente.**
- **Siempre desconecte el suministro de aire y el de energía eléctrica antes de efectuar ajustes o dar servicio al inflador o cuando no lo esté usando.**
- **No intente tirar del inflador o transportarlo por la manguera.**
- **Siempre siga todas las reglas de seguridad recomendadas por el fabricante del inflador, además de todas las reglas de seguridad del inflador.** Con el cumplimiento de esta regla se reduce el riesgo de lesiones serias.
- **Para uso doméstico únicamente.**
- **No utilice este inflador cuando un dispositivo que respira.**
- **Nunca dirija un chorro de aire comprimido hacia personas o animales. Tenga cuidado de no soplar polvo o tierra hacia sí u otras personas.** Con el cumplimiento de esta regla se reduce el riesgo de posibles lesiones serias.
- **Protéjase los pulmones.** Use una careta o mascarilla contra el polvo si la operación genera mucho polvo. Con el cumplimiento de esta regla se reduce el riesgo de lesiones corporales serias.

# REGLAS DE SEGURIDAD ESPECÍFICAS








- **No utilice este inflador para rociar productos químicos.** Pueden resultar afectados los pulmones debido a la inhalación de emanaciones tóxicas.
- **Revise para ver si hay piezas dañadas.** Antes de seguir utilizando el inflador o la herramienta neumática, es necesario inspeccionar cuidadosamente toda protección o pieza que esté dañada para determinar si puede funcionar correctamente y desempeñar su función correspondiente.
- **Verifique la alineación de las partes móviles, que no haya atoramiento de las mismas, que no haya piezas rotas, el montaje de las piezas y cualquier otra condición que pudiera afectar su funcionamiento.** Toda protección o pieza que esté dañada debe repararse apropiadamente o reemplazarse en un centro de servicio autorizado. Con el cumplimiento de esta regla se reduce el riesgo de una descarga eléctrica, incendio o lesión grave.
- **Riesgo de estallido.** Preste atención a objetos durante la inflación.
- **Para reducir el riesgo de excesos en la presión de inflado,** usar un medidor calibrado periódicamente durante la inflación.
- **Nunca deje desatendida la inflador funcionando.**
- **Nunca bloquee las salidas de inflado o desinflado mientras opere la máquina.**
- **No utilice un paquete de baterías que esté dañado o modificado.** Las baterías dañadas o modificadas pueden tener un funcionamiento impredecible que provoque incendios, explosiones o riesgo de lesiones.
- **No modifique o intente reparar un paquete de baterías que esté dañado.**
- **No exponga el paquete de baterías o el artefacto al fuego o a temperaturas excesivas.** La exposición al fuego o a temperatura sobre los 130 °C (265 °F) puede provocar explosiones.
- **Siga todas las instrucciones de carga y no cargue el paquete de baterías ni el aparato fuera del rango de temperaturas especificado en las instrucciones.** Si realiza la carga en forma incorrecta o fuera de las temperaturas del rango especificado puede dañar la batería y aumentar el riesgo de incendios.
- **Verifique que un técnico de reparación calificado haga el mantenimiento usando solo repuestos idénticos.** De esta manera se mantiene la seguridad del producto.
- **Deje enfriar la bomba** durante cinco (5) minutos cada cinco (5) de uso continuo. Nunca bloquee las salidas de inflado o desinflado mientras opere la máquina.
- **Guarde estas instrucciones.** Consúltelas con frecuencia y empléelas para instruir a otras personas que puedan utilizar esta herramienta. Si presta a alguien esta herramienta, facilítele también las instrucciones.

# SÍMBOLOS

Las siguientes palabras de señalización y sus significados tienen el objeto de explicar los niveles de riesgo relacionados con este producto.

| SÍMBOLO                                                                           | SEÑAL               | SIGNIFICADO                                                                                                                                                                           |
|-----------------------------------------------------------------------------------|---------------------|---------------------------------------------------------------------------------------------------------------------------------------------------------------------------------------|
|  | <b>PELIGRO:</b>     | Indica una situación peligrosa, la cual, si no se evita, causará la muerte o lesiones serias.                                                                                         |
|  | <b>ADVERTENCIA:</b> | Indica una situación peligrosa, la cual, si no se evita, podría causar la muerte o lesiones serias.                                                                                   |
|  | <b>PRECAUCIÓN:</b>  | Indica una situación peligrosa, la cual, si no se evita, podría causar lesiones menores o leves.                                                                                      |
|                                                                                   | <b>AVISO:</b>       | (Sin el símbolo de alerta de seguridad) Indica la información que se considera importante, pero no relacionada con lesiones potenciales (por ej. en relación a daños a la propiedad). |

Es posible que se empleen en este producto algunos de los siguientes símbolos. Le suplicamos estudiarlos y aprender su significado. Una correcta interpretación de estos símbolos le permitirá utilizar mejor y de manera más segura el producto.

| SÍMBOLO                                                                             | NOMBRE                        | DENOMINACIÓN/EXPLICACIÓN                                                                                                                                                                                                                                                                                                        |
|-------------------------------------------------------------------------------------|-------------------------------|---------------------------------------------------------------------------------------------------------------------------------------------------------------------------------------------------------------------------------------------------------------------------------------------------------------------------------|
|    | Alerta de seguridad           | Indica un peligro posible de lesiones personales.                                                                                                                                                                                                                                                                               |
|   | Lea manual del operador       | Para reducir el riesgo de lesiones, el usuario debe leer y comprender el manual del operador antes de usar este producto.                                                                                                                                                                                                       |
|  | Protección ocular             | Siempre póngase protección ocular con protección lateral con la marca de cumplimiento de la norma ANSI Z87.1.                                                                                                                                                                                                                   |
|  | Alerta de condiciones húmedas | No exponga la unidad a la lluvia ni la use en lugares húmedos.                                                                                                                                                                                                                                                                  |
|  | Riesgo de explosión           | No accione el inflador para producir una presión de salida superior a la presión máxima marcada en el elemento a inflar. No use una presión superior a 150 PSI.                                                                                                                                                                 |
|  | Símbolo de reciclado          | Este producto utiliza baterías de iones de litio (Li-ion). Es posible que algunas leyes municipales, estatales o federales prohíban desechar las baterías en la basura normal. Consulte a las autoridades reguladoras de desechos para obtener información en relación con las alternativas de reciclado y desecho disponibles. |
|  | Superficie caliente           | Para reducir el riesgo de lesiones corporales o daños materiales evite tocar toda superficie caliente.                                                                                                                                                                                                                          |
| V                                                                                   | Volts                         | Voltaje                                                                                                                                                                                                                                                                                                                         |
| min                                                                                 | Minutos                       | Tiempo                                                                                                                                                                                                                                                                                                                          |
| —                                                                                   | Corriente continua            | Tipo o característica de corriente                                                                                                                                                                                                                                                                                              |
| $n_0$                                                                               | Velocidad en vacío            | Velocidad de rotación, en vacío                                                                                                                                                                                                                                                                                                 |
| .../min                                                                             | Por minuto                    | Revoluciones, carreras, velocidad superficial, órbitas, etc., por minuto                                                                                                                                                                                                                                                        |

# CARACTERÍSTICAS

## ESPECIFICACIONES DEL PRODUCTO

Motor ..... 18 V, corr. cont.  
Longitud de la manguera de alta presión.... 610 mm (24 pulg.)  
Longitud de la manguera  
de baja presión..... 300 mm (12 pulg.)

Manómetros ..... Indicador digital (PSI)  
Presión máxima..... 150 PSI

## ARMADO

### **ADVERTENCIA:**

No use este producto si no está totalmente ensamblado o si alguna pieza falta o está dañada. El uso de un producto que no está adecuadamente y completamente ensamblado o posee partes dañadas o faltantes puede resultar en lesiones personales graves.

### **ADVERTENCIA:**

No intente modificar este producto ni crear aditamentos o accesorios que no estén recomendados para usar con este producto. Dichas alteraciones o modificaciones constituyen un uso indebido y podrían provocar una situación de riesgo que cause posibles lesiones personales graves.

Si hay piezas dañadas o faltantes, le suplicamos llamar al 1-800-525-2579, donde le brindaremos asistencia.

## FUNCIONAMIENTO

### **ADVERTENCIA:**

No permita que su familiarización con este producto le vuelva descuidado. Tenga presente que un descuido de un instante es suficiente para infligir una lesión grave.

### **ADVERTENCIA:**

No deje desatendidos los artículos que se inflan con el inflador en funcionamiento. Podrían explotar y ocasionar lesiones graves.

### **ADVERTENCIA:**

Siempre retire el paquete de baterías de la herramienta cuando esté ensamblando partes, realizando ajustes, limpiando o cuando ésta no esté en uso. Retirando el paquete de baterías se evita arrancar accidentalmente la unidad, lo cual puede causar lesiones serias.

### **ADVERTENCIA:**

El medidor de presión de la unidad no está calibrado. Verifique la presión de los neumáticos con un dispositivo de medición confiable antes de conducir un vehículo con neumáticos inflados con esta unidad. Si conduce un vehículo con neumáticos inflados de manera inapropiada, podría sufrir lesiones graves.

### **ADVERTENCIA:**

Siempre póngase protección ocular con protección lateral con la marca de cumplimiento de la norma ANSI Z87.1. Si no cumple esta advertencia, los objetos que salen despedidos pueden producirle lesiones serias en los ojos.

### **AVISO:**

El inflador no está diseñado para uso continuo. Por cada diez minutos de uso del inflador, se requieren diez (10) minutos de tiempo de enfriamiento cuando el inflador no está en uso.

### **ADVERTENCIA:**

No utilice ningún aditamento o accesorio no recomendado por el fabricante de esta herramienta. El empleo de aditamentos o accesorios no recomendados podría causar lesiones serias.

### **AVISO:**

El inflador es capaz de inflar a 150 PSI. Para evitar inflar demasiado, siga cuidadosamente las instrucciones del artículo que vaya a inflar. Para evitar dañar el producto, nunca sobrepase las presiones recomendadas.

# FUNCIONAMIENTO

## USOS

Este inflador puede emplearse para el fin señalado a continuación:

- Inflar artículos que requieren alta presión, como los neumáticos de motocicletas, automóviles y bicicletas.
- Inflar y desinflar artículos que requieren baja presión, como colchones inflables, balsas inflables y flotadores.

**NOTA:** El inflador no está diseñado para aplicación comercial.

## PARA DESMONTAR Y MONTAR EL PAQUETE DE BATERÍAS

*Vea la figura 1, página 10.*

### Para conectar:

- Coloque el paquete de baterías en la producto, alineando la costilla realzada del paquete de baterías con el receptáculo para baterías de la herramienta.
- Asegúrese de que los pestillos situados en ambos lados del paquete de baterías entren completamente en su lugar con un chasquido y de que el paquete quede bien fijo en la herramienta antes de empezar a utilizar la herramienta.

### Para el desmontaje:

- Localice los pestillos situados en el costado del paquete de baterías y oprímalos en ambos lados para liberar éste de la herramienta y retire el paquete de baterías.

Para obtener instrucciones específicas de carga, lea el manual del operador que se incluye con el cargador y la batería.

## MANGUERAS DOBLES

*Vea las figuras 2 - 3, página 10.*

### ADVERTENCIA:

Si no se fijan correctamente las mangueras o los accesorios, se pueden soltar al someterse a presión y ocasionar lesiones graves. Las fugas de aire potenciales pueden ocasionar lecturas de presión erradas. Cerciórese de que todas las conexiones estén firmes.

El inflador tiene dos mangueras para dos tipos de inflado. La manguera de alta presión se usa para inflar artículos de alta presión, como neumáticos y balones deportivos. La manguera de baja presión está diseñada para inflar o desinflar artículos de baja presión y gran volumen, como balsas, colchones y flotadores.

**NOTA:** El manómetro y las características preestablecidas se usan con realtiva exclusividad para aplicaciones de manguera de alta presión.

## BOTÓN DE MODO/ENCENDIDO

*Vea la figura 4, página 11.*

- Presione el botón de modo/encendido para encender la unidad.
- Para apagarla, mantenga presionado el botón de modo/encendido hasta que se apague la luz; luego, suelte el botón.

## APAGADO AUTOMÁTICO

El medidor digital permanecerá encendido durante un máximo de cinco minutos. Para apagarlo manualmente, presione y mantenga presionado el botón de modo/encendido hasta que se apague la luz; luego, suelte el botón.

## MANÓMETRO DIGITAL

*Consulte la figura 5, página 11.*

El manómetro digital del inflador es multifuncional. Sirve de manómetro, monitoriza la presión que se aplica al artículo que se infla; la presión es indicada por PSI.

- Presione el botón modo/encendido para prender el manómetro digital. La unidad se encenderá con el modo de presión alta de manera predeterminada.

**NOTA:** Cerciórese de poner a cero el manómetro digital antes de usar. Si el medidor dice “Err” o debe restablecerse a 0, mantenga presionados el botón de modo/encendido y el botón de inicio/detención al mismo tiempo durante aproximadamente 5 segundos.

- Presione el botón de modo/encendido otra vez para seleccionar el modo de presión baja. Si presiona el botón una o más veces, se seleccionará el modo de presión alta. La flecha de la izquierda o derecha de la pantalla indica el modo seleccionado. Puede alternar los modos presionando el botón de modo/encendido.

**NOTA:** Una vez seleccionado un ajuste predeterminado de presión alta, la configuración de presión se mantendrá en la memoria hasta apagar la unidad. Para recordar la configuración de presión anterior después del inflado, presione el botón (+) o (-).

## INFLAR CON LA MANGUERA DE AIRE DE BAJA PRESIÓN

*Vea la figura 6, página 11.*

La manguera de aire de baja presión se usa para inflar artículos de baja presión, como una colchones de aire, piscinas y flotadores.

**NOTA:** Forma parte del conjunto de boquilla inflación pequeña un adaptador cónico que se conecta al extremo de la manguera de aire de baja presión. El adaptador pellizque válvula se usa para artículos que tengan un orificio de aire o válvula de presión más pequeña. Introduzca el adaptador pellizque válvula en la válvula de presión, cerciorándose de que la punta del adaptador sobrepase a la “aleta” dentro de la válvula. Al inflar, cerciórese de que la punta no quede bloqueada mientras se infla.

# FUNCIONAMIENTO

- Alinee las ranuras de la manguera con los pasadores de los puertos de la parte superior del inflador.
- Gire la manguera hacia la derecha hasta que haga tope.
- Presione el botón de modo/encendido para encender el medidor digital. La unidad se encenderá en modo de presión alta de forma predeterminada.
- Presione el botón de modo/encendido otra vez para seleccionar el modo de presión baja.
- Presione el botón de encendido/detención para empezar a inflar.
- Una vez que alcance la presión deseada, presione el botón de encendido/detención para dejar de inflar.
- Gire la manguera hacia la izquierda hasta que haga tope y retírela del inflador.
- Guarde la manguera en el soporte para enrollarla que se encuentra en el lateral izquierdo del producto.

## AVISO:

Cuando no esté en uso, siempre deje la manguera de baja presión libre de obstrucciones y sin el adaptador pellizque válvula. Puede ocurrir sobrecalentamiento si la manguera de baja presión está bloqueada.

## DESINFLADO CON LA MANGUERA DE BAJA PRESIÓN

Vea la figura 7, página 11.

Si se la coloca en el desinflador, la manguera de baja presión puede utilizarse para extraer aire de elementos inflados.

- Coloque la manguera en el interior del desinflador.
- Presione el botón de modo/encendido a un lado del inflador para encender el medidor digital.
- Presione el botón de modo/encendido otra vez para seleccionar el modo de presión baja.
- Presione el botón de encendido/detención para empezar a desinflar.
- Una vez desinflado el elemento, presione el botón de encendido/detención para dejar de desinflar.
- Extraiga la manguera jalándola del desinflador.
- Guarde la manguera en el soporte para enrollarla que se encuentra en el lateral izquierdo del producto.

## INFLAR CON LA MANGUERA DE AIRE DE ALTA PRESIÓN

Vea la figura 8, página 11.

El conector de inflado de la manguera de aire de alta presión puede usarse sin los adaptadores para inflar neumáticos o para cualquier aplicación que tenga un vástago de válvula que calce en la abertura del conector de inflado.

**NOTA:** Al inflar artículos a 10 PSI o menos, infle con descargas breves y, después de cada una, compruebe manualmente o con un medidor calibrado para determinar la presión exacta.

- Presione el botón de modo/encendido para encender el medidor digital. La unidad se encenderá en modo de presión alta de forma predeterminada.

**NOTA:** Asegúrese de que el medidor digital esté establecido en 0 antes del uso. Si el medidor dice “Err” o debe restablecerse, mantenga presionado el botón de modo/encendido y el botón de inicio/detención al mismo tiempo durante aproximadamente 5 segundos.

- Fije la presión deseada.
- Rosque la boca de la manguera de aire en el vástago de válvula, asegurándose de que quede bien ajustada. No ajuste demasiado para evitar que se dañe la conexión.
- **NOTA:** La presión de aire actual dentro del elemento aparecerá en la pantalla.
- Presione el botón (+) o (-) para seleccionar la presión de aire necesaria. Mantenga presionado el botón (+) o (-) para incrementar o disminuir la presión de aire en incrementos de 5 PSI.

- Presione el botón de encendido/detención para empezar a inflar.

**NOTA:** La lectura de presión del medidor al inflar un elemento es una medida de la presión fluctuante entre el elemento y la manguera de alta presión. Para obtener una lectura precisa, deje de inflar y siga las instrucciones anteriores para leer la presión de aire.

**NOTA:** Permanezca de pie a una distancia de 3 metros (10 pies) del elemento que esté inflando.

- Apague el inflador y guarde la manguera en el soporte para enrollarla que se encuentra a un lado de la unidad.
- Presione y mantenga presionado el botón de modo/power para desactivar la pantalla.

## INFLAR MANUALMENTE EN APLICACIONES DE ALTA Y BAJA PRESIÓN

- Conecte la manguera de alta o de baja presión al artículo que se va a inflar.
- Presione el botón de modo/encendido para seleccionar la presión alta.
- Presione el botón de encendido/detención hasta alcanzar la presión deseada.
- Apague el inflador y guarde la manguera en el soporte para enrollarla que se encuentra a un lado de la unidad.

## ACCESORIOS

Vea las figuras 9 a 12, páginas 11 y 12.

Los accesorios suministrados cumplen una variedad de funciones. El adaptador conico la puede usarse en válvulas de presión más pequeñas para inflar artículos como, por ejemplo, flotadores y juguetes infantiles, los cuales normalmente exigen que el usuario los infle soplando en su interior. La Aguja pelota deportivo puede usarse para inflar cualquier tipo de balón deportivo o cualquier artículo que requiera una Aguja pelota deportivo de inflado.

# FUNCIONAMIENTO

**NOTA:** Al inflar artículos a 10 PSI o menos, infle con descargas breves y, después de cada una, compruebe manualmente o con un medidor calibrado para determinar la presión exacta.

## Para usar la aguja pelota deportivo:

- Introduzca la Aguja pelota deportivo en la válvula del balón deportivo e infle.
- Retire la aguja al terminar de inflar.

**NOTA:** La presión que necesitan la mayoría de balones deportivos es demasiado baja para leerse en los manómetros con exactitud.

El adaptador de válvula Presta puede usarse para los vástagos de válvula Presta como se describe a continuación. Antes de inflar un neumático con válvula Presta, suelte la contratuerca del vástago de válvula para poder inflar. Una vez inflado, apriete la contratuerca para cerrar la válvula del neumático.

## Para usar el adaptador de válvula Presta:

- Rosque el adaptador de válvula Presta en la boca (extremo) de la manguera de aire de alta presión.
- Afloje la tuerca de seguridad de la válvula Presta en el vástago de válvula.
- Rosque el adaptador de válvula Presta en el vástago de válvula. Ajuste con firmeza, pero no de manera excesiva para evitar que se rompa la conexión.
- Infle como se describió previamente en la sección **Inflar con la manguera de aire de alta presión**.
- Una vez inflado el elemento, retire la boca de la manguera de aire y ajuste la tuerca de seguridad.

- Retire el accesorio de válvula Presta y colóquelo nuevamente en el área de almacenamiento.
- Retire la manguera y guárdela en el soporte para enrollarla que se encuentra en el lateral derecho de la unidad.

## INFLAR CON LA MANGUERA DE AIRE DE PRESIÓN ALTA Y LOS ACCESORIOS

*Vea las figuras 10 a 12, página 12.*

La manguera de aire de alta presión puede usarse con los adaptadores suministrados para inflar una variedad de artículos.

- Para instalar el accesorio, introduzca el adaptador (o agujas) en el conector de inflado. Infle hasta alcanzar la presión deseada.
- Retire el accesorio después de inflar el elemento y colóquelo nuevamente en el área de almacenamiento a un lado de la unidad.

## COMPARTIMIENTO DE ACCESORIOS

*Vea la figura 13, página 12.*

Cuando no se estén usando los adaptadores y agujas suministrados con el inflador, se pueden guardar en la caja desmontable situado en el lado correcto de la herramienta.

## COMPARTIMIENTO DE MANGUERAS

*Vea la figura 13 y 14, página 12.*

Cuando no se estén usando las mangueras suministradas con el inflador, se pueden guardar en los compartimientos correspondientes situados a ambos lados del inflador.

# MANTENIMIENTO

## ADVERTENCIA:

Al dar servicio a la unidad, sólo utilice piezas de repuesto idénticas. El empleo de piezas diferentes puede causar un peligro o dañar el producto.

## ADVERTENCIA:

Use siempre protección ocular con protección lateral con la marca de cumplimiento de la norma ANSI Z87.1 junto con protección auditiva y, si es necesario, un protector para toda la cara. La inobservancia de esta advertencia puede causar el lanzamiento de objetos hacia los ojos y otras lesiones graves.

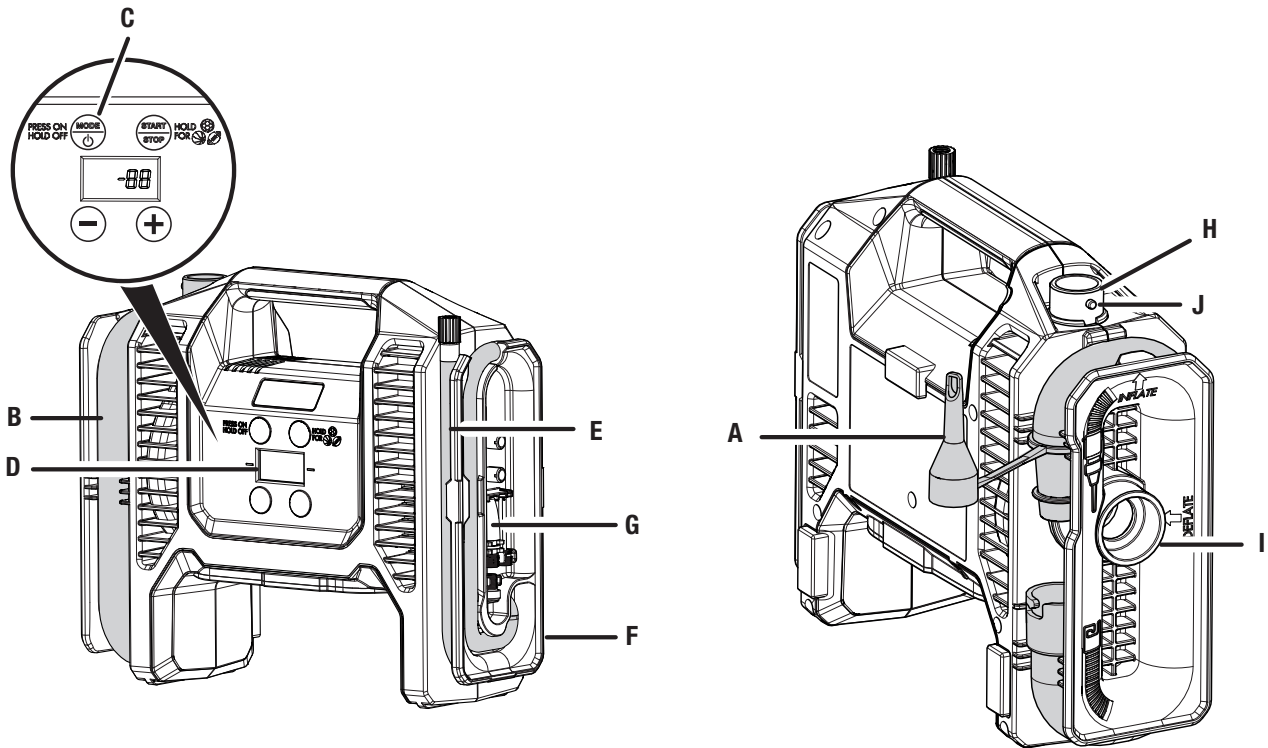
## MANTENIMIENTO GENERAL

Evite el empleo de solventes al limpiar piezas de plástico. La mayoría de los plásticos son susceptibles a diferentes tipos de solventes comerciales y pueden resultar dañados. Utilice paños limpios para eliminar la suciedad, el polvo, el aceite, la grasa, etc.

## ADVERTENCIA:

No permita en ningún momento que fluidos para frenos, gasolina, productos a base de petróleo, aceites penetrantes, etc., lleguen a tocar las piezas de plástico. Las sustancias químicas pueden dañar, debilitar o destruir el plástico, lo cual a su vez puede producir lesiones corporales serias.

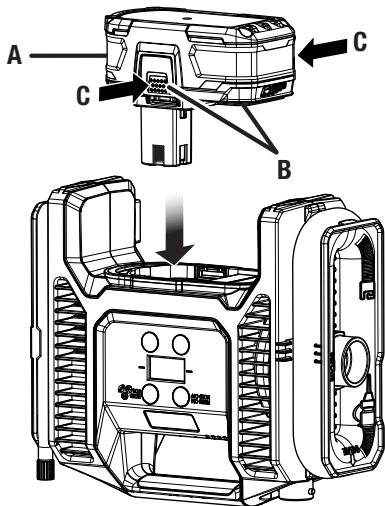




- A - Pinch valve adaptor (pincer adaptateur de soupape, adaptador pellizque válvula)
- B - Low pressure hose (flexible basse pression, baja presión manguera)
- C - Mode/power button (bouton de mode/alimentation, botón de modo/encendido)
- D - Digital gauge (manomètre numérique, manómetro digital)
- E - High pressure hose (flexible haute pression, manguera de alta presión)

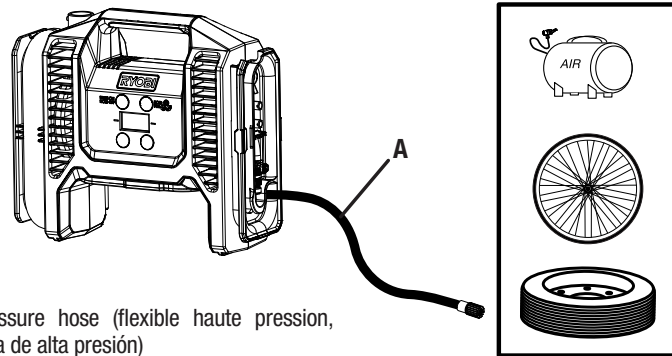
- F - Hose storage area (rangement des flexibles, compartimento para mangueras)
- G - Accessory storage (rangement des accessoires, almacenamiento de accesorios)
- H - Inflator port (port de gonflage, puerto de inflado)
- I - Deflator port (port de dégonflage, puerto de desinflado)
- J - Pin (goupille, pasador)

**Fig. 1**



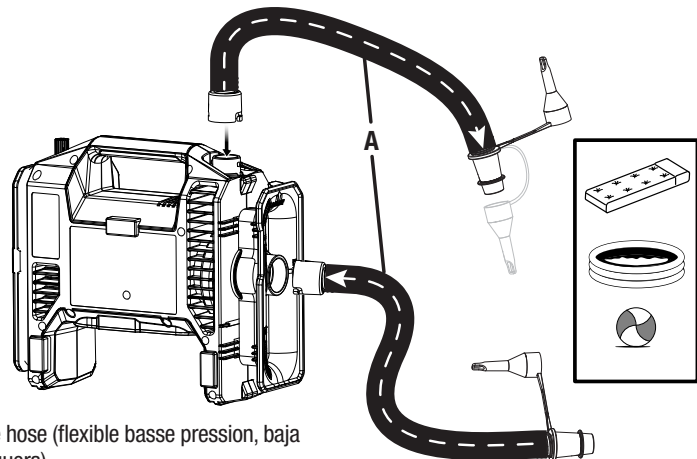
- A - Battery pack (bloc-piles, paquete de baterías)
- B - Latches (loquets, pestillos)
- C - Depress latches to release battery pack (appuyer sur les loquets pour libérer le bloc-piles, para soltar el paquete de baterías, oprima los pestillos)

**Fig. 2**



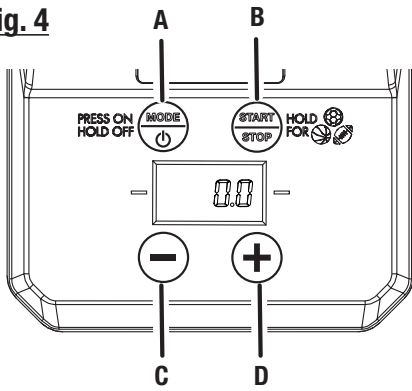
- A - High pressure hose (flexible haute pression, manguera de alta presión)

**Fig. 3**



- A - Low pressure hose (flexible basse pression, baja presión manguera)

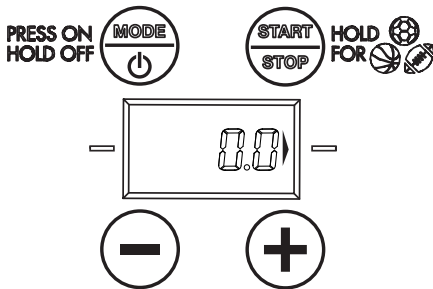
**Fig. 4**



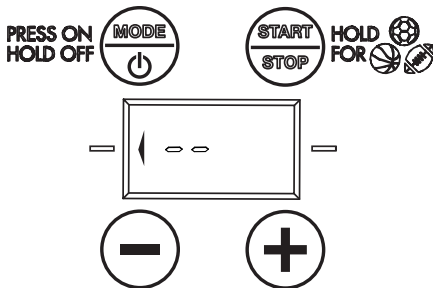
- A - Mode/power button (bouton de mode/alimentation, botón de modo/encendido)
- B - Start/stop switch (commutateur de marche/arrêt, Interruptor de encendido/detención)
- C - (-) Button [(-) bouton, (-) el botón]
- D - (+) Button [(+) bouton, (+) el botón]

**Fig. 5**

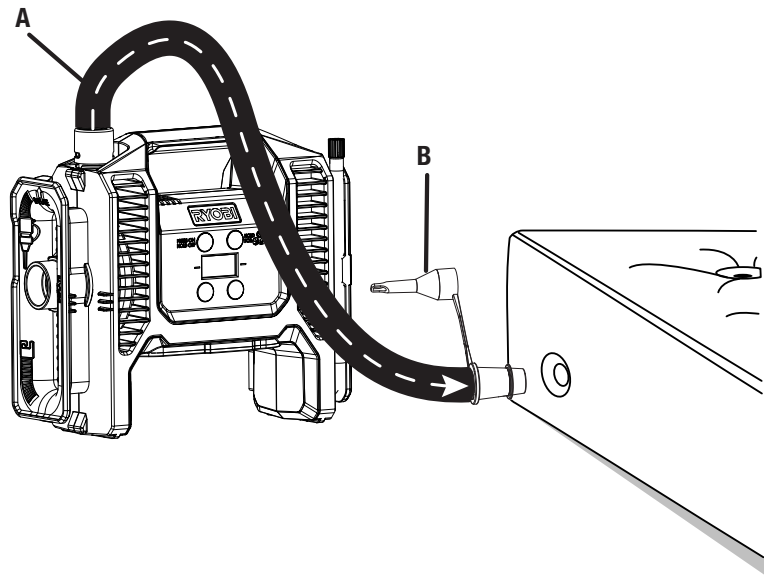
**HIGH PRESSURE MODE DISPLAY**  
**AFFICHAGE DU MODE DE HAUTE PRESSION**  
**PANTALLA DE MODO DE PRESIÓN ALTA**



**LOW PRESSURE MODE DISPLAY**  
**AFFICHAGE DU MODE DE BASSE PRESSION**  
**PANTALLA DE MODO DE PRESIÓN BAJA**

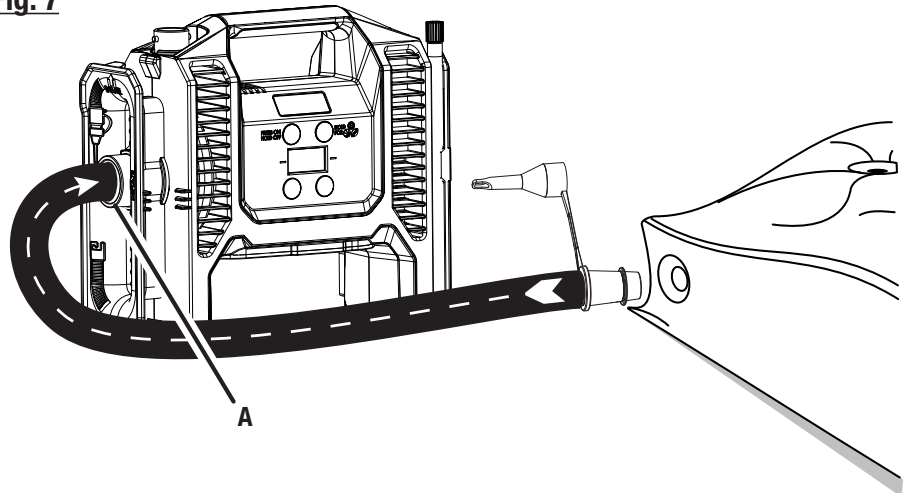


**Fig. 6**



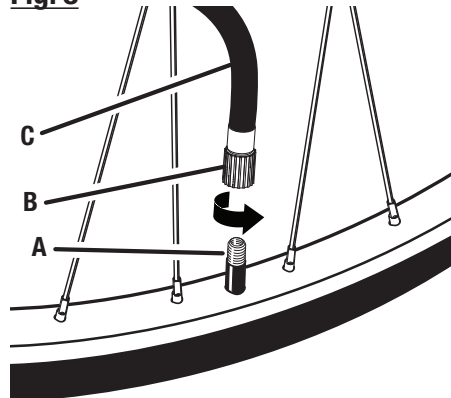
- A - Low pressure hose (flexible basse pression, baja presión manguera)
- B - Pinch valve adaptor (pincer adaptateur de soupape, adaptador pellizque válvula)

**Fig. 7**



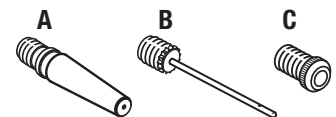
- A - Deflator port (port de dégonflage, puerto de desinflado)

**Fig. 8**



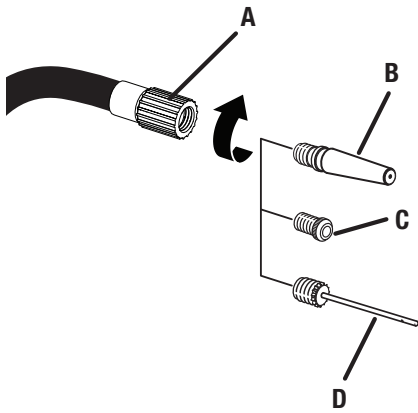
- A - Valve stem (tige de valve, vástago de válvula)
- B - Air chuck (attache de mandrin pneumatique, plato neumático)
- C - Air hose (flexible pneumatique, manguera de aire)

**Fig. 9**



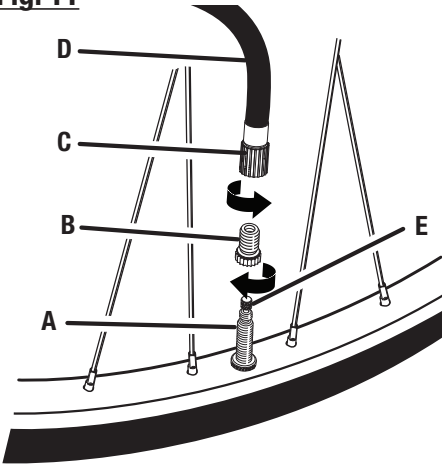
- A - Tapered adaptor (adaptateur effilé, botón de adaptador cónico)
- B - Sport ball needle (aiguille arborer la balle, aguja para inflar pelotas deportivas)
- C - Presta valve adaptor (adaptateur de valve Presta, adaptador de válvula Presta)

**Fig. 10**



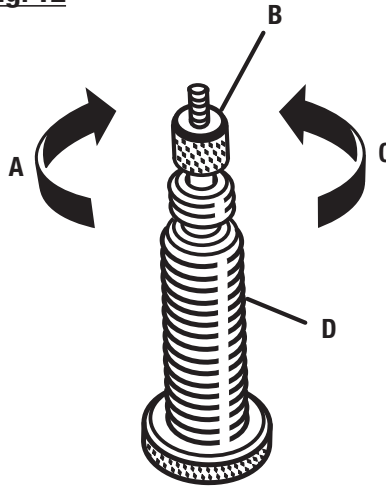
- A - Air chuck (attache de mandrin pneumatique, plato neumático)
- B - Tapered adaptor (adaptateur effilé, botón de adaptador cónico)
- C - Presta valve adaptor (adaptateur de valve Presta, adaptador de válvula Presta)
- D - Sport ball needle (aiguille arborer la balle, aguja para inflar pelotas deportivas)

**Fig. 11**



- A - Presta valve (valve Presta, válvula Presta)
- B - Presta valve adaptor (adaptateur de valve Presta, adaptador de válvula Presta)
- C - Air chuck (attache de mandrin pneumatique, plato neumático)
- D - Air hose (flexible pneumatique, manguera de aire)
- E - Locking nut (écrou de blocage, contratuerca)

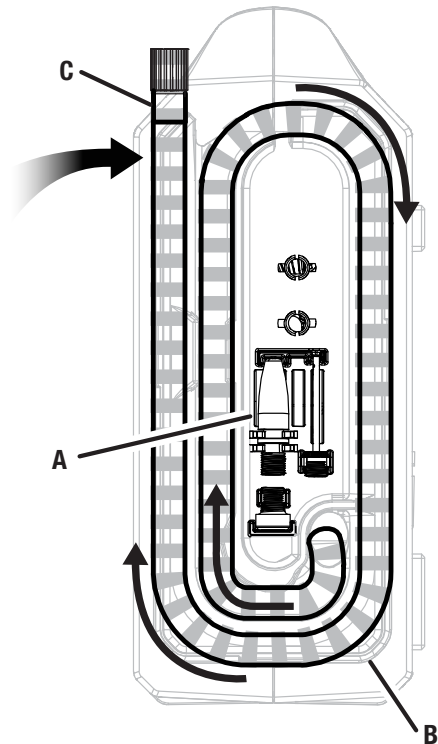
**Fig. 12**



- A - To tighten (pour serrer, para apretar)
- B - Locking nut (écrou de blocage, contratuerca)
- C - To loosen (pour desserrer, para aflojar)
- D - Presta valve stem [tige de valve Presta, vástago de válvula Presta]

**Fig. 13**

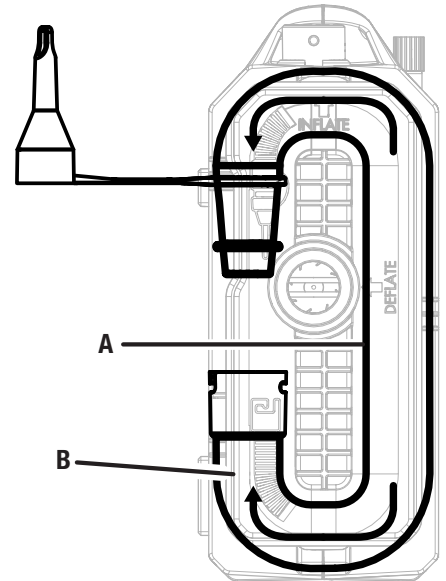
**RIGHT SIDE OF INFLATOR  
CÔTÉ DROIT DU GONFLEUR  
LADO DERECHO DEL INFLADOR**



- A - Accessory storage (rangement des accessoires, almacenamiento de accesorios)
- B - Hose wrap (enrouleur de flexible, enrollar el manguera)
- C - High pressure hose (flexible haute pression, manguera de alta presión)

**Fig. 14**

**LEFT SIDE OF INFLATOR  
CÔTÉ GAUCHE DU GONFLEUR  
LADO IZQUIERDO DEL INFLADOR**



- A - Hose wrap (enrouleur de flexible, enrollar el manguera)
- B - Low pressure hose (flexible basse pression, baja presión manguera)





**OPERATOR'S MANUAL/18 V INFLATOR/DEFLATOR  
MANUEL D'UTILISATION/GONFLAGE-DÉGONFLEUR 18 V  
MANUAL DEL OPERADOR/INFLADOR/DESINFLADOR 18V  
P747**

To request service, purchase replacement parts,  
locate an Authorized Service Center and obtain Customer or Technical Support:

Visit **www.ryobitools.com** or call **1-800-525-2579**

If any parts or accessories are damaged or missing,  
do not return this product to the store. Call **1-800-525-2579** for immediate service.

Please obtain your model and serial number from the product data plate.

**This product is covered under a 3-year limited Warranty. Proof of purchase is required.**

MODEL NUMBER \_\_\_\_\_ SERIAL NUMBER \_\_\_\_\_

RYOBI is a trademark of Ryobi Limited and is used pursuant to a license granted by Ryobi Limited.

Pour faire une demande de réparations ou obtenir des pièces de rechange, trouver un  
Centre de réparations agréé pour obtenir un soutien technique ou le Service à la clientèle :

Visiter **www.ryobitools.com** ou en téléphonant au **1-800-525-2579**

Si des pièces ou accessoires sont manquantes ou endommagées, ne pas retourner  
ce produit au magasin. Appeler immédiatement au **1-800-525-2579** pour obtenir de l'aide.

Inscrire les numéros de modèle et de série inscrits sur la plaque d'identification du produit.

**Ce produit est couvert par une garantie limitée de trois (3) ans. Une preuve d'achat est exigée.**

NUMÉRO DE MODÈLE \_\_\_\_\_ NUMÉRO DE SÉRIE \_\_\_\_\_

RYOBI est une marque de Ryobi Limited et est utilisée en vertu d'une licence accordée par Ryobi Limited.

Para obtener servicio, comprar piezas de repuesto, localizar un centro de servicio autorizado  
y obtener Servicio o Asistencia Técnica al Consumidor:

Visite **www.ryobitools.com** o llame al **1-800-525-2579**

Si hay alguna pieza ou accesorios dañada o faltante, no devuelva este producto a la tienda.  
Llame al **1-800-525-2579** para servicio técnico inmediato.

Obtenga su modelo y número de serie de la placa de datos del producto.

**Este producto está cubierto con una garantía limitada de 3 años. Se solicita prueba de la compra.**

NÚMERO DE MODELO \_\_\_\_\_ NÚMERO DE SERIE \_\_\_\_\_

RYOBI es una marca de Ryobi Limited y se utiliza conforme a una licencia otorgada por Ryobi Limited.

**TTI CONSUMER POWER TOOLS, INC.**

P.O. Box 1288, Anderson, SC 29622 • Phone 1-800-525-2579

États-Unis, Téléphone 1-800-525-2579 • USA, Teléfono 1-800-525-2579

**www.ryobitools.com**