



OPERATOR'S MANUAL
MANUEL D'UTILISATION
MANUAL DEL OPERADOR

5-1/2 in. 18 VOLT FLOORING SAW

SCIE À PLANCHER
DE 139,7 mm (5-1/2 po), 18V

SIERRA PARA PISOS
DE 139,7 mm (5-1/2 pulg.), 18V

PGC21B

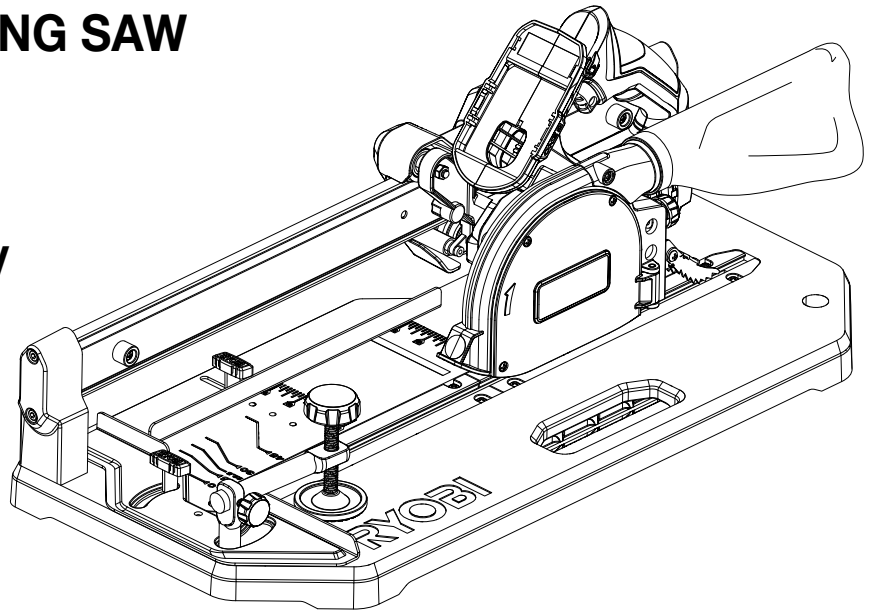


TABLE OF CONTENTS

- General Safety Rules..... 2-3
- Specific Safety Rules 4
- Additional Safety Rules 5-7
- Symbols..... 8
- Glossary of Terms..... 9
- Features..... 10
- Assembly..... 11
- Operation..... 12-16
- Maintenance..... 17
- Accessories 17
- Illustrations 19-24
- Parts Ordering / Service..... Back Page

TABLE DES MATIÈRES

- Règles de sécurité générales 2-3
- Règles de sécurité particulières 3-4
- Règles de sécurité supplémentaires 5-7
- Symboles..... 8
- Glossaire..... 9
- Caractéristiques 10
- Assemblage..... 11
- Utilisation..... 12-16
- Entretien 17-18
- Accessoires 18
- Illustrations 19-24
- Commande de pièces / réparation..... Page arrière

ÍNDICE DE CONTENIDO

- Reglas de seguridad generales 2-3
- Reglas de seguridad específicas 4
- Reglas de seguridad adicionales 5-7
- Símbolos 8
- Glosario de términos 9
- Características 10
- Armado..... 11
- Funcionamiento..... 12-16
- Mantenimiento..... 17-18
- Accesorios..... 18
- Ilustraciones 19-24
- Pedidos de piezas / servicio..... Pág. posterior

⚠ WARNING: To reduce the risk of injury, the user must read and understand the operator's manual before using this product.

⚠ AVERTISSEMENT : Pour réduire les risques de blessures, l'utilisateur doit lire et veiller à bien comprendre le manuel d'utilisation avant d'employer ce produit.

⚠ ADVERTENCIA: Para reducir el riesgo de lesiones, el usuario debe leer y comprender el manual del operador antes de usar este producto.

SAVE THIS MANUAL FOR FUTURE REFERENCE

CONSERVER CE MANUEL POUR FUTURE RÉFÉRENCE

GUARDE ESTE MANUAL PARA FUTURAS CONSULTAS

GENERAL SAFETY RULES



WARNING:

Read all safety warnings, instructions, illustrations and specifications provided with this power tool.

Failure to follow all instructions listed below may result in electric shock, fire and/or serious injury.

Save all warnings and instructions for future reference.

The term “power tool” in the warnings refers to your mains-operated (corded) power tool or battery-operated (cordless) power tool.

WORK AREA SAFETY

- **Keep work area clean and well lit.** Cluttered or dark areas invite accidents.
- **Do not operate power tools in explosive atmospheres, such as in the presence of flammable liquids, gases or dust.** Power tools create sparks which may ignite the dust or fumes.
- **Keep children and bystanders away while operating a power tool.** Distractions can cause you to lose control.

ELECTRICAL SAFETY

- **Power tool plugs must match the outlet. Never modify the plug in any way. Do not use any adapter plugs with earthed (grounded) power tools.** Unmodified plugs and matching outlets will reduce risk of electric shock.
- **Avoid body contact with earthed or grounded surfaces, such as pipes, radiators, ranges and refrigerators.** There is an increased risk of electric shock if your body is earthed or grounded.
- **Do not expose power tools to rain or wet conditions.** Water entering a power tool will increase the risk of electric shock.
- **Do not abuse the cord. Never use the cord for carrying, pulling or unplugging the power tool. Keep cord away from heat, oil, sharp edges or moving parts.** Damaged or entangled cords increase the risk of electric shock.
- **When operating a power tool outdoors, use an extension cord suitable for outdoor use.** Use of a cord suitable for outdoor use reduces the risk of electric shock.
- **If operating a power tool in a damp location is unavoidable, use a ground fault circuit interrupter (GFCI) protected supply.** Use of a GFCI reduces the risk of electric shock.

PERSONAL SAFETY

- **Stay alert, watch what you are doing and use common sense when operating a power tool. Do not use a power tool while you are tired or under the influence of drugs, alcohol or medication.** A moment of inattention while operating power tools may result in serious personal injury.

- **Use personal protective equipment. Always wear eye protection.** Protective equipment such as dust mask, non-skid safety shoes, hard hat, or hearing protection used for appropriate conditions will reduce personal injuries.
- **Prevent unintentional starting. Ensure the switch is in the off-position before connecting to power source and/or battery pack, picking up or carrying the tool.** Carrying power tools with your finger on the switch or energising power tools that have the switch on invites accidents.
- **Remove any adjusting key or wrench before turning the power tool on.** A wrench or a key left attached to a rotating part of the power tool may result in personal injury.
- **Do not overreach. Keep proper footing and balance at all times.** This enables better control of the power tool in unexpected situations.
- **Dress properly. Do not wear loose clothing or jewellery. Keep your hair, clothing and gloves away from moving parts.** Loose clothes, jewellery or long hair can be caught in moving parts.
- **If devices are provided for the connection of dust extraction and collection facilities, ensure these are connected and properly used.** Use of dust collection can reduce dust-related hazards.
- **Do not let familiarity gained from frequent use of tools allow you to become complacent and ignore tool safety principles.** A careless action can cause severe injury within a fraction of a second.

POWER TOOL USE AND CARE

- **Do not force the power tool. Use the correct power tool for your application.** The correct power tool will do the job better and safer at the rate for which it was designed.
- **Do not use the power tool if the switch does not turn it on and off.** Any power tool that cannot be controlled with the switch is dangerous and must be repaired.
- **Disconnect the plug from the power source and/or remove the battery pack, if detachable, from the power tool before making any adjustments, changing accessories, or storing power tools.** Such preventive safety measures reduce the risk of starting the power tool accidentally.
- **Store idle power tools out of the reach of children and do not allow persons unfamiliar with the power tool or these instructions to operate the power tool.** Power tools are dangerous in the hands of untrained users.
- **Maintain power tools and accessories. Check for misalignment or binding of moving parts, breakage of parts and any other condition that may affect the power tool's operation. If damaged, have the power**

GENERAL SAFETY RULES

tool repaired before use. Many accidents are caused by poorly maintained power tools.

- **Keep cutting tools sharp and clean.** Properly maintained cutting tools with sharp cutting edges are less likely to bind and are easier to control.
- **Use the power tool, accessories and tool bits etc. in accordance with these instructions, taking into account the working conditions and the work to be performed.** Use of the power tool for operations different from those intended could result in a hazardous situation.
- **Keep handles and grasping surfaces dry, clean and free from oil and grease.** Slippery handles and grasping surfaces do not allow for safe handling and control of the tool in unexpected situations.

BATTERY TOOL USE AND CARE

- **Recharge only with the charger specified by the manufacturer.** A charger that is suitable for one type of battery pack may create a risk of fire when used with another battery pack.
- **Use battery only with charger listed.** For use with 18 V lithium-ion battery packs, see tool/appliance/battery pack/charger correlation supplement **987000-432**.
- **Use power tools only with specifically designated battery packs.** Use of any other battery packs may create a risk of injury and fire.
- **When battery pack is not in use, keep it away from other metal objects, like paper clips, coins, keys, nails, screws or other small metal objects, that can make a connection from one terminal to another.** Shorting the battery terminals together may cause burns or a fire.
- **Under abusive conditions, liquid may be ejected from the battery; avoid contact. If contact accidentally occurs, flush with water. If liquid contacts eyes, additionally seek medical help.** Liquid ejected from the battery may cause irritation or burns.
- **Do not use a battery pack or tool that is damaged or modified.** Damaged or modified batteries may exhibit unpredictable behavior resulting in fire, explosion, or risk of injury.
- **Do not expose a battery pack or tool to fire or excessive temperature.** Exposure to fire or temperature above 265° F may cause explosion.

- **Follow all charging instructions and do not charge the battery pack or tool outside the temperature range specified in the instructions.** Charging improperly or at temperatures outside the specified range may damage the battery and increase the risk of fire.
- **Battery tools do not have to be plugged into an electrical outlet; therefore, they are always in operating condition. Be aware of possible hazards when not using your battery tool or when changing accessories.** Following this rule will reduce the risk of electric shock, fire, or serious personal injury.
- **Do not place battery tools or their batteries near fire or heat.** This will reduce the risk of explosion and possibly injury.
- **Do not crush, drop or damage battery pack. Do not use a battery pack or charger that has been dropped or received a sharp blow.** A damaged battery is subject to explosion. Properly dispose of a dropped or damaged battery immediately.
- **Batteries can explode in the presence of a source of ignition, such as a pilot light.** To reduce the risk of serious personal injury, never use any cordless product in the presence of open flame. An exploded battery can propel debris and chemicals. If exposed, flush with water immediately.
- **Do not charge battery tool in a damp or wet location. Do not use, store, or charge battery packs or products in locations where the temperature is less than 50°F or more than 100°F.** Do not store outside or in vehicles.
- **Under extreme usage or temperature conditions, battery leakage may occur. If liquid comes in contact with your skin, wash immediately with soap and water. If liquid gets into your eyes, flush them with clean water for at least 10 minutes, then seek immediate medical attention.** Following this rule will reduce the risk of serious personal injury.

SERVICE

- **Have your power tool serviced by a qualified repair person using only identical replacement parts.** This will ensure that the safety of the power tool is maintained.
- **Never service damaged battery packs.** Service of battery packs should only be performed by the manufacturer or authorized service providers.

SPECIFIC SAFETY RULES

- **Flooring saws are intended to cut wood or wood-like products, they cannot be used with abrasive cut-off wheels for cutting ferrous material such as bars, rods, studs, etc.** Abrasive dust causes moving parts such as the guard to jam. Sparks from abrasive cutting will burn the guard, the kerf insert and other plastic parts.
- **Do not use the saw until the table is clear of all tools, wood scraps, etc., except for the workpiece.** Small debris or loose pieces of wood or other objects that contact the revolving blade can be thrown with high speed.
- **Cut only one workpiece at a time.** Stacked multiple workpieces cannot be adequately clamped or braced and may bind on the blade or shift during cutting.
- **Ensure the flooring saw is mounted or placed on a level, firm work surface before use.** A level and firm work surface reduces the risk of the flooring saw becoming unstable.
- **Use the saw on the floor or a secure table to ensure adequate support.**
- **Do not use another person as a substitute for a table extension or as additional support.** Unstable support for the workpiece can cause the blade to bind or the workpiece to shift during the cutting operation pulling you and the helper into the spinning blade.
- **Let the blade reach full speed before contacting the workpiece.** This will reduce the risk of the workpiece being thrown.
- **If the workpiece or blade becomes jammed, turn the flooring saw off. Wait for all moving parts to stop and disconnect the plug from the power source and/or remove the battery pack. Then work to free the jammed material.** Continued sawing with a jammed workpiece could cause loss of control or damage to the flooring saw.
- **Save these instructions.** Refer to them frequently and use to instruct other users. If you loan someone this tool, loan them these instructions also.

FOR RIP CUTS

- **Never cross your hand over the intended line of cutting either in front or behind the saw blade.** Supporting the workpiece "cross handed" i.e. holding the workpiece to the right of the saw blade with your left hand or vice versa is very dangerous.
- **Do not reach behind the fence with either hand closer than 4 in. (100 mm) from either side of the saw blade, to remove wood scraps, or for any other reason while the blade is spinning.** The proximity of the spinning saw blade to your hand may not be obvious and you may be seriously injured.

- **After finishing the cut, release the switch and wait for the blade to stop before removing the cut-off piece.** Reaching with your hand near the coasting blade is dangerous.
- **Make sure the flooring saw is locked during rip cutting and fences are locked in place before cutting.**

FOR CROSS CUTS

- **Use clamps to support the workpiece whenever possible. If supporting the workpiece by hand, you must always keep your hand at least 4 in. (100 mm) from either side of the saw blade. Do not use this saw to cut pieces that are too small to be securely clamped or held by hand.** If your hand is placed too close to the saw blade, there is an increased risk of injury from blade contact.
- **Plan your work. Every time you change the bevel or miter angle setting, make sure the adjustable fence is set correctly to support the workpiece and will not interfere with the blade or the guarding system.** Without turning the tool "ON" and with no workpiece on the table, move the saw blade through a complete simulated cut to assure there will be no interference or danger of cutting the fence.
- **The cut-off piece must not be jammed or pressed by any means against the spinning saw blade.** If confined, i.e. using length stops, the cut-off piece could get wedged against the blade and thrown violently.
- **The workpiece must be stationary and clamped or held against both the fence and the table. Do not feed the workpiece into the blade or cut "freehand" in any way.** Unrestrained or moving workpieces could be thrown at high speeds, causing injury.
- **Inspect your workpiece before cutting. If the workpiece is bowed or warped, clamp it with the outside bowed face toward the fence. Always make certain that there is no gap between the workpiece, fence and table along the line of the cut.** Bent or warped workpieces can twist or shift and may cause binding on the spinning saw blade while cutting. There should be no nails or foreign objects in the workpiece.
- **Always use a clamp or a fixture designed to properly support round material such as rods or tubing.** Rods have a tendency to roll while being cut, causing the blade to bite and pull the work with your hand into the blade.
- **Push the saw through the workpiece. Do not pull the saw through the workpiece. To make a cut, start the saw and push the saw through the workpiece.** Cutting on the pull stroke is likely to cause the saw blade to climb on top of the workpiece and violently throw the blade assembly towards the operator.

ADDITIONAL SAFETY RULES

- **Know your power tool.** Read the operator's manual carefully. Learn the applications and limitations as well as the specific potential hazards related to this tool.
- **Always wear eye protection with side shields which is marked to comply with ANSI Z87.1 when using this product.** Failure to do so could result in objects being thrown into your eyes, resulting in possible serious injury.
- **Never stand on tool.** Serious injury could occur if the tool is tipped or if the cutting tool is unintentionally contacted.
- **Never touch blade** or other moving parts during use.
- **Double check all setups.** Make sure blade is tight and not making contact with saw or workpiece before connecting to power supply.
- **If you choose to use the saw on a workbench or table, firmly clamp or bolt your tool to the work surface at approximately hip height.**
- **Never move the workpiece or make adjustment to any cutting angle while the saw is running and the blade is rotating.** Any slip can result in contact with the blade causing serious personal injury.
- **Avoid awkward operations and hand positions** where a sudden slip could cause your hand to move into the blade. **ALWAYS** make sure you have good balance.
- **Do not turn the motor switch on and off rapidly.** This could cause the saw blade to loosen and could create a hazard. Should this ever occur, stand clear and allow the saw blade to come to a complete stop. Disconnect your saw from the power supply and securely retighten the blade bolt.
- **If any part of this flooring saw is missing** or should break, bend, or fail in any way, or should any electrical component fail to perform properly, shut off the power switch, remove the flooring saw plug from the battery and have damaged, missing, or failed parts replaced before resuming operation.
- **Always turn off the saw** before removing the battery to avoid accidental starting when reconnecting to power supply. **NEVER** leave the saw unattended with battery installed.
- **This tool** should have the following markings:
 - To reduce the risk of injury, user must read the operator's manual.
 - Wear eye protection.
 - Keep hands and body out of the path of the saw blade. Contact with the blade will result in serious injury.
 - Check guarding system to make sure it is functioning correctly.
 - Do not perform any operation freehand.
 - Never reach around the saw blade.
 - Turn off tool and wait for saw blade to stop before moving workpiece or changing settings.
 - Remove the battery pack before changing blade or servicing.
- **Always** carry the tool only by the carrying handle.
- **Always make sure the saw blade has clearance of all obstructions before turning the saw on.**
- **Use a different blade for each type of material being cut such as LVT and wood flooring.**

GUARDING RELATED WARNINGS

- **Keep guards in place. Guards must be in working order and be properly mounted.** A guard that is loose, damaged, or is not functioning correctly must be repaired or replaced.
- **Always use saw blade guard, riving knife and anti-kickback device for every rip cut.**
- **Make sure the saw blade is not contacting the guard, riving knife or the workpiece before the switch is turned on.** Inadvertent contact of these items with the saw blade could cause a hazardous condition.
- **Adjust the riving knife as described in this instruction manual.** Incorrect spacing, positioning and alignment can make the riving knife ineffective in reducing the likelihood of kickback.
- **For the riving knife and anti-kickback device to work, they must be engaged in the workpiece.** The riving knife and anti-kickback device are ineffective when cutting workpieces that are too short to be engaged with the riving knife and anti-kickback device. Under these conditions a kickback cannot be prevented by the riving knife and antikickback device.
- **Use the appropriate saw blade for the riving knife.** For the riving knife to function properly, the saw blade diameter must match the appropriate riving knife and the body of the saw blade must be thinner than the thickness of the riving knife and the cutting width of the saw blade must be wider than the thickness of the riving knife.

CUTTING PROCEDURES WARNINGS

- **DANGER: Never place your fingers or hands in the vicinity or in line with the saw blade.** A moment of inattention or a slip could direct your hand towards the saw blade and result in serious personal injury.
- **Feed the workpiece into the saw blade only against the direction of rotation.** Feeding the workpiece in the same direction that the saw blade is rotating above the table may result in the workpiece, and your hand, being pulled into the saw blade.
- **When ripping, always apply the workpiece feeding force between the fence and the saw blade. Use a push stick when the distance between the fence and the saw blade is less than 6 in. (150 mm), and use a push block when this distance is less than 2 in. (50 mm).** Work helping devices will keep your hand at a safe distance from the saw blade.

ADDITIONAL SAFETY RULES

- **Use only the push stick provided by the manufacturer or constructed in accordance with the instructions.** This push stick provides sufficient distance of the hand from the saw blade.
- **Never use a damaged or cut push stick.** A damaged push stick may break causing your hand to slip into the saw blade.
- **Do not perform any operation freehand. Always use either the rip fence or the miter gauge to position and guide the workpiece.** Freehand means using your hands to support or guide the workpiece, in lieu of a rip fence or miter gauge. Freehand sawing leads to misalignment, binding and kickback.
- **Never reach around or over a rotating saw blade.** Reaching for a workpiece may lead to accidental contact with the moving saw blade.
- **Provide auxiliary workpiece support to the rear and/or sides of the saw table for long and/or wide workpieces to keep them level.** A long and/or wide workpiece has a tendency to pivot on the table's edge, causing loss of control, saw blade binding and kickback.
- **Feed workpiece at an even pace. Do not bend or twist the workpiece. If jamming occurs, turn the tool off immediately, unplug the tool then clear the jam.** Jamming the saw blade by the workpiece can cause kickback or stall the motor.
- **Do not remove pieces of cut-off material while the saw is running.** The material may become trapped between the fence or inside the saw blade guard and the saw blade pulling your fingers into the saw blade. Turn the saw off and wait until the saw blade stops before removing material.
- **Use an auxiliary fence in contact with the table top when ripping workpieces less than 1/16 in. (2 mm) thick.** A thin workpiece may wedge under the rip fence and create a kickback.
- **When using saw on a table or workbench, stand at a 45 degree angle to the saw. Always position your body on the same side of the saw blade as the fence.** Kickback may propel the workpiece at high velocity towards anyone standing in front and in line with the saw blade.
- **Never reach over or in back of the saw blade to pull or to support the workpiece.** Accidental contact with the saw blade may occur or kickback may drag your fingers into the saw blade.
- **Never hold and press the workpiece that is being cut off against the rotating saw blade.** Pressing the workpiece being cut off against the saw blade will create a binding condition and kickback.
- **Align the fence to be parallel with the saw blade.** A misaligned fence will pinch the workpiece against the saw blade and create kickback.
- **Use a featherboard to guide the workpiece against the table and fence when making non-through cuts such as rabbeting, dadoing or resawing cuts.** A featherboard helps to control the workpiece in the event of a kickback.
- **Support large panels to minimise the risk of saw blade pinching and kickback.** Large panels tend to sag under their own weight. Support(s) must be placed under all portions of the panel overhanging the table top.
- **Use extra caution when cutting a workpiece that is twisted, knotted, warped or does not have a straight edge to guide it with a miter gauge or along the fence.** A warped, knotted, or twisted workpiece is unstable and causes misalignment of the kerf with the saw blade, binding and kickback.
- **Never cut more than one workpiece, stacked vertically or horizontally.** The saw blade could pick up one or more pieces and cause kickback.
- **When restarting the saw with the saw blade in the workpiece, centre the saw blade in the kerf so that that the saw teeth are not engaged in the material. If the saw blade binds, it may lift up the workpiece and cause kickback when the saw is restarted.**
- **Keep saw blades clean, sharp, and with sufficient set. Never use warped saw blades or saw blades with cracked or broken teeth. Sharp and properly set saw blades minimise binding, stalling and kickback.**

KICKBACK CAUSES AND RELATED WARNINGS

Kickback is a sudden reaction of the workpiece due to a pinched, jammed saw blade or misaligned line of cut in the workpiece with respect to the saw blade or when a part of the workpiece binds between the saw blade and the rip fence or other fixed object.

Most frequently during kickback, the workpiece is lifted from the table by the rear portion of the saw blade and is propelled towards the operator.

Kickback is the result of saw misuse and/or incorrect operating procedures or conditions and can be avoided by taking proper precautions as given below.

FLOORING SAW OPERATING PROCEDURE WARNINGS




- **Turn off the flooring saw and disconnect the power cord or remove battery pack when removing the table insert, changing the saw blade or making adjustments to the riving knife, antikickback device or saw blade**

ADDITIONAL SAFETY RULES







- guard, and when the machine is left unattended. Precautionary measures will avoid accidents.
- **Never leave the flooring saw running unattended. Turn it off and don't leave the tool until it comes to a complete stop.** An unattended running saw is an uncontrolled hazard.
 - **Locate the flooring saw in a well-lit and level area where you can maintain good footing and balance. It should be installed in an area that provides enough room to easily handle the size of your workpiece.** Cramped, dark areas, and uneven slippery floors invite accidents.
 - **Frequently clean and remove sawdust from around the saw table and/or the dust collection device.** Accumulated sawdust is combustible and may self-ignite.
 - **Remove tools, wood scraps, etc. from the table before the flooring saw is turned on.** Distraction or a potential jam can be dangerous.
 - **Always use saw blades with correct size and shape (diamond versus round) of arbor holes.** Saw blades that do not match the mounting hardware of the saw will run off-centre, causing loss of control. The maximum blade capacity of your saw is 5-1/2 in.
 - **Never use damaged or incorrect saw blade mounting means such as flanges, saw blade washers, bolts or nuts.** These mounting means were specially designed for your saw, for safe operation and optimum performance.
 - **Make sure that the saw blade is installed to rotate in the proper direction. Do not use grinding wheels, wire brushes, or abrasive wheels on a flooring saw.** Improper saw blade installation or use of accessories not recommended may cause serious injury.

SYMBOLS

The following signal words and meanings are intended to explain the levels of risk associated with this product.

SYMBOL	SIGNAL	MEANING
	DANGER:	Indicates a hazardous situation, which, if not avoided, will result in death or serious injury.
	WARNING:	Indicates a hazardous situation, which, if not avoided, could result in death or serious injury.
	CAUTION:	Indicates a hazardous situation, that, if not avoided, may result in minor or moderate injury.
	CAUTION:	(Without Safety Alert Symbol) Indicates information considered important, but not related to a potential injury (e.g. messages relating to property damage).

Some of the following symbols may be used on this tool. Please study them and learn their meaning. Proper interpretation of these symbols will allow you to operate the tool better and safer.

SYMBOL	NAME	DESIGNATION/EXPLANATION
	Safety Alert	Indicates a potential personal injury hazard.
	Read Operator's Manual	To reduce the risk of injury, user must read and understand operator's manual before using this product.
	Eye Protection	Always wear eye protection with side shields marked to comply with ANSI Z87.1.
	No Hands Symbol	Failure to keep your hands away from the blade will result in serious personal injury.
	Wet Conditions Alert	Do not expose to rain or use in damp locations.
V	Volts	Voltage
A	Amperes	Current
Hz	Hertz	Frequency (cycles per second)
min	Minutes	Time
	Direct Current	Type or a characteristic of current
n_0	No Load Speed	Rotational speed, at no load
.../min	Per Minute	Revolutions, strokes, surface speed, orbits, etc., per minute

GLOSSARY OF TERMS

Anti-Kickback Pawls (flooring, radial arm, and table saws)

A device which, when properly installed and maintained, is designed to stop the workpiece from being kicked back toward the front of the saw during a ripping operation.

Arbor

The shaft on which a blade or cutting tool is mounted.

Bevel Cut

A cutting operation made with the blade at any angle other than 90° to the table surface.

Compound Cut

A cross cut made with both a miter and a bevel angle.

Cross Cut

A cutting or shaping operation made across the grain or the width of the workpiece.

Cutterhead (planers and jointer planers)

A rotating cutterhead with adjustable blades or knives. The blades or knives remove material from the workpiece.

Dado Cut

A non-through cut which produces a square-sided notch or trough in the workpiece (requires a special blade).

Featherboard

A device used to help control the workpiece by holding it securely against the table or fence during any ripping operation.

FPM or SPM

Feet per minute (or strokes per minute), used in reference to blade movement.

Freehand

Performing a cut without the workpiece being guided by a fence, miter gauge, or other aids.

Gum

A sticky, sap-based residue from wood products.

Heel

Alignment of the blade to the fence.

Kerf

The material removed by the blade in a through cut or the slot produced by the blade in a non-through or partial cut.

Kickback

A hazard that can occur when the blade binds or stalls, throwing the workpiece back toward operator.

Miter Cut

A cutting operation made with the workpiece at any angle to the blade other than 90°.

Non-Through Cuts

Any cutting operation where the blade does not extend completely through the thickness of the workpiece.

Pilot Hole (drill presses)

A small hole drilled in a workpiece that serves as a guide for drilling large holes accurately.

Push Blocks (jointer planers)

Device used to feed the workpiece over the jointer planer cutterhead during any operation. This aid helps keep the operator's hands well away from the cutterhead.

Push Blocks (flooring and table saws)

Device used to hold the workpiece during cutting operations. This aid helps keep the operator's hands well away from the blade.

Push Sticks (flooring and table saws)

Device used to push the workpiece during cutting operations. A push stick should be used for narrow ripping operations. The aid helps keep the operator's hands well away from the blade.

Resaw

A cutting operation to reduce the thickness of the workpiece to make thinner pieces.

Resin

A sticky, sap-based substance that has hardened.

Revolutions Per Minute (RPM)

The number of turns completed by a spinning object in one minute.

Ripping or Rip Cut

A cutting operation along the length of the workpiece.

Riving Knife/Spreader/Splitter (flooring and table saws)

A metal piece, slightly thinner than the blade, which helps keep the kerf open and also helps to prevent kickback.

Saw Blade Path

The area over, under, behind, or in front of the blade. As it applies to the workpiece, that area which will be or has been cut by the blade.

Set

The distance that the tip of the saw blade tooth is bent (or set) outward from the face of the blade.

Snipe (planers)

Depression made at either end of a workpiece by cutter blades when the workpiece is not properly supported.

Through Sawing

Any cutting operation where the blade extends completely through the thickness of the workpiece.

Throw-Back

The throwing back of a workpiece usually caused by the workpiece being dropped into the blade or being placed inadvertently in contact with the blade.

Workpiece or Material

The item on which the operation is being done.

Worktable

Surface where the workpiece rests while performing a cutting, drilling, planing, or sanding operation.

FEATURES

PRODUCT SPECIFICATIONS

Blade Diameter.....	5-1/2 in.	Cross Cut Capacity	10 in. / 15 in.
Blade Arbor	3/8 in.	Maximum Cutting Depth	3/4 in.
Rip Capacity.....	8 in.	Input	18 Volt DC
Miter Capacity	10 in. at 45° / 15 in. at 0°	No Load Speed	6000/min. (RPM)

KNOW YOUR FLOORING SAW

See Figure 1, page 16.

The safe use of this product requires an understanding of the information on the tool and in this operator's manual as well as a knowledge of the project you are attempting. Before use of this product, familiarize yourself with all operating features and safety rules.

5-1/2 in. BLADE

A 5-1/2 in. blade is included with the saw. It will cut materials up to 3/4 in. thick.

WARNING:

Do not use blades rated less than the speed of this tool. Failure to heed this warning could result in personal injury.

ANTI-KICKBACK PAWLS (FOR USE WITH RIP CUTS)

Kickback is a hazard in which the workpiece is thrown back toward the operator. The teeth on the anti-kickback pawls point away from the workpiece. If the workpiece should be pulled back toward the operator, the teeth dig into the workpiece to help prevent or reduce the possibility of kickback.

BLADE GUARD

Always keep the blade guard down and over the saw blade for all cuts.

BLADE WRENCH STORAGE

A blade wrench is packed with the saw. One end of the wrench is a Phillips screwdriver and the other end is a hex key. Use the hex key when installing or removing blade and the phillips when removing or loosening screws. A storage area for the blade wrench is located under the saw's table.

CARRYING HANDLE

For convenience when carrying or transporting the saw from one place to another, a carrying handle has been provided on the side of the saw.

DUST BAG /DUST EXHAUST OUTLET

A dust exhaust outlet makes dustless cutting possible by blowing the dust away from the user. A dust bag is provided to attach to the dust exhaust outlet or the outlet can be connected to a dust collection system or 2-1/4 in. (57.15 mm) shop vacuum hose.

FENCE LOCK KNOB

With the locator pin in place, the fence lock knob locks the fence to the table at the desired cutting angle.

MITER/CROSS CUT FENCE

The miter/cross cut fence attaches to the saw table and is used for straight or angled cuts. It is stored on the underside of the saw table.

RIP CUT FENCE

The rip fence attaches to the table and is used for straight cuts. It is stored on the underside of the saw table.

RIP GROOVE

The rip fence guide pins ride in the rip groove on the saw table to secure the fence in place when making rip cuts.

RIVING KNIFE

A metal piece, slightly thinner than the saw blade which helps keep the kerf open and prevent kickback.

SLIDE LOCK LEVER

The slide lock lever locks and unlocks the sliding feature of this tool.

SPINDLE LOCK BUTTON

The spindle lock button locks the spindle and stops the blade from rotating. Depress and hold the lock button while installing, changing, or removing blade.

SWITCH TRIGGER

The saw will not start until you depress the trigger lockout lever and squeeze the switch trigger. To prevent unauthorized use of the flooring saw, remove the battery and lock the switch in the off position. To lock the switch, install a padlock (not included) through the hole in the switch trigger and make certain the switch is inoperable.

ASSEMBLY

PACKING LIST

See Figure 2, page 16.

The following items are included with the saw:

Key	
No.	Description
A	Miter/Cross Cut Fence1
B	Fence Lock Knob2
C	Dust Bag.....1
D	Rip Cut Fence.....1
E	Push Stick1
F	Work Clamp.....1
G	Combination Wrench.....1
H	Extra 5/8" Arbor Spacer1
	Operator's Manual (not shown)1

UNPACKING

This product ships completely assembled.

- Carefully lift saw from carton and place on a level work surface.

WARNING:

Do not use this product if it is not completely assembled or if any parts appear to be missing or damaged. Use of a product that is not properly and completely assembled or with damaged or missing parts could result in serious personal injury.

- Inspect the tool carefully to make sure no breakage or damage occurred during shipping.
- Do not discard the packing material until you have carefully inspected and satisfactorily operated the product.
- The saw is factory set for accurate cutting. After assembling it, check for accuracy. If shipping has influenced the settings, take to an authorized service center.
- If any parts are damaged or missing, please call 1-800-525-2579 for assistance.

WARNING:

If any parts are damaged or missing do not operate this product until the parts are replaced. Use of this product with damaged or missing parts could result in serious personal injury.

WARNING:

Do not attempt to modify this product or create accessories not recommended for use with this tool. Any such alteration or modification is misuse and could result in a hazardous condition leading to possible serious personal injury.

WARNING:

When using saw on a table or workbench, stand at a 45 degree angle to the saw. Do not allow hands to come closer than 4 in. (100 mm) to the blade. Do not reach over or across the blade. Failure to heed this warning can result in serious personal injury.

WARNING:

The saw ships with both fences installed on the saw table, however when using the saw, only one fence can be used at a time. Do not use both fences at the same time.

OPERATION

MOUNTING HOLES

See Figure 3, page 17.

The saw can be mounted to a firm supporting surface such as a workbench or mounting boards, if desired. The saw base has four mounting holes for this purpose. Trace mounting holes onto mounting surface as shown. Secure using bolts and washers (not included). Bolts should be of sufficient length to accommodate the saw base, washers, and the thickness of the workbench or mounting board. Tighten bolts securely.

Carefully check the workbench after mounting to make sure that no movement can occur during use. If any tipping, sliding, or walking is noted, secure the workbench to the floor before operating.

WORK CLAMP

See Figure 4, page 17.

WARNING:

In some operations, the work clamp assembly may interfere with the operation of the blade guard assembly. Always make sure there is no interference with the blade guard prior to beginning any cutting operation to reduce the risk of serious personal injury.

The work clamp provides greater control by clamping the workpiece to the fence or the saw table. It also prevents the workpiece from creeping toward the saw blade. This is very helpful when cutting miters. Depending on the cutting operation and the size of the workpiece, it may be necessary to use a C-clamp or other suitable clamp instead of the work clamp to secure the workpiece prior to making the cut.

To install the work clamp:

- Remove the battery pack.
- Align the work clamp shaft in the corresponding hole located at the end of the saw table. Clamp will only install in one position.
- Rotate the work clamp knob to move it up or down as needed to secure the workpiece.

To use the work clamp:

- With fence mounted to the flooring saw (see instructions below), place the workpiece firmly against the fence.
- Rotate the knob on the work clamp to move the clamp up or down as needed. Do not overtighten.
- Use the adjusting knob to adjust the length or rotation of the clamp.

TO INSTALL FENCE FOR MAKING MITER / CROSS CUTS

See Figures 5 - 6, page 17.

- Remove the battery pack.
- Remove fence lock knob from slide rail.
- Install fence.

- Place the fence lock knob into the miter groove and the locator pin (under center of fence) in the anchor hole.
- Slide the adjusting clamp along the miter groove until reaching the desired angle.
- Insert the work clamp through the hole in the miter fence and into the hole on the table. Do not tighten clamp knob.
- Tighten the fence lock knob to secure the miter fence.
- Tighten the clamp knob securely to the work piece.

TO INSTALL FENCE FOR MAKING RIP CUTS

See Figure 7, page 18.

- Remove the battery pack.
- Remove fence lock knob and washer from slide rail.
- With the fence parallel to the saw table, place the locator pins in the right groove of the saw table and the left side of the fence in the left groove of the saw table.
- Slide the adjusting clamp along the rip groove until reaching the desired distance for the cut.
- Place the fence lock knob into the corresponding hole of the saw table.
- Using the scales on the saw table, check that both the left and right sides of the fence are the same distance from the blade so the fence is squared to the blade.
- Tighten the fence lock knob and washer to secure the miter fence.
- Tighten the clamp knob securely to the work piece.

TO USE THE DUST BAG

See Figure 8, page 18.

- Remove the battery pack.
- Slide dust bag onto dust exhaust port.

WARNING:

Collected dust from surface coatings such as polyurethanes, linseed oil, etc., can self-ignite in the dust bag or elsewhere and cause fire. To reduce the risk of fire, always empty the dust bag frequently (10-15 minutes) and never store or leave the tool without totally emptying its dust bag. Also follow the recommendations of the coatings manufacturers.

TO USE WITH A SHOP VACUUM OR DUST COLLECTION SYSTEM

You can easily attach a shop vacuum or dust collection system to the saw.

To attach:

- Remove the battery pack.
- Remove dust bag from saw.
- Attach vacuum hose to dust exhaust port.

OPERATION

WARNING:

When not connected to vacuum, always install the dust bag back on saw. Failure to do so could cause dust or foreign objects to be thrown into the face or eyes which could result in possible serious injury.

WARNING:

Do not allow familiarity with tools to make you careless. Remember that a careless fraction of a second is sufficient to inflict serious injury.

WARNING:

Always wear eye protection with side shields marked to comply with ANSI Z87.1. Failure to do so could result in objects being thrown into your eyes, resulting in possible serious injury.

WARNING:

Do not use any attachments or accessories not recommended by the manufacturer of this tool. The use of attachments or accessories not recommended can result in serious personal injury.

APPLICATIONS

This product has been designed only for the purpose listed below:

- Cutting laminate, engineered LVT, and solid, hardwood flooring material up to 3/4 in. thick

WARNING:

NEVER make adjustment to any cutting angle while the saw is running and the blade is rotating. Any slip can result in contact with the blade causing serious personal injury.

INSTALLING/REMOVING THE BATTERY PACK

See Figure 9, page 18.

- Insert the battery pack into the product as shown.
- Make sure the latches on each side of the battery pack snap in place and that battery pack is secured in the product before beginning operation.

WARNING:

Always remove battery pack from your tool when you are assembling parts, making adjustments, cleaning, transporting, or when not in use. Removing battery pack will prevent accidental starting that could cause serious personal injury.

- Depress the latches to remove the battery pack.

For complete charging instructions, see the operator's manuals for your battery pack and charger.

AVOIDING KICKBACK

- Inspect the work for knots or nails before beginning a cut. Knock out any loose knots with a hammer. Never saw into a loose knot or nail.
- Always use the fence when rip cutting. This helps prevent twisting the wood in the cut.
- Always use clean, sharp, and properly set blades. Never make cuts with dull blades.
- To avoid pinching the blade, support the work properly before beginning a cut.
- When making a cut, use steady, even pressure. Never force cuts.
- Do not cut wet or warped lumber.
- Use extra caution when cutting some prefinished or composition wood products as the anti-kickback pawls may not always be effective.
- Always guide your workpiece with both hands or with push sticks and/or push blocks. Keep your body in a balanced position to be ready to resist kickback should it occur. Never stand directly in line with the blade.
- Clean the saw, blade guard, under the throat plate, and any areas where saw dust or scrap workpieces may gather.
- Use the right type of blade for the cut being made.
- Always use the riving knife for every operation where it is allowed. The use of this device will greatly reduce the risk of kickback.

STARTING/STOPPING THE SAW

See Figure 10, page 18.

To start the saw:

- Depress the lock-out lever.
- Depress the switch trigger.

Always let the blade reach full speed, then guide the saw into the workpiece.

- For rip cuts, engage the lock-on feature by depressing the lock-on button and switch trigger. Push in and hold the lock-on button located on the side of the handle, then release the switch trigger.

OPERATION

WARNING:

The blade coming in contact with the workpiece before it reaches full speed could cause the saw to “kickback” towards you resulting in serious injury.

To stop the saw: release the switch trigger.

After you release the switch trigger, allow the blade to come to a complete stop. **Do not remove the saw from the workpiece while the blade is moving.**

To lock the saw:

Install a padlock (not included) through the hole in the switch trigger and make certain the switch is inoperable. If the switch is still operable with the padlock installed, a padlock with a larger shackle diameter must be used. Store the padlock key in another location.

TO RAISE AND LOWER ANTI-KICKBACK PAWLS

See Figure 11, page 18.

The anti-kickback pawls are spring-loaded and very sharp. Use only one finger to raise or lower these pawls while carefully keeping all body parts away from the sharp points of the pawls.

- Rotate anti-kickback release knob counterclockwise to loosen.
- From behind the saw, place one finger under the anti-kickback pawls.
- Raise or lower to adjust the height of the anti-kickback pawls based on the thickness of the material to be cut.
- Rotate anti-kickback release knob clockwise to tighten.
- When cross cutting, lift the anti-kickback pawls using the knob to ensure no interference with the workpiece during operation.

MAKING CUTS

This saw can perform a variety of cuts that are not all mentioned in this manual. DO NOT attempt to make any cuts not covered here unless you are thoroughly familiar with the proper procedures and necessary accessories. Your local library has many books on saw usage and specialized woodworking procedures for your reference.

The blade provided with your saw is a high-quality combination blade suitable for ripping and cross cut operations. Carefully check all setups and rotate the blade one full revolution to assure proper clearance before connecting saw to power source.

WARNING:

Do not use blades rated less than the speed of this tool. Failure to heed this warning could result in personal injury.

WARNING:

Always keep hands and body out of the path of the saw blade. Failure to heed this warning could result in personal injury.

TO MAKE A CROSS CUT

See Figure 12, page 18.

A cross cut is made by cutting across the width of the workpiece.

- Remove the battery pack.
- Remove the work clamp from its storage area under the saw table.
- Install the work clamp on the fence (see **To Install The Work Clamp** earlier in this manual).
- Place the miter fence in the cross cut position (see **To Install Fence For Making Miter / Cross Cuts** earlier in this manual) and set at 0°. Tighten the clamp knob securely.
- Lower the slide lock lever and push the saw to the rear of the saw table.
- Place the workpiece flat on the saw table with one edge securely against the fence.
- Align cutting line on the workpiece with the edge of saw blade. Use the work clamp to secure the workpiece. Do not overtighten.
- Insert battery in the saw.
- Disengage the anti-kickback pawls.
- Make sure the wood is clear of the blade before turning on the saw.

NOTE: Raise the anti-kickback pawls when making cross cuts or miter cuts.

- Lower the anti-kickback pawls (see **To Raise and Lower Anti-Kickback Pawls** earlier in this manual).
- Grasp the saw handle firmly. Depress the trigger lockout lever and squeeze the switch trigger.
- Allow several seconds for the blade to reach maximum speed before feeding the workpiece into the blade.
- Slowly push the blade into and through the workpiece.
- When the cut is made, release the switch trigger. Wait for the blade to come to a complete stop before removing the workpiece.

TO MAKE A MITER CUT

See Figure 13, page 19.

Miter cuts are made with the fence set at some angle other than 0°.

- Remove the battery pack.
- Remove the work clamp from its storage area under the saw table.

OPERATION

- Install the work clamp on the fence (see **To Install The Work Clamp** earlier in this manual).
- Place the miter fence in the miter cut position (see **To Install Fence For Making Miter / Cross Cuts** earlier in this manual) and the fence to the desired angle. Tighten the clamp knob securely.
- Lower the slide lock lever and push the saw to the rear of the saw table.
- Place the workpiece flat on the saw table with one edge securely against the fence.
- Align cutting line on the workpiece with the edge of saw blade. Use the work clamp to secure the workpiece. Do not overtighten.
- Insert battery in the saw.
- Disengage the anti-kickback pawls.
- Make sure the wood is clear of the blade before turning on the saw.

NOTE: Raise the anti-kickback pawls when making cross cuts or miter cuts.

- Lower the anti-kickback pawls (see **To Raise and Lower Anti-Kickback Pawls** earlier in this manual).
- Grasp the saw handle firmly. Depress the trigger lockout lever and squeeze the switch trigger.
- Allow several seconds for the blade to reach maximum speed.
- Slowly push the blade into and through the workpiece.
- When the cut is made, release the switch trigger. Wait for the blade to come to a complete stop before removing the workpiece.

TO MAKE A RIP CUT

See Figures 14 - 15, page 19.

WARNING:

Risk of Laceration. Only use the lock-on feature of the saw when making rip cuts. Using this feature in any other cutting mode may result in serious personal injury.

Rip cuts are made with the saw locked in place. If the fence isn't properly squared to the blade, the cut edges of the workpiece may blacken or scorch.

- Remove the battery pack.
- Remove the fence from its storage area under the saw table.
- Place the fence in the rip cut position (see **To Install Fence For Making Rip Cuts** earlier in this manual) the desired distance from the blade for the cut. Tighten the clamp knob securely.
- Lower the slide lock lever and push or pull the saw on the sliding rail until the lock pin and one of the two holes in the rail are aligned.
- Lift the slide lock lever to lock the saw to the rail.

- Make sure that the fence is parallel to the blade by making a measurement from the fence to the front and rear of the blade to ensure the distances are equal.
- Insert battery in the saw.
- Engage the lock-on feature.
- Make sure the wood is clear of the blade before turning on the saw.
- Turn the saw on by depressing the trigger lockout lever and squeezing the switch trigger.

NOTE: This saw is equipped with a lock-on feature to be used only for continuous rip cutting or for extended periods of time. To engage the lock-on feature, depress the lock-on button and switch trigger. Push in and hold the lock-on button located on the side of the handle, then release the switch trigger. Release the lock-on button and the saw will continue to run. To release the lock-on feature, depress the switch trigger and release.

- Place the workpiece flat on the saw table with one edge securely against the fence.
- Align the cutting line on the workpiece with the indicator.
- Allow several seconds for the blade to reach maximum speed before feeding the workpiece into the blade.
- Using the included push stick, slowly feed the workpiece toward the blade. Stand slightly to the side of the wood as it contacts the blade to reduce the chance of injury should kickback occur.
- When ripping a long workpiece, place a support the same height as the table surface in front of and behind the saw to support the workpiece.
- Once the blade has made contact with the workpiece, use the hand closest to the fence to guide it. Make sure the edge of the workpiece remains in solid contact with both the fence and the surface of the table. Use a push stick and/or push blocks to move the piece through the cut and past the blade.
- When the cut is made, disengage the switch trigger. Wait for the blade to come to a complete stop before removing the workpiece.

TO STORE ACCESSORIES

See Figure 16, page 19.

The saw has a convenient storage area specifically designed for the push stick, rip fence, miter fence and the blade wrenches (under the saw table).

To store the push stick:

- With battery removed, tilt the saw table back.
- Place the large holes in the push stick over the screws.
- Slide the push stick to the left to secure on the screws.

To store the rip fence and miter fence:

- With battery removed, tilt the saw table back.
- With locator pins facing outward, slide both ends of each fence into the rubber slots on the bottom of the saw.

OPERATION

To store the blade wrench:

- With battery removed, tilt the saw table back.
- Push the blade wrenches into the storage slot on the bottom of the saw.

TO MOVE THE SAW

See Figure 17, page 20.

When transporting the saw, always lock the saw to prevent the saw arm from moving on the sliding rails.

- Remove the battery pack.
- Push or pull the saw on the sliding rails until the lock pin and hole in the rail are aligned.
- Lift the slide lock lever to lock the saw in place.
- Lift the saw by the carrying handle to transport.

MAINTENANCE

WARNING:

When servicing, use only identical replacement parts. Use of any other parts may create a hazard or cause product damage.

WARNING:

Always wear eye protection with side shields marked to comply with ANSI Z87.1 during product operation. If operation is dusty, also wear a dust mask.

WARNING:

Before performing any maintenance, make sure the battery pack is removed from the tool. Failure to heed this warning could result in serious personal injury.

GENERAL MAINTENANCE

Avoid using solvents when cleaning plastic parts. Most plastics are susceptible to damage from various types of commercial solvents and may be damaged by their use. Use clean cloths to remove dirt, dust, oil, grease, etc.

WARNING:

Do not at any time let brake fluids, gasoline, petroleum-based products, penetrating oils, etc., come in contact with plastic parts. Chemicals can damage, weaken, or destroy plastic which may result in serious personal injury.

- Periodically check all clamps, nuts, bolts, and screws for tightness and condition. Make sure the throat plate is in good condition and in position.
- Check the blade guard.
- Clean the fence and rails with a gum and pitch remover.
- **Clean plastic parts only with a soft damp cloth. DO NOT** use any aerosol or petroleum solvents.

LUBRICATION

All of the bearings in this tool are lubricated with a sufficient amount of high grade lubricant for the life of the unit under normal operating conditions.

Some areas will require lubrications. You will need to apply:

- Light oil or a pressurized light spray oil to the sliding rails.

TO REPLACE THE BLADE

See Figures 18 - 19, pages 20.

WARNING:

A 5-1/2 in. blade is the maximum blade capacity of the Larger blades will come in contact with the blade guard, while thicker blades may not allow the riving knife to effectively reduce the risk of kickback. Either of these situations could result in a serious accident and can cause serious personal injury.

- Remove the battery pack.
- Loosen the screws on the blade guard door.
- Open blade guard door to expose the blade bolt.
- Depress the spindle lock button and rotate the blade bolt until the spindle locks.
- Using the blade wrench provided, loosen and remove the blade bolt.
NOTE: The blade bolt has left hand threads. Turn blade bolt clockwise to loosen.
- Remove the outer blade washer. **Do not** remove the inner blade washer.

WARNING:

If the inner blade washer has been removed, replace it before placing blade on saw. Failure to do so could cause an accident since blade will not tighten properly.

- Fit saw blade inside blade guard and onto spindle. The blade teeth point upward as shown.
NOTE: Kerf must be a minimum of 3/32 in.

MAINTENANCE

- Replace the outer blade washer. Double “D” flats on blade washers align with flats on spindle.
- Depress spindle lock button and replace blade bolt.

CAUTION:

Always install the blade with the blade teeth and the arrow printed on the side of the blade pointing up at the front of the saw.

- Tighten blade bolt securely.
NOTE: The blade bolt has left hand threads. Turn blade bolt counterclockwise to tighten.
- Close blade bolt door and tighten the screws securely.

TO REMOVE / REPLACE THE THROAT PLATE

See Figure 20, page 20.

WARNING:

The throat plate must be below the saw table. If the throat plate is too high or too low, the workpiece can catch on the uneven edges resulting in binding which could result in serious personal injury.

Never operate the saw without a throat plate installed.

To remove / replace:

- Remove the battery pack.
- Remove the screws securing the throat plate.
- Lift the throat plate from the saw. Repeat the above steps for the left side of the throat plate.
- To reinstall the throat plate, align the holes in the throat plate with the holes in the saw base.
- Retighten the screws, being careful not to overtighten which can cause the throat plate to bow or bend.

TO ADJUST LOWER ROLLER

See Figure 21, page 21.

- Loosen both nuts on lower roller.
- Move the bolt that secures the roller. in or out to adjust the saw until it is square to the saw table.

TO ADJUST THE SLIDE RAIL

See Figure 22, page 21.

The slide rail should travel the entire length of the saw assembly and be perpendicular to the fences.

- Use the two oval slots on the underside of the rail mounts located under the saw to adjust the slide rail so that it is square to the fences.
- Use a framing square to align the blade to the miter/cross cut fence at a 90° angle.

ACCESSORIES

The following recommended accessories are currently available at retail stores:

Saw Blade 089230100053

WARNING:

Current attachments and accessories available for use with this tool are listed above. Do not use any attachments or accessories not recommended by the manufacturer of this tool. The use of attachments or accessories not recommended can result in serious personal injury.

**NOTE: ILLUSTRATIONS BEGIN ON PAGE 19
AFTER FRENCH AND SPANISH LANGUAGE SECTIONS.**

RÈGLES DE SÉCURITÉ GÉNÉRALES



AVERTISSEMENT :

Lire les avertissements de sécurité, les instructions et les précisions et consulter les illustrations fournis avec cet outil électrique. Le fait de ne pas se conformer à l'ensemble des consignes présentées ci-dessous risque d'entraîner des décharges électriques, un incendie et/ou des blessures graves.

Conserver les avertissements et les instructions à des fins de référence ultérieure. Le terme « outil motorisé », utilisé dans tous les avertissements ci-dessous désigne tout outil fonctionnant sur secteur (câblé) ou sur piles (sans fil).

SÉCURITÉ DU LIEU DE TRAVAIL

- **Garder le lieu de travail propre et bien éclairé.** Les endroits encombrés ou sombres sont propices aux accidents.
- **Ne pas utiliser d'outils électriques dans des atmosphères explosives, par exemple en présence de liquides, gaz ou poussières inflammables.** Les outils électriques produisent des étincelles risquant d'enflammer les poussières ou vapeurs.
- **Garder les enfants et badauds à l'écart pendant l'utilisation d'un outil électrique.** Les distractions peuvent causer une perte de contrôle.

SÉCURITÉ ÉLECTRIQUE

- **Les fiches des outils électriques doivent correspondre à la prise secteur utilisée. Ne jamais modifier la fiche, de quelque façon que ce soit. Ne jamais utiliser d'adaptateurs de fiche avec des outils mis à la terre.** Les fiches et prises non modifiées réduisent le risque de choc électrique.
- **Éviter tout contact du corps avec des surfaces mises à la terre, telles que tuyaux, radiateurs, cuisinières et réfrigérateurs.** Le risque de choc électrique est accru lorsque le corps est mis à la terre.
- **Ne pas exposer les outils électriques à l'eau ou l'humidité.** La pénétration d'eau dans ces outils accroît le risque de choc électrique.
- **Ne pas maltraiter le cordon d'alimentation. Ne jamais utiliser le cordon d'alimentation pour transporter l'outil et ne jamais débrancher ce dernier en tirant sur le cordon. Garder le cordon à l'écart de la chaleur, de l'huile, des objets tranchants et des pièces en mouvement.** Un cordon endommagé ou emmêlé accroît le risque de choc électrique.
- **Pour les travaux à l'extérieur, utiliser un cordon spécialement conçu à cet effet.** Utiliser un cordon conçu pour l'usage extérieur pour réduire les risques de choc électrique.
- **S'il est nécessaire d'utiliser l'outil électrique dans un endroit humide, employer un dispositif interrupteur de défaut à la terre (GFCI).** L'utilisation d'un GFCI réduit le risque de décharge électrique.

SÉCURITÉ PERSONNELLE

- **Rester attentif, prêter attention au travail et faire preuve de bon sens lors de l'utilisation de tout outil électrique. Ne pas utiliser cet outil en état de fatigue ou sous l'influence de l'alcool, de drogues ou de médicaments.**

Un moment d'inattention pendant l'utilisation d'un outil électrique peut entraîner des blessures graves.

- **Utiliser l'équipement de sécurité. Toujours porter une protection oculaire.** L'équipement de sécurité, tel qu'un masque filtrant, de chaussures de sécurité, d'un casque ou d'une protection auditive, utilisé dans des conditions appropriées réduira le risque de blessures.
- **Éviter les démarrages accidentels. S'assurer que le commutateur est en position d'arrêt avant de brancher l'outil et/ou bloc-piles.** Porter un outil avec le doigt sur son commutateur ou brancher un outil dont le commutateur est en position de marche peut causer un accident.
- **Retirer les clés de réglage avant de mettre l'outil en marche.** Une clé laissée sur une pièce rotative de l'outil peut causer des blessures.
- **Ne pas travailler hors de portée. Toujours se tenir bien campé et en équilibre.** Ceci permettra de mieux contrôler l'outil en cas de situation imprévue.
- **Porter une tenue appropriée. Ne porter ni vêtements amples, ni bijoux. Garder les cheveux, les vêtements et les gants à l'écart des pièces en mouvement.** Les vêtements amples, bijoux et cheveux longs peuvent se prendre dans les pièces en mouvement.
- **Si les outils sont équipés de dispositifs de dépoussiérage, s'assurer qu'ils sont connectés et correctement utilisés.** L'usage de ces dispositifs de dépoussiérage peut réduire les dangers présentés par la poussière.
- **Malgré votre expérience acquise par l'utilisation fréquente des outils, soyez toujours vigilant et respectez les principes de sécurité relatifs aux outils.** Il s'agit d'une fraction de seconde pour qu'un geste irréfléchi puisse causer de graves blessures.

UTILISATION ET ENTRETIEN DES OUTILS ÉLECTRIQUES

- **Ne pas forcer l'outil. Utiliser l'outil approprié pour l'application.** Un outil approprié exécutera le travail mieux et de façon moins dangereuse s'il est utilisé dans les limites prévues.
- **Ne pas utiliser l'outil si le commutateur ne permet pas de le mettre en marche ou de l'arrêter.** Tout outil qui ne peut pas être contrôlé par son commutateur est dangereux et doit être réparé.
- **Avant de procéder à un réglage, à un changement d'accessoire ou au rangement de l'outil, débranchez la prise de la source d'alimentation ou, si le bloc-piles est amovible, retirez-le de l'outil.** Ces mesures de sécurité préventives réduisent les risques de démarrage accidentel de l'outil.
- **Ranger les outils motorisés hors de la portée des enfants et ne laisser personne n'étant pas familiarisé avec l'outil ou ces instructions utiliser l'outil.** Dans les mains de personnes n'ayant pas reçu des instructions adéquates, les outils sont dangereux.
- **Entretien les outils motorisés et accessoires. Vérifier qu'aucune pièce mobile n'est mal alignée ou bloquée, qu'aucune pièce n'est brisée et s'assurer qu'aucun autre problème ne risque d'affecter le bon fonctionnement de l'outil. En cas de dommages faire réparer l'outil avant de l'utiliser de nouveau.** Beaucoup d'accidents sont causés par des outils mal entretenus.

RÈGLES DE SÉCURITÉ GÉNÉRALES

- **Garder les outils bien affûtés et propres.** Des outils correctement entretenus et dont les tranchants sont bien affûtés risquent moins de se bloquer et sont plus faciles à contrôler.
- **Utiliser l'outil, les accessoires et embouts, etc. conformément à ces instructions pour les applications pour lesquelles ils sont conçus, en tenant compte des conditions et du type de travail à exécuter.** L'usage d'un outil motorisé pour des applications pour lesquelles il n'est pas conçu peut être dangereux.
- **Gardez les poignées et les surfaces de prise sèches, propres et exemptes d'huile et de graisse.** Des poignées et des surfaces de prise glissantes empêchent la manipulation et le contrôle sécuritaires de l'outil dans des circonstances imprévues.

UTILISATION ET ENTRETIEN DE LA PILE

- **Ne recharger qu'avec l'appareil spécifié par le fabricant.** Un chargeur approprié pour un type de pile peut créer un risque d'incendie s'il est utilisé avec un autre type de pile.
- **Ne recharger les piles qu'avec l'appareil indiqué.** Pour utiliser l'appareil avec des piles au lithium-ion de 18 V, consulter le supplément de raccordement pour chargeur/outils/piles/appareil n° 988000-302.
- **Utiliser exclusivement le bloc-pile spécifiquement indiqué pour l'outil.** L'usage de tout autre bloc peut créer un risque de blessures et d'incendie.
- **Lorsque le bloc-piles n'est pas en usage, le garder à l'écart d'articles tels qu'attaches trombones, pièces de monnaie, clous, vis ou autres petits objets métalliques risquant d'établir le contact entre les deux bornes.** La mise en court-circuit des bornes de piles peut causer des étincelles, des brûlures ou un incendie.
- **En cas d'usage abusif, du liquide peut s'échapper des piles. Éviter tout contact avec ce liquide. En cas de contact accidentel, rincer immédiatement les parties atteintes avec de l'eau. En cas d'éclaboussure dans les yeux consulter un médecin.** Le liquide s'échappant des piles peut causer des irritations ou des brûlures.
- **Ne pas utiliser un bloc-piles ou un outil endommagé ou modifié.** Les piles endommagées ou modifiées peuvent produire un comportement imprévisible pouvant provoquer un incendie, une explosion ou des blessures.
- **Ne pas exposer le bloc-piles ou l'outil près d'un incendie ou à une température extrême.** L'exposition à un incendie ou à une température supérieure à 130 °C (265 °F) représente un risque d'explosion.
- **Suivre toutes les instructions afférentes à la recharge et ne pas recharger le bloc-piles ou l'outil hors des**

températures spécifiées dans les instructions. Une recharge incorrecte ou hors des températures spécifiées peut endommager la pile et augmenter les risques de feu.

- **Les outils fonctionnant sur piles n'ayant pas besoin d'être branchés sur une prise secteur, ils sont toujours en état de fonctionnement. Tenir compte des dangers possibles lorsque l'outil n'est pas en usage et lors du remplacement des piles.** Le respect de cette consigne réduira les risques d'incendie, de choc électrique et de blessures graves.
- **Ne pas placer les outils électriques sans fil ou leurs piles à proximité de flammes ou d'une source de chaleur.** Ceci réduira les risques d'explosion et de blessures.
- **Ne pas écraser, faire tomber ou endommager le bloc-piles. Ne jamais utiliser un bloc-piles ou un chargeur qui est tombé, a été écrasé, a reçu un choc violent ou a été endommagé de quelque façon que ce soit.** Une pile endommagée risque d'exploser. Éliminer immédiatement toute pile endommagée, selon une méthode appropriée.
- **Les piles peuvent exploser en présence d'une source d'allumage, telle qu'une veilleuse.** Pour réduire les risques de blessures graves, ne jamais utiliser un appareil sans fil, quel qu'il soit, en présence d'une flamme vive. En explosant, une pile peut projeter des débris et des produits chimiques. En cas d'exposition, rincer immédiatement les parties atteintes avec de l'eau.
- **Ne pas recharger un outil fonctionnant sur piles dans un endroit humide ou mouillé. Ne pas utiliser, remiser ou charger le bloc-piles ou produits dans des emplacements où la température est inférieure 10 °C (50 °F) à ou supérieure à 38 °C (100 °F).** Ne pas ranger l'outil à l'extérieur ou dans un véhicule.
- **Si l'outil est utilisé de façon intensive ou sous des températures extrêmes, des fuites de pile peuvent se produire. En cas de contact du liquide avec la peau, rincer immédiatement la partie atteinte avec de l'eau. En cas d'éclaboussure dans les yeux, les rincer à l'eau fraîche pendant au moins 10 minutes, puis contacter immédiatement un médecin.** Le respect de cette règle réduira les risques de blessures graves.

DÉPANNAGE

- **Les réparations doivent être confiées à un technicien qualifié, utilisant exclusivement des pièces identiques à celles d'origine.** Ceci assurera le maintien de la sécurité de l'outil.
- **Ne réparez jamais de blocs-piles endommagés.** Seuls le fabricant et les fournisseurs de service autorisés doivent effectuer la réparation ou l'entretien des blocs-piles.

RÈGLES DE SÉCURITÉ PARTICULIÈRES

- **Les scies à planchers sont conçues pour couper le bois ou les produits comme le bois, elles ne peuvent pas être utilisées avec des meules à découper abrasives pour couper des matériaux ferreux tels que des barres, des tiges, des goujons, etc.** Les poussières abrasives entraînent le blocage des pièces mobiles comme le dispositif de protection inférieur. Les étincelles provenant d'une

coupe abrasive brûleront le dispositif de protection inférieur, l'intérieur du trait de scie et d'autres pièces en plastique.

- **Ne pas utiliser la scie jusqu'à ce que la table soit libre de tous les outils, déchets de bois, etc., à l'exception de la pièce à travailler.** Les petits débris, les morceaux de bois

RÈGLES DE SÉCURITÉ PARTICULIÈRES

détachés ou les autres objets qui sont en contact avec la lame en rotation peuvent être projetés à haute vitesse.

- **Couper une seule pièce à travailler à la fois.** Les pièces à travailler empilées ne peuvent pas être suffisamment fixées au moyen d'une pince ou serrées et peuvent causer un pincement avec la lame ou bouger durant la coupe.
- **S'assurer que la scie à plancher est montée ou placée à niveau sur une surface de travail ferme avant de l'utiliser.** Une surface de travail ferme et à niveau réduit le risque que la scie à plancher devienne instable.
- **Utiliser la scie sur le sol ou une table sécuritaire pour assurer un appui adéquat.**
- **Ne pas utiliser une autre personne pour remplacer une rallonge de table ou comme appui supplémentaire.** Un appui instable de la pièce à travailler peut bloquer la lame ou bouger la pièce à travailler pendant l'opération de coupe, tirant vous et la personne aidant vers la lame tournante.
- **Laisser la lame atteindre sa pleine vitesse avant de la faire entrer en contact avec la pièce à travailler.** Cela permettra de réduire le risque que la pièce à travailler soit projetée.
- **Si la pièce à travailler ou la lame se bloque, arrêter la scie à plancher. Attendre que toutes les pièces mobiles soient arrêtées et débrancher la fiche de la source d'alimentation et/ou retirez le bloc-piles. Libérer ensuite les matériaux coincés.** Continuer à scier avec une pièce à travailler coincée pourrait entraîner une perte de contrôle ou endommager la scie à plancher.
- **Conserver ces instructions.** Les consulter fréquemment et les utiliser pour instruire les autres utilisateurs. Si cet outil est prêté, il doit être accompagné de ces instructions.

POUR LES COUPES LONGITUDINALES

- **Ne jamais mettre votre main au travers de la ligne de coupe prévue, que ce soit à l'avant ou à l'arrière de la lame de scie.** Tenir la pièce à travailler à «main croisée» c.-à-d. en maintenant la pièce à travailler à droite de la lame de scie avec votre main gauche ou vice versa est très dangereux.
- **Ne pas essayer d'atteindre l'arrière du guide avec l'une ou l'autre de vos mains à moins de 100 mm (4 po) de chaque côté de la lame de scie, que ce soit pour enlever les déchets de bois, ou pour toute autre raison que ce soit pendant que la lame est en rotation.** La proximité de votre main avec la lame de scie en rotation peut ne pas être évidente à déterminer et vous pourriez être gravement blessé.
- **Après avoir terminé la coupe, relâcher le commutateur et attendez que la lame s'arrête avant de retirer la pièce coupée.** Approcher votre main près d'une lame qui n'est pas complètement arrêtée est dangereux.
- **Vérifier que la scie à plancher est verrouillée pendant la coupe longitudinale et que les guides sont verrouillés en place avant la coupe.**

POUR LES COUPES TRANSVERSALES

- **Utiliser des pinces pour maintenir en place la pièce à travailler chaque fois que possible. Si vous supportez à la main la pièce à travailler, vous devez toujours garder vos mains à au moins 100 mm (4 po) de chaque côté de la lame de la scie. Ne pas utiliser cette scie pour couper des morceaux qui sont trop petits pour être correctement fixés ou tenus à la main.** Si votre main est placée trop près de la lame de scie, il y a un risque accru de blessures causées par le contact avec la lame.
- **Planifier votre travail. Chaque fois que vous modifiez le réglage d'angle de biseau ou d'onglet, s'assurer que le guide réglable est correctement ajusté pour soutenir la pièce à travailler et qu'il n'interférera pas avec la lame ou le système de protection.** Sans mettre l'outil en «MARCHÉ» et sans pièce à travailler sur la table, déplacer la lame de scie à travers une coupe complètement simulée pour garantir qu'il n'y aura pas d'interférence ni de danger de couper le guide.
- **La pièce coupée ne doit pas être coincée ou appuyée d'une quelconque façon contre la lame de scie en rotation.** Si elle est confinée, c.-à-d. à l'aide de butées réglables, la pièce coupée pourrait se coincer contre la lame et être projetée violemment.
- **La pièce à travailler doit être immobile et fixée ou tenue à la fois contre le guide et la table. Ne pas avancer la pièce à travailler dans la lame et en aucun cas vous ne devez couper «à main levée».** Les pièces à travailler qui ne sont pas retenues ou qui sont en mouvement peuvent être projetées à grande vitesse, provoquant des blessures.
- **Inspecter votre pièce à travailler avant de la couper. Si la pièce à travailler est arquée ou déformée, la fixer au moyen d'une pince en plaçant l'extérieur arqué face au guide. S'assurer toujours qu'il n'y a aucun écart entre la pièce à travailler, le guide et la table le long de la ligne de coupe.** Les pièces à travailler arquées ou déformées peuvent se tordre ou bouger et peuvent causer un pincement de la lame de scie en rotation pendant la coupe. Il ne devrait pas y avoir de clous ou d'objets étrangers dans la pièce à travailler.
- **Utiliser toujours une pince ou un dispositif de fixation conçu pour soutenir correctement des matériaux ronds tels que des tiges ou des tubes.** Les tiges ont tendance à rouler lorsqu'elles sont coupées, causant une morsure et tirant le travail avec votre main dans la lame.
- **Pousser la scie à travers la pièce à travailler. Ne pas tirer la scie à travers la pièce à travailler. Pour réaliser une coupe, démarrer la scie et pousser la scie dans la pièce à travailler.** Couper en tirant la scie est susceptible de faire monter la lame de scie au-dessus de la pièce à travailler et de projeter violemment l'assemblage de la lame vers l'opérateur.

RÈGLES DE SÉCURITÉ SUPPLÉMENTAIRES

- **Veiller à bien connaître l'outil.** Lire attentivement le manuel d'utilisation. Apprendre les applications et les limites de l'outil, ainsi que les risques spécifiques relatifs à son utilisation.
- **Toujours porter une protection oculaire avec écrans latéraux certifiée conforme à la norme ANSI Z87.1 lors de l'utilisation de produit.** Si cette précaution n'est pas prise, des objets peuvent être projetés dans les yeux et causer des lésions graves.
- **Ne jamais monter sur l'outil.** Un basculement pourrait entraîner des blessures graves ou si l'on touche involontairement la partie tranchante.
- **Ne jamais toucher la lame** ou les pièces en mouvement pendant le fonctionnement.
- **Vérifier deux fois tous les réglages.** S'assurer que la lame est serrée et ne touche pas la scie ou la pièce à travailler avant de connecter à la source d'alimentation.
- **En cas d'utilisation de la scie sur un établi ou une table, fixer fermement votre outil à la surface de travail avec une bride de serrage ou des boulons à environ la hauteur des hanches.**
- **Vérifier que la scie à plancher est verrouillée pendant la coupe longitudinale et que les guides sont verrouillés en place avant la coupe.**
- **Ne jamais se déplacer l'ajustement de pièce ou marque à n'importe quel angle de coupe pendant que la scie court et la lame tourne.** N'importe quelle erreur peut avoir pour résultat le contact avec la lame causant des blessures graves.
- **Éviter les opérations et positions inconfortables** posant un risque de glissement soudain de la main vers la lame. **TOUJOURS** se tenir bien en équilibre.
- **Ne jamais faire passer le commutateur de la position marche à la position arrêt rapidement.** Ceci pourrait causer le desserrage de la lame, créant une situation dangereuse. Si cela se produit, s'éloigner de la scie et attendre l'arrêt complet de la lame. Débrancher la scie de la prise secteur et resserrer le boulon de lame.
- **Si une pièce quelconque de la scie manque,** est brisée, déformée ou présente quelque défaut que ce soit, ou si un composant électrique quel qu'il soit ne fonctionne pas correctement, éteindre la scie, retirer le pile et faire réparer ou remplacer la pièce manquante, endommagée ou défectueuse avant de remettre la scie en service.
- **Toujours éteindre la scie** avant retirer le pile pour éviter un démarrage accidentel lors du branchement pour l'utilisation suivante. **NE JAMAIS** laisser la scie sans surveillance avec pile installé.
- Les avertissements ci-dessous doivent être apposés sur **cet outil** :
 - Pour réduire les risques de blessures, l'utilisateur doit lire le manuel d'utilisation.
 - Porter une protection oculaire.
 - Garder les mains et le corps hors du passage de la lame. Le contact avec la lame peut causer des blessures graves.
 - Vérifier le fonctionnement de la tête de coupe.
 - Ne jamais travailler à main levée.
 - Ne jamais allonger le bras à proximité de la lame.
 - Couper l'alimentation de l'outil et attendez que la lame de scie soit arrêtée avant de déplacer la pièce à travailler ou de modifier les réglages.
 - Retirer le pile avant de changer la lame ou d'effectuer un entretien.
- **Toujours transporter l'outil par la poignée prévue à cet effet.**
- **Toujours s'assurer que l'a vu que la lame a le dégagement de toutes obstructions avant de tourner l'a vu sur.**
- **Utiliser une lame différente pour chaque type de matériau à couper, comme les planchers en LVT et en bois.**

AVERTISSEMENTS LIÉS AUX PROTECTEURS

- **Laisser les protecteurs en place.** Les protecteurs doivent être en bon état de marche et être bien installés. Un protecteur lâche, endommagé ou qui ne fonctionne pas correctement doit être réparé ou remplacé.
- **Toujours utiliser le protège-lame, le couteau diviseur et les cliquets antirebond pour chaque coupe complète.**
- **S'assurer que la lame ne touche pas au protège-lame, au couteau diviseur ou à la pièce à travailler avant d'allumer l'interrupteur.** Un contact accidentel de ces éléments avec la lame pourrait causer des conditions dangereuses.
- **Ajuster le couteau diviseur conformément aux instructions du manuel.** Un mauvais espacement, positionnement ou alignement peut rendre le couteau diviseur inefficace en réduisant la probabilité d'un rebond.
- **Pour que le couteau diviseur et les dispositifs antirebond fonctionnent, ils doivent être pris dans la pièce à travailler.** Le couteau diviseur et les dispositifs antirebond sont inefficaces lorsqu'on coupe des pièces à travailler trop petites pour être prises avec le couteau diviseur et les dispositifs antirebond. Sous ces conditions, un rebond ne peut être empêché par couteau diviseur et les dispositifs antirebond.
- **Utiliser la bonne lame pour le couteau diviseur.** Pour que le couteau diviseur fonctionne correctement, le diamètre de la lame doit correspondre au bon couteau, le corps de la lame doit être plus étroit que l'épaisseur du couteau et l'épaisseur de la coupe de la lame doit être plus large que l'épaisseur du couteau.

RÈGLES DE SÉCURITÉ SUPPLÉMENTAIRES

AVERTISSEMENTS DES PROCÉDURES DE COUPE

- **DANGER : Ne jamais placer les doigts ou les mains à proximité de la lame ou dans la ligne de coupe.** Un moment d'inattention ou un glissement peut diriger votre main vers la lame, ce qui peut provoquer des blessures graves.
- **Pousser la pièce à travailler vers la lame dans le sens inverse de la rotation.** Pousser la pièce à travailler dans la même direction que la rotation de la lame au-dessus de la table peut tirer la pièce, et votre main, vers la lame.
- **Lors de la refente, toujours appliquer la force pour pousser la pièce à travailler entre le guide et la lame. Utiliser un poussoir lorsque la distance entre le guide et la lame est inférieure à 150 mm (6 po), et utiliser un bloc poussoir lorsque la distance est inférieure à 50 mm (2 po).** Les dispositifs d'aide au travail garderont vos mains à une distance sécuritaire de la lame.
- **Utiliser seulement le poussoir fourni par le fabricant ou construit conformément aux instructions.** Ce poussoir offre une distance suffisante entre la main et la lame.
- **Ne jamais utiliser un poussoir endommagé ou coupé.** Un poussoir endommagé peut briser et faire glisser votre main sur la lame.
- **Ne pas faire de coupe « à main levée ». Toujours utiliser le guide longitudinal ou le guide d'onglet pour placer et guider la pièce à travailler.** « À main levée » signifie l'utilisation des mains pour soutenir ou guider la pièce à travailler au lieu d'un guide longitudinal ou d'onglet. La coupe « à main levée » provoque un mauvais alignement, du grippage et un rebond.
- **Ne jamais tenter de passer autour ou par-dessus une lame qui tourne.** Tenter d'atteindre la pièce à travailler ainsi peut provoquer un contact accidentel avec la lame en mouvement.
- **Assurer un soutien auxiliaire pour la pièce à travailler à l'arrière ou sur les côtés de la scie à plancher pour les morceaux longs ou larges pour qu'ils restent de niveau.** Les pièces à travailler longues ou larges ont tendance à pivoter sur le bord de la table, provoquant une perte de contrôle, ou un grippage ou un rebond de la lame.
- **Pousser la pièce à travailler à une vitesse égale. Ne pas plier ou tourner la pièce à travailler. Si un blocage survient, éteindre immédiatement l'outil, le débrancher et dégager le blocage.** Un blocage de la lame en raison du morceau peut provoquer un rebond ou faire caler le moteur.
- **Ne pas retirer les morceaux de matériau coupé pendant que la lame tourne.** Le matériau peut rester coincé entre le guide ou l'intérieur du protège-lame et la lame, tirant vos doigts vers la lame. Éteindre la scie et attendre que la lame cesse de bouger avant de retirer le matériau.

- **Utiliser un guide auxiliaire en contact avec le dessus de la table lors de la refente de pièces à travailler de moins de 2 mm (1/16 po) d'épaisseur.** Une pièce à travailler mince peut se coincer sous le guide longitudinal et créer un rebond.

CAUSES DES EFFETS DE REBOND ET AUTRES AVERTISSEMENTS

Le rebond est une réaction soudaine de la pièce à travailler en raison d'une lame coincée, pincée ou d'une ligne de coupe mal alignée avec la lame, ou lorsqu'une partie de la pièce à travailler grippe entre la lame et le guide longitudinal ou un autre objet fixe.

Plus fréquemment durant un rebond, la pièce à travailler est soulevée de la table par la portion arrière de la lame et projetée vers l'utilisateur.

Le rebond est le résultat d'une mauvaise utilisation ou de procédures d'utilisation ou de conditions incorrectes, et peut être évité en prenant les précautions nécessaires énumérées ci-dessous.

- **Si la scie est utilisée sur une table ou un établi, se tenir à 45 degrés de la scie. Toujours placer le corps du même côté de la lame que le guide.** Un rebond peut propulser la pièce à travailler à grande vitesse vers quiconque se tient devant et aligné avec la lame.
- **Ne jamais tenter de passer par-dessus ou vers l'arrière de la lame pour tirer ou soutenir la pièce à travailler.** Un contact accidentel avec la lame peut se produire ou un rebond peut attirer vos doigts sur la lame.
- **Ne jamais tenir la pièce à travailler et appuyer dessus contre la lame en mouvement.** Appuyer la pièce à travailler contre la lame crée un grippage et un rebond.
- **Aligner le guide afin qu'il soit parallèle avec la lame.** Un guide mal aligné peut pincer la pièce à travailler contre la lame et causer un rebond.
- **Utiliser un guide de pression pour guider la pièce à travailler contre la table et le guide lorsqu'on fait des coupes non complètes, par exemple pour les biseaux, les rainures ou les refentes.** Un guide de pression aide à contrôler la pièce à travailler s'il y a un rebond.
- **Soutenir les grands panneaux afin de minimiser le risque de pincage et de rebond.** Les grands panneaux ont tendance à fléchir sous leur propre poids. Placer des soutiens sous toutes les portions du panneau qui dépassent de la table.
- **Faire très attention lorsqu'on coupe une pièce à travailler qui est tordue ou gauchie, qui contient des nœuds ou qui n'a pas un bord droit pour guider avec un guide d'onglet ou longitudinal.** Une pièce à travailler qui est tordue ou gauchie ou qui contient des nœuds est instable et cause un désalignement du trait de coupe, du grippage et des rebonds.

RÈGLES DE SÉCURITÉ SUPPLÉMENTAIRES




- **Ne jamais couper plus d'une pièce à travailler, empilées verticalement ou horizontalement.** La lame pourrait agripper une ou plusieurs pièces et provoquer un rebond.
- **Lorsqu'on redémarre la scie avec la lame dans la pièce à travailler, centrer la lame sur le trait de coupe afin que les dents de la lame ne soient pas prises dans le matériau.** Si la scie grippe, elle peut soulever la pièce à travailler et provoquer un rebond lorsque la lame est redémarrée.
- **Garder les lames propres, affûtées et bien installées. Ne jamais utiliser de lames gauchies ou qui ont des dents craquées ou brisées.** Les lames affûtées et bien installées minimisent le grippage, le calage et le rebond.

AVERTISSEMENTS LIÉS À L'UTILISATION DE LA SCIE À PLANCHER






- **Éteindre la scie à plancher et débrancher le cordon d'alimentation ou retirer la batterie lorsqu'on retire la plaque de lumière, qu'on change la lame ou qu'on fait des ajustements au couteau diviseurs, aux cliquets antirebond ou au protège-lame, et lorsque l'appareil est laissé sans surveillance.** Ces mesures de précaution éviteront des accidents.
- **Ne jamais laisser la scie à plancher en marche sans surveillance. Éteindre l'outil et ne pas le laisser tant que la lame n'est pas complètement arrêtée.** Une scie qui fonctionne sans surveillance est un danger non contrôlé.
- **Placer la scie à plancher dans un endroit bien éclairé et de niveau, où on peut avoir pied et garder un bon équilibre. Elle devrait être installée dans un endroit assez spacieux pour facilement manipuler la taille de la pièce à travailler.** Les endroits restreints et sombres, et même les planchers glissants, appellent les accidents.
- **Nettoyer et retirer la sciure régulièrement de sous la scie à plancher ou du dépoussiéreur.** La sciure est un combustible et peut s'enflammer.
- **Retirer les outils, les bouts de bois, etc. de la table avant d'allumer la scie.** Une distraction ou un blocage potentiel peuvent être dangereux.
- **Toujours utiliser les lames avec les bonnes taille et forme (en diamant vs ronde) des trous de l'arbre.** Les lames qui ne correspondent pas aux éléments de fixation de la scie tourneront de manière déportée, provoquant une perte de contrôle. La scie a une capacité de lame maximale de 140 mm.
- **Ne jamais utiliser un élément de fixation, soit un collet, une rondelle de lame, un écrou ou un boulon, endommagé ou incorrect.** Ces éléments sont conçus particulièrement pour la scie, pour un fonctionnement sécuritaire et un rendement optimal.
- **S'assurer que la lame est installée pour tourner dans la bonne direction. Ne pas utiliser de meules, de brosse métallique ou de roue de ponçage sur une scie à plancher.** Une lame mal installée ou l'utilisation d'accessoires non recommandés peut causer des blessures graves.

SYMBOLES

Les termes de mise en garde suivants et leur signification ont pour but d'expliquer le degré de risques associé à l'utilisation de ce produit.

SYMBOLE	SIGNAL	SIGNIFICATION
	DANGER :	Indique une situation dangereuse qui, si elle n'est pas évitée, aura pour conséquences des blessures graves ou mortelles.
	AVERTISSEMENT :	Indique une situation dangereuse qui, si elle n'est pas évitée, pourrait entraîner des blessures graves ou mortelles.
	ATTENTION :	Indique une situation dangereuse qui, si elle n'est pas évitée, pourrait entraîner des blessures légères ou de gravité modérée.
	AVIS :	(Sans symbole d'alerte de sécurité) Indique les informations jugées importantes sans toutefois représenter un risque de blessure (ex. : messages concernant les dommages matériels).

Certains des symboles ci-dessous peuvent être présents sur l'outil. Veiller à les étudier et à apprendre leur signification. Une interprétation correcte de ces symboles permettra d'utiliser l'outil plus efficacement et de réduire les risques.

SYMBOLE	NOM	DÉSIGNATION / EXPLICATION
	Symbole d'alerte de sécurité	Indique un risque de blessure potentiel.
	Lire le manuel d'utilisation	Pour réduire les risques de blessures, l'utilisateur doit lire et veiller à bien comprendre le manuel d'utilisation avant d'utiliser ce produit.
	Protection oculaire	Toujours porter une protection oculaire avec écrans latéraux certifiée conforme à la norme ANSI Z87.1.
	Symbole Garder les mains à l'écart	Le non respect de cette mise en garde peut entraîner des blessures graves.
	Avertissement concernant l'humidité	Ne pas exposer l'outil à la pluie ni à l'humidité.
V	Volts	Tension
A	Ampères	Intensité
Hz	Hertz	Fréquence (cycles par seconde)
min	Minutes	Heure
—	Courant continu	Type ou caractéristique du courant
n_0	Vitesse à vide	Vitesse de rotation à vide
.../min	Par minute	Tours, coups, vitesse périphérique, orbites, etc., par minute

GLOSSAIRE

Griffes antirebond (scies à plancher, radiales et table)

Dispositifs qui, s'ils sont correctement installés et entretenus, sont conçus pour empêcher que la pièce coupée soit propulsée en direction de l'opérateur durant la refente.

Axe

Pièce sur laquelle une lame ou un outil de coupe est monté.

Coupe en biseau

Coupe effectuée avec la lame sur toute position autre que perpendiculaire (90°) à la table.

Coupe composée

Coupe transversale présentant un angle d'onglet et un angle de biseau.

Coupe transversale

Coupe ou profilage effectué en travers du grain de la pièce ou largeur de la pièce.

Tête de coupe (raboteuses et raboteuses/dégauchisseuses)

Pièce rotative munie de lames réglables. La tête de coupe enlève du matériau de la pièce.

Rainage

Coupe non traversante produisant une encoche ou gorge de forme rectangulaire dans la pièce (exige une lame spéciale).

Cale-guide

Dispositif utilisé pour faciliter le contrôle de la pièce à couper en la guidant contre la table ou le guide lors des coupes longitudinales.

pi/min ou coups/min

Nombre de pieds par minute (ou coups par minute). Terme utilisé en référence au mouvement de la lame.

Main levée

Exécution d'une coupe sans que la pièce soit soutenue par un guide longitudinal, un guide d'onglet ou autre dispositif.

Gomme

Résidu collant formé par la sève du bois.

Talon

Alignement de la lame par rapport au guide.

Trait de scie

Quantité de matériau éliminé par la lame lors de coupes traversantes ou l'entaille produite lors de coupes non traversantes ou partielles.

Rebond

Réaction dangereuse se produisant lorsque la lame est pincée ou bloquée et projetant la pièce en train d'être coupée en direction de l'opérateur.

Coupe d'onglet

Coupe effectuée avec la lame sur toute position autre que perpendiculaire (90°) à la table.

Coupes non traversantes

Toute coupe avec laquelle la lame ne traverse pas complètement la pièce.

Trou pilote (perceuses à colonne)

Petit trou pratiqué dans une pièce servant de guide pour assurer la précision d'un trou de plus grand diamètre.

Blocs poussoirs (pour dégauchisseuses/raboteuses)

Dispositif utilisés pour pousser le matériau contre la tête de coupe lors de toute opération. Ce dispositif aide à tenir la main de l'opérateur bien à l'écart de la lame.

Blocs poussoirs (pour scies à plancher et table)

Dispositifs utilisés pour pousser le matériau contre la scie lors de la coupe. Un bâton poussoir doit être utilisé pour la refente de pièces étroites. Ce dispositif aide à tenir la main de l'opérateur bien à l'écart de la lame.

Bâtons poussoirs (pour scies à plancher et table)

Dispositifs utilisés pour pousser le matériau contre la lame lors de la coupe. Ce dispositif aide à tenir la main de l'opérateur bien à l'écart de la lame.

Refente

Opération de coupe destinée à réduire l'épaisseur d'une pièce pour en produire plusieurs, plus minces.

Résine

Résidu collant formé par la sève du bois durcie.

Tours minute (tr/min)

Nombre de rotations effectuées par un objet en une minute.

Coupe longitudinale ou refente

Opération de coupe dans le sens de la longueur de la pièce.

Couteau diviseur/écarteur (scies à plancher et table)

Pièce de métal légèrement plus mince que le trait de scie, gardant le trait de scie ouvert pour empêcher le rebond.

Trajectoire de la lame de scie

Zone au-dessus, au-dessous, en avant ou en arrière de la lame. En ce qui concerne la pièce, la partie qui sera ou a été coupée par la lame.

Sifflet (raboteuses)

Enfoncement à l'extrémité d'une pièce causé par les lames de la tête de coupe lorsque la pièce n'est pas correctement soutenue.

Coupe traversante

Toute opération de coupe avec laquelle la lame traverse toute l'épaisseur de la pièce.

Ricochet

Le ricochet est habituellement causé par une pièce lâchée contre la lame ou mise en contact avec la lame accidentellement.

Pièce ou matériau

L'article sur lequel le travail est effectué.

Table

Surface sur laquelle la pièce repose lors des opérations de coupe, de perçage, de rabotage ou de ponçage.

CARACTÉRISTIQUES

PRODUCT SPECIFICATIONS

Diamètre de la lame.....	139,7 mm (5-1/2 po)	Capacité de coupe transversale.....	254 mm (10 po) / 381 mm (15 po)
Axe de lame.....	10 mm (3/8 po)	Profondeur de coupe maximale	19 mm (3/4 po)
Capacité de refente.....	203 mm (8 po)	Alimentation.....	18 V c.c.
Capacité de d'onglet.....	254 mm (10 po) at 45° / 381 mm (15 po) at 0°	Vitesse à vide	6000/min (RPM)

POUR SE FAMILIARISER AVEC LA SCIE À PLANCHER

Voir la figure 1, page 16.

L'utilisation sûre de ce produit exige une compréhension des renseignements figurant sur l'outil et contenus dans le manuel d'utilisation, ainsi qu'une bonne connaissance du projet entrepris. Avant d'utiliser ce produit, se familiariser avec toutes ses fonctions et règles de sécurité.

LAME 139,7 mm (5-1/2 po)

Une lame de 139,7 mm (5-1/2 po) est fournie avec la scie. Cette lame permet de couper des pièces de 19 mm (3/4 po) maximum.

AVERTISSEMENT :

Ne pas utiliser de lames dont la vitesse de rotation nominale est inférieure à celle de l'outil. Le non-respect de cet avertissement pourrait entraîner des blessures graves.

GRIFFES ANTIREBOND (POUR UTILISATION AVEC COUPE LONGITUDINAL)

Le rebond pose un danger : la pièce de bois est projetée vers l'utilisateur. Les dents des griffes antirebond sont orientées à l'écart de la pièce. Si la pièce est tirée en direction de l'opérateur, les griffes mordent dans la pièce pour empêcher ou réduire le rebond.

GARDE DE LAME

Toujours laisser la garde abaissée et plus sur la lame pour des coupes tous.

RANGEMENT DE CLÉ DE LAME

La scie est fournie avec une clé de lame. Une extrémité de la clé est un tournevis cruciforme et l'autre est une clé hexagonale. Utiliser l'extrémité à clé hexagonale pour installer et déposer la lame et l'extrémité à tournevis cruciforme pour retirer ou desserrer des vis. La table de la scie comporte un espace de rangement pour la clé de lame.

POIGNÉE DE TRANSPORT

La scie est équipée d'une poignée montée sur le sur le côté de la scie pour faciliter son transport d'un endroit à un autre.

SAC À POUSSIÈRE ET ORIFICE D'ÉCHAPPEMENT DE LA POUSSIÈRE

Un orifice d'échappement de la poussière permet une coupe sans poussière en évacuant la poussière loin de l'utilisateur. Un

sac à poussière est fourni et s'attache à l'orifice d'échappement de la poussière ou l'orifice peut être connecté à un système de collecte de poussière ou un tuyau d'aspiration d'atelier de 57,2 mm.

BOUTON DE VERROUILLAGE DU GUIDE

Avec la goupille de position en place, le bouton de verrouillage du guide verrouille le guide à la table à l'angle de coupe souhaitée.

GUIDE À ONGLETS

Le guide à onglets se fixe à la table à scie et sert aux coupes droites ou en angle. Il est rangé sous la table à scie.

GUIDE LONGITUDINAL

Le guide longitudinal se fixe à la table et sert aux coupes droites. Il est rangé sous la table à scie.

RAINURE DE LONGITUDINAL

Le boulon de fixation se déplace dans le rainure de longitudinal de la table de scie pour assurer la clôture en place lorsque faire des coupes longitudinal.

COUTEAU DIVISEUR

Pièce de métal légèrement plus mince que la lame, gardant le trait de scie ouvert pour empêcher le rebond.

LEVIER DE VERROUILLAGE DU COULISSEMENT

Le levier de verrouillage du coulisement verrouille et déverrouille la fonction de coulisement de l'outil.

BOUTON DE VERROUILLAGE DE BROCHE

Le bouton de verrouillage de broche verrouille la broche en empêchant la lame de tourner. Maintenir le bouton enfoncé pour l'installation, le changement ou la dépose de la lame.

GÂCHETTE

La scie ne démarre pas tant que vous appuyez sur le levier de verrou et appuyer sur la gâchette. Pour empêcher toute utilisation non autorisée de la scie, retirer la pile et verrouiller son commutateur en position d'arrêt. Pour verrouiller le commutateur, installer un cadenas (non inclus) dans le trou de la gâchette et s'assurer que l'interrupteur ne peut pas être enfoncé. Si l'interrupteur peut être enfoncé même si le cadenas est installé, un cadenas équipé d'une anse de diamètre plus grand doit être utilisé. Conserver le cadenas dans un autre endroit.

ASSEMBLAGE

LISTE DES PIÈCES

Voir la figure 2, page 16.

Les articles suivants sont inclus avec le scie :

No. de

Pièce	Description	Qté.
A	Guide onglet/coupe transversale	1
B	Bouton de verrouillage du guide	2
C	Sac à sciure	1
D	Guide à coupe longitudinale.....	1
E	Bâton poussoir	1
F	Work clamp.....	1
G	Clé mixte.....	1
H	Entretoise d'arbre supplémentaire de 5/8 po.....	1
	Manuel d'utilisation (non illustré).....	1

DÉBALLAGE

Ce produit a été expédié complètement assemblé.

- Sortir soigneusement la scie du carton et la poser sur un plan de travail horizontal.

AVERTISSEMENT :

Ne pas utiliser le produit s'il n'est pas complètement assemblé ou si des pièces semblent manquantes ou endommagées. L'utilisation d'un produit dont l'assemblage est incorrect ou incomplet ou comportant des pièces endommagées ou absentes représente un risque de blessures graves.

- Examiner soigneusement l'outil pour s'assurer que rien n'a été brisé ou endommagé en cours de transport.
- Ne pas jeter les matériaux d'emballage avant d'avoir soigneusement examiné ce produit et avoir vérifié qu'il fonctionne correctement.
- La scie est réglée en usine pour effectuer une coupe précise. Après l'avoir assemblée, vérifier sa précision. Si les réglages ont été modifiés en cours d'expédition, prendre pour centre de réparation.
- Si des pièces sont manquantes ou endommagées, appeler le 1-800-525-2579.

AVERTISSEMENT :

Si des pièces manquent ou sont endommagées, ne pas utiliser ce produit avant qu'elles aient été remplacées. Le fait d'utiliser ce produit même s'il contient des pièces endommagées ou s'il lui manque des pièces peut entraîner des blessures graves.

AVERTISSEMENT :

Ne pas essayer de modifier cet outil ou de créer des accessoires non recommandés pour ce produit. De telles altérations ou modifications sont considérées comme un usage abusif et peuvent créer des conditions dangereuses, risquant d'entraîner des blessures graves.

AVERTISSEMENT :

Si la scie est utilisée sur une table ou un établi, se tenir à 45 degrés de la scie. Ne pas laisser les mains approcher la lame à moins de 100 mm (4 po). Ne pas essayer de passer la main au-dessus ou au-delà de la lame. Le non-respect de cette mise en garde peut entraîner des blessures graves.

AVERTISSEMENT :

La scie est fournie avec deux guides installés sur la table à scie. Toutefois, lors de l'utilisation de la scie, un seul guide peut être utilisé à la fois. Ne pas utiliser les deux guides à la fois.

TROUS DE FIXATION

Voir la figure 3, page 17.

La scie peut être installée sur une surface d'appui ferme, comme un établi ou des planches de montage, au besoin. La base de la scie présente quatre trous de montage pour ce but. Tracer les trous de montage sur la surface de montage, comme il est illustré. Fixer avec boulons et rondelles (non inclus). Les boulons doivent être assez longs pour traverser la base de la scie, les rondelles, et l'établi or planche de montage. Serrer les boulons fermement.

Une fois la scie installée, vérifier soigneusement l'établi pour s'assurer qu'aucun mouvement ne peut se produire pendant l'utilisation. Si l'établi bascule, glisse ou se déplace, l'assujettir sur le sol avant d'utiliser la scie.

POUR INSTALLER DU BRIDE DE SERRAGE DE PIÈCE

Voir la figure 4, page 17.

AVERTISSEMENT :

Dans certaines conditions, la bride de serrage de pièce peut perturber le fonctionnement de la protection de lame. Toujours s'assurer du libre fonctionnement de la protection de lame avant de commencer la coupe, afin de réduire le risque de blessure grave.

La bride de serrage de pièce permet un contrôle accru en bridant la pièce sur le guide ou la table de la scie. Elle évite aussi le déplacement de la pièce vers la lame. C'est très utile lors de la coupe d'onglets composés. Selon l'opération de coupe et les dimensions de la pièce, il peut être nécessaire d'utiliser un serre-joint ou autre pince adaptée au lieu de la bride de serrage de pièce pour bloquer la pièce avant d'effectuer la coupe.

Pour installer de la bride de serrage de pièce :

- Retirer le bloc de batteries.
- Aligner la tige de la bride de serrage sur le trou correspondant situé au bout de la table à scie. La bride de serrage s'installe dans une seule position.
- Tourner le bouton de bride de serrage de pièce pour le déplacer vers le haut ou le bas afin de maintenir fermement la pièce à couper en place.

Pour utiliser de la bride de serrage de pièce :

- Avec la guide monté sur la scie (voir les instructions ci-dessous), placer la pièce fermement contre le guide.
- Tournez le bouton de l'étai pour l'avancer ou le reculer selon le besoin. Ne serrez pas trop.
- Utiliser le bouton de réglage pour ajuster la longueur ou la rotation de la bride de serrage.

POUR INSTALLER DU GUIDE POUR FAIRE COUPES D'ONGLET / TRAVERSALE

Voir les figures 5 - 6, page 17.

- Retirer le bloc de batteries.
- Retirer le bouton de verrouillage du guide hors de rail coulissant.
- Installer le guide.
- Placer le bouton de verrouillage du guide dans la rainure de l'onglet, puis la goupille de position (sous le centre du guide) dans le trou d'ancrage.
- Glisser le serrage-guide long de la rainure du onglet jusqu'à l'angle désiré.
- Insérer la bride de serrage dans le trou du guide à onglets et dans le trou de la table. Ne pas serrer le bouton de la bride de serrage.
- Serrer le bouton de verrouillage du guide pour sécuriser le guide à onglets
- Bien serrer le bouton de la bride de serrage à la pièce à travailler.

POUR INSTALLER DU GUIDE POUR FAIRE COUPES LONGITUDINAL

Voir la figure 7, page 18.

- Retirer le bloc de batteries.
- Retirer le bouton de verrouillage du guide et la rondelle hors du rail coulissant.
- Avec le guide parallèle à table de la scie, placez la goupille de positionnement dans la rainure de droite de la table de la scie et le côté gauche de la guide dans la rainure gauche de la table de la scie.
- Glisser le serre-guide long de la rainure longitudinal jusqu'à la distance désirée pour la coupe.
- Placer le bouton de verrouillage du guide dans le trou correspondant de la table à scie.
- Utiliser des échelles sur la table de la scie, vérifier que les côtés gauche et droit de la guide sont à la même distance de la lame de sorte que la guide est au aligne de la lame.
- Serrer le bouton de verrouillage du guide et la rondelle pour sécuriser le guide à onglets.
- Bien serrer le bouton de la bride de serrage à la pièce à travailler.

POUR UTILISER DU SAC À POUSSIÈRE

Voir la figure 8, page 18.

- Retirer le bloc de batteries.
- Glisser le sac à poussière sur la évacuation de la poussière.

UTILISATION

AVERTISSEMENT :

La poussière produite lors de revêtements de surface tels que le polyuréthane, l'huile de lin, etc., peut s'enflammer spontanément à l'intérieur ou à l'extérieur du sac et causer un incendie. Pour réduire le risque d'incendie, vider fréquemment le poussière (toutes les 10 à 15 minutes) et ne jamais laisser ou remiser la outil sans avoir complètement vidé le poussière. En outre, suivre les recommandations des fabricants de revêtements.

POUR UTILISER AVEC L'ASPIRATEUR OU SYSTÈME DE COLLECTION DE POUSSIÈRE

Vous pouvez facilement joindre un aspirateur à la scie.

Pour raccordement :

- Retirer le bloc de batteries.
- Retirer le sac à poussière de la scie.
- Emboîter le tuyau de l'aspirateur dans la sortie d'air de la ponceuse.

AVERTISSEMENT :

Lorsqu'il n'est pas connecté à aspirateur, toujours installer le sac à poussière de la scie. Si cette précaution n'est pas prise, de la sciure ou d'autres objets peuvent être projetés dans les yeux et causer des lésions graves.

AVERTISSEMENT :

Ne pas laisser la familiarité avec l'outil faire oublier la prudence. Ne pas oublier qu'une fraction de seconde d'inattention peut entraîner des blessures graves.

AVERTISSEMENT :

Toujours porter une protection oculaire certifiée conforme à la norme ANSI Z87.1. Si cette précaution n'est pas prise, des objets peuvent être projetés dans les yeux et causer des lésions graves.

AVERTISSEMENT :

Ne pas utiliser d'outils ou accessoires non recommandés pour cet outil. L'utilisation de pièces et accessoires non recommandés peut entraîner des blessures graves.

APPLICATIONS

Ce produit est conçu uniquement pour les applications suivantes :

- Coupe matériaux laminés, d'ingénierie, LVT et solide, le planchers en bois jusqu'à 19 mm (3/4 po) maximum.

AVERTISSEMENT :

NE JAMAIS marquer à n'importe quel angle de coupe pendant que la scie court et la lame tourne. N'importe quelle erreur peut avoir pour résultat le contact avec la lame causant des blessures graves.

INSTALLATION ET RETRAIT DU BLOC-PILES

Voir la figure 9, page 18.

- Insérer la batterie dans l'outil tel qu'illustré.
- S'assurer que les loquets de chaque côté du bloc-piles s'enclenchent correctement et que le bloc-piles est sécurisé au produit avant de mettre sous tension.

AVERTISSEMENT :

Toujours retirer la batterie de l'outil au moment d'assembler des pièces, d'effectuer des réglages et de procéder au nettoyage, ou lorsque l'outil n'est pas utilisé. Le fait de retirer la batterie permet d'empêcher un démarrage accidentel pouvant entraîner des blessures graves.

- Appuyer sur les loquets pour retirer le bloc-piles.

Consulter les manuels d'utilisation du bloc-piles et du chargeur pour connaître toutes les instructions de charge.

POUR ÉVITER LE REBOND

- S'assurer de l'absence de noeuds ou de clous dans le bois avant de commencer une coupe. Retirer les noeuds décollés à l'aide d'un marteau. Ne jamais scier de noeuds décollés ou de clous.
- Toujours utiliser le guide pour les coupes en long. Ceci évite la déviation du bois pendant la coupe.
- Toujours utiliser des lames propres, bien affûtées et correctement réglées. Ne jamais couper avec une lame émoussée.
- Afin d'éviter le pincement de la lame, soutenir la pièce avant de commencer la coupe.
- Appliquer une pression constante et régulière sur la pièce. Ne jamais forcer la coupe.
- Ne pas couper des planches humides ou voilées.
- Utiliser la attention extra en coupant quelque prefinished ou les produits de bois de composition comme les griffes antirebond toujours ne peuvent pas être efficaces.
- Toujours diriger votre la pièce avec les deux mains ou avec des bâtons pousoirs et/ou blocs pousoirs. Se tenir bien campé afin de pouvoir la maîtriser en cas de rebond. Ne jamais se tenir en ligne avec la lame.
- Nettoyer la scie, le protège-lame, sous la plaque à gorge, et n'importe quels sciure où n'importe quelle poussière de scie ou les pièces de fragment peuvent rassembler.

UTILISATION

- Utiliser des lames dont le type correspond au type de coupe.
- Toujours utiliser couteau diviseur pour chaque opération où il est permis. L'usage de cet appareil réduira fort le risque de rebond.

MISE EN MARCHÉ ET ARRÊT DE LA SCIE

Voir la figure 10, page 18.

Pour mettre la scie en marche :

- Appuyer sur le bouton de verrouillage.
- Appuyer sur la gâchette.

Toujours laisser la lame parvenir à sa vitesse maximum avant de l'engager dans le bois.

- Pour les coupes longitudinales, enclencher la fonction de verrouillage en appuyant sur le bouton de verrouillage et la gâchette de commutateur. Presser et maintenir le bouton de verrouillage situé sur le côté de la poignée, puis relâcher la gâchette de commutateur.

AVERTISSEMENT :

La mise en contact avec le bois d'une lame ne tournant pas à pleine vitesse peut causer un rebond risquant d'entraîner des blessures graves.

Pour arrêter la scie : Relâcher la gâchette.

Une fois la gâchette relâchée laisser la lame parvenir à l'arrêt complet. **Ne pas retirer la scie de la pièce avant arrêt complet de la lame.**

Pour verrouiller la scie :

Installer un cadenas (non inclus) dans le trou de la gâchette de commutateur et s'assurer que le commutateur n'est pas opérationnel. Si le commutateur est toujours utilisable avec le cadenas installé, il faut utiliser un cadenas avec un étrier plus large. Ranger la clé du cadenas dans un autre endroit.

POUR RELEVER ET ABAISSER GRIFFES ANTI-REBOND

Voir la figure 11, page 18.

Les griffes antirebond sont à ressort et très forte. Utilisez un seul doigt pour relever ou abaisser ces griffes tout en gardant soigneusement toutes les parties du corps loin des pointes acérées des griffes.

- Tourner le bouton de dégagement antirecul en sens antihoraire pour desserrer.
- À l'arrière de la scie, placer un doigt sous les griffes antirecul.
- Lever ou abaisser pour ajuster la hauteur des griffes antirecul en fonction de l'épaisseur du matériau à couper.
- Tourner le bouton de dégagement antirecul en sens horaire pour serrer.
- Lors de la coupe transversale, soulever les griffes antirecul à l'aide du bouton pour assurer qu'il n'y ait aucune interférence avec la pièce à travailler pendant l'utilisation.

EXÉCUTION DE COUPES

Sa scie peut exécuter un assortiment de coupes qui ne sont pas tout mentionné dans ce manuel. NE PAS tente de faire n'importe quelles coupures n'ont pas couvert ici à moins que vous êtes à fond familier avec les procédures correctes et les accessoires nécessaires. Votre bibliothèque locale a beaucoup de livres sur la scie l'usage et les procédures de travail du bois spécialisé pour votre référence.

La lame fournie avec la scie est une lame mixte de haute qualité qui peut être utilisée pour les coupes longitudinales et transversales. Vérifier attentivement tous les réglages et faire tourner la lame d'un tour complet pour assurer qu'elle tourne librement avant de brancher la scie.

AVERTISSEMENT :

Ne pas utiliser de lames dont la vitesse de rotation nominale est inférieure à celle de l'outil. Ne pas prendre cette précaution pourrait entraîner des blessures graves.

AVERTISSEMENT :

Toujours garder les mains et le corps hors du passage de la lame. Ne pas prendre cette précaution pourrait entraîner des blessures graves.

POUR COUPES TRANSVERSALES

Voir la figure 12, page 18.

La coupe est effectuée en travers du grain de la pièce de bois.

- Retirer le bloc de batteries.
- Retirer la bride de serrage de son espace de rangement sous la table à scie.
- Installer la bride de serrage de pièce sur la guide (voir la section **Pour installer la bride de serrage** indiquée plus tôt dans le manuel).
- Placer le guide à onglets dans la position de coupe en transversale (voir la section **Pour installer le guide pour réaliser des coupes d'onglets et transversales** indiquée plus tôt dans le manuel) et fixé à 0 °. Serrez le bouton de serrage sécurité.
- Abaisser le levier de verrouillage du coulissement et poussez la scie à l'arrière de la table de la scie.
- Placer la pièce à couper à plat sur la table à scie, l'un de ses bords solidement appuyé contre le guide.
- Aligner la ligne de coupe de la pièce sur le bord de la lame. Utiliser un bride de serrage pour maintenir la pièce. No serrez pas trop.
- Insérer la pile dans la scie.
- Dégager les griffes antirecul.
- Avant de mettre la scie en marche, s'assurer que le bois ne touche pas la lame.

UTILISATION

NOTE : Lever les griffes antirecul pour réaliser les coupes transversales ou les coupes d'onglets.

- Abaisser les griffes antirecul (voir la section **Pour lever et abaisser les griffes antirecul** indiquée plus tôt dans le manuel).
- Saisir fermement le manche de la scie. Enfoncer le levier de verrouillage et puis serrer la gâchette.
- Attendre quelques secondes que la lame atteigne sa vitesse de rotation maximale. avant d'avancer la pièce vers la lame.
- Pousser lentement la lame sur la pièce à travailler, puis à travers.
- Une fois la coupe effectuée, relâcher la gâchette. Attendre que la lame s'arrête complètement avant de retirer la pièce.

POUR COUPE D'ONGLET

Voir la figure 13, page 19.

Les coupes d'onglets sont réalisées en guide sur tout angle autre que 0°.

- Retirer le bloc de batteries.
- Retirer la bride de serrage de son espace de rangement sous la table à scie.
- Installer la bride de serrage de pièce sur la guide (voir la section **Pour installer la bride de serrage** indiquée plus tôt dans le manuel).
- Placer le guide à onglets dans la position de coupe d'onglet (voir la section **Pour installer le guide pour réaliser des coupes d'onglets et transversales** indiquée plus tôt dans le manuel) et la guide à l'angle désiré. Serrez le bouton de serrage sécurité.
- Abaisser le levier de verrouillage du coulissement et poussez la scie à l'arrière de la table de la scie.
- Placer la pièce à couper à plat sur la table à scie, l'un de ses bords solidement appuyé contre le guide.
- Aligner la ligne de coupe de la pièce sur le bord de la lame. Utiliser un bride de serrage pour maintenir la pièce. No serrez pas trop.
- Insérer la pile dans la scie.
- Dégager les griffes antirecul.
- Avant de mettre la scie en marche, s'assurer que le bois ne touche pas la lame.

NOTE : Lever les griffes antirecul pour réaliser les coupes transversales ou les coupes d'onglets.

- Abaisser les griffes antirecul (voir la section **Pour lever et abaisser les griffes antirecul** indiquée plus tôt dans le manuel).
- Saisir fermement le manche de la scie. Enfoncer le levier de verrouillage et puis serrer la gâchette.
- Attendre quelques secondes que la lame atteigne sa vitesse de rotation maximale. avant d'avancer la pièce vers la lame.

- Pousser lentement la lame sur la pièce à travailler, puis à travers.
- Une fois la coupe effectuée, relâcher la gâchette. Attendre que la lame s'arrête complètement avant de retirer la pièce.

COUPE LONGITUDINALE

Voir les figures 14 - 15, page 19.



AVERTISSEMENT :

Risque de lacération. Utiliser la fonction de verrouillage de la scie uniquement pour les coupes longitudinales. L'utilisation de cette fonction pour tout autre mode de coupe peut entraîner des blessures graves.

Les coupes longitudinales sont faits avec la scie verrouillé en place. Si la guide n'est pas correctement au carré de la lame, les bords de la pièce peut noircir ou brûler.

- Retirer le bloc de batteries.
- Retirer le guide de son espace de rangement sous la table à scie.
- Placer le guide dans la position de coupe longitudinale (voir la section **Pour installer le guide pour réaliser des coupes longitudinale** indiquée plus tôt dans le manuel) à la distance voulue de la lame pour la coupe. Serrez le bouton de serrage sécurité.
- Abaisser le levier de verrouillage du coulissement ou mettre la scie sur le rail coulissant jusqu'à ce que la goupille de verrouillage et un des deux trous du rail s'alignent.
- Lever le levier de verrouillage du coulissement pour bloquer la scie sur le rail.
- Vérifier que le guide est parallèle à la lame, en mesurant à partir du guide vers l'avant et l'arrière de la lame pour assurer des distances égales.
- Insérer la pile dans la scie.
- Enclencher la fonction de verrouillage.
- Avant de mettre la scie en marche, s'assurer que le bois ne touche pas la lame.
- Mettre la scie en marche en appuyant sur le levier de verrouillage de la gâchette et en pressant la gâchette de commutateur.

NOTE : Cette scie est dotée d'une fonction de verrouillage, qui doit servir uniquement pour une coupe longitudinale continue ou pour une période prolongée. Pour enclencher la fonction de verrouillage, appuyer sur le bouton de verrouillage et la gâchette de commutateur. Presser et maintenir le bouton de verrouillage situé sur le côté de la poignée, puis relâcher la gâchette de commutateur. Relâcher le bouton de verrouillage et la scie continuera de fonctionner. Pour désactiver la fonction de verrouillage, appuyer sur la gâchette de commutateur et relâcher.

UTILISATION

- Placer la pièce à couper à plat sur la table de scie, l'un de ses bords solidement appuyé contre le guide.
- Aligner la ligne de coupe de la pièce sur le indicateur.
- Attendre quelques secondes que la lame atteigne sa vitesse de rotation maximale. avant d'avancer la pièce vers la lame.
- Avec l'inclus bâton poussoir, pousser lentement la pièce vers la lame. Se tenir légèrement sur le côté du bois au moment du contact avec la lame pour réduire les possibilités de blessure en cas de rebond.
- Pour la coupe longitudinale d'une pièce longue, placer un support de même hauteur que la surface de la table à l'avant et à l'arrière de la scie pour soutenir la pièce à travailler.
- Une fois que la lame a pris contact avec la pièce, utilisez le plus proche de la main à la guide pour le guider. Assurez-vous que le bord de la pièce reste en contact solide avec les deux la guide et la surface de la table. Utilisez un bâton poussoir et / ou bloc poussoir à déplacer la pièce à travers la coupe et le passé la lame
- Une fois la coupe effectuée, dégager la gâchette. Attendre que la lame s'arrête complètement avant de retirer la pièce.

POUR METTRE DES ACCESSOIRES

Voir la figure 16, page 19.

La scie a un espace de rangement commodes spécialement conçus pour le bâton poussoir, guide longitudinal, guide à onglets et les clés pour lame (sous de la table de la scie).

Pour mettre le bâton poussoir :

- La pile étant retirée, incliner la table à scie en arrière.
- Placer les trous larges du bâton poussoir sur les vis.
- Glisser le bâton poussoir vers la gauche pour sécuriser sur les vis.

Pour ranger le guide longitudinal et le guide à onglets :

- La pile étant retirée, incliner la table à scie en arrière.
- Les goupilles de position étant orientées vers l'extérieur, glisser les deux bouts de chaque guide dans les fentes en caoutchouc situées au bas de la scie.

Pour mettre le clé de lame :

- La pile étant retirée, incliner la table de la scie en arrière.
- Poussez la clés de lame dans la fente de rangement sous de la table de la scie.

POUR DÉPLACER DE SCIE

Voir la figure 17, page 20.

Lors du transport de la scie, toujours verrouiller la scie pour éviter le bras de la scie de se déplacer sur des barres coulissants.

- Retirer le bloc de batteries.
- Poussez ou tirez la scie sur les barres coulissants jusqu'à ce que la goupille de verrouillage et le trou dans le barre sont alignés.
- Lever le levier de verrouillage pour verrouiller de la scie à sa place.
- Soulevez la scie par la poignée de transport.

ENTRETIEN

AVERTISSEMENT :

Utiliser exclusivement des pièces d'origine pour les réparations. L'usage de toute autre pièce pourrait créer une situation dangereuse ou endommager l'outil.

AVERTISSEMENT :

Toujours porter une protection oculaire certifiée conforme à la norme ANSI Z87.1 lors de l'utilisation de produit. Si une opération dégage de la poussière, porter également un masque anti-poussière.

AVERTISSEMENT :

Avant d'effectuer tout entretien, assurez-vous que la outil est débranchée et que le bloc-piles est retiré de l'outil. Le non-respect de cette règle peut occasionner de graves blessures.

ENTRETIEN GÉNÉRAL

Éviter d'utiliser des solvants pour le nettoyage des pièces en plastique. La plupart des matières plastiques peuvent être endommagées par divers types de solvants du commerce. Utiliser un chiffon propre pour éliminer la saleté, la poussière, l'huile, la graisse, etc.

AVERTISSEMENT :

Ne jamais laisser de liquides tels que le fluide de freins, l'essence, les produits à base de pétrole, les huiles pénétrantes, etc., entrer en contact avec les pièces en plastique. Les produits chimiques peuvent endommager, affaiblir ou détruire le plastique, ce qui peut entraîner des blessures graves.

- Vérifier régulièrement le serrage et l'état de tous les colliers, écrous boulons et vis. S'assurer que la plaque à gorge est en bon état et bien en place.
- Vérifier la garde de lame.
- Nettoyer les le guide et les rails avec un produit pour résine et gommés.
- **Nettoyer les pièces en plastique uniquement avec un chiffon doux humide. NE PAS** utiliser de produits en aérosol ni de solvants pétroliers.

LUBRIFICATION

Tous les roulements de cet outil sont enduits d'une quantité suffisante de lubrifiant de haute qualité pour la durée de vie de l'outil, dans des conditions d'utilisation normales.

Certaines zones nécessitent des réglages peu fréquents. Effectuer les applications suivantes :

- Huile légère ou huile légère en aérosol sur les barres coulissantes.

POUR REMPLACER LA LAME

Voir les figures 18 - 19, page 20.

AVERTISSEMENT :

La taille maximum de lame pouvant être utilisée sur cette scie est de 139,7 mm (5-1/2 po). Ne jamais utiliser une lame trop épaisse. Les lames plus larges toucheront le protège-lame, tandis que les lames plus épaisses pourraient ne pas laisser le couteau diviseur réduire efficacement le risque de recul. Ces deux situations peuvent causer un accident et des blessures graves.

- Retirer le bloc de batteries.
- Desserrer les vis sur le couvercle du protège-lame.
- Ouvrir le couvercle du protège-lame pour exposer le boulon de lame.
- Appuyer sur bouton de verrouillage de la broche et tourner le boulon de lame jusqu'à ce que la broche se verrouille.
- À l'aide de la clé de lame fournie, desserrer et retirer le boulon de lame.

NOTE : Le boulon de lame est fileté à gauche. Il doit donc être tourné vers la droite pour être desserré.

- Retirer la rondelle de lame extérieure. **Ne pas** retirer la rondelle intérieure de la lame.

AVERTISSEMENT :

Si la rondelle intérieure de la lame a été retirée, la remettre en place avant d'installer la lame sur la scie. L'absence de cette pièce pourrait causer un accident, car la lame ne serait pas correctement serrée.

- Engager la lame dans la garde et sur la broche. Les dents doivent être orientées vers le haut à l'avant de la lame, comme le montre.

NOTE : Trait de scie doit être avec un minimum de 2,4 mm (3/32 po).

- Remettre en place la rondelle de lame extérieure. Les deux méplats en « D » des rondelles de lame s'alignent sur les méplats de la broche.
- Appuyer sur le bouton de verrouillage de la broche et réinstaller le boulon de lame.

ATTENTION :

Toujours installer la lame avec les dents et la flèche imprimée sur son côté, orientées vers le haut à l'avant de la scie.

- Serrer les quatre boulons fermement.

ENTRETIEN

NOTE : Le boulon de lame est fileté à gauche. Il doit donc être tourné vers la gauche pour être serré.

- Fermer le couvercle du protège-lame et serrer fermement les vis.

RETRAIT / REMPLACEMENT DE LA PLAQUE À GORGE

Voir la figure 20, page 20.

ATTENTION :

La plaque à gorge doit être au dessous de la table de scie. Si la plaque à gorge est trop haute ou trop basse, la pièce de bois peut accrocher les bords inégaux et causer un blocage entraînant des blessures graves.

Ne jamais utiliser la scie à moins que la plaque à gorge ne soit installée.

Retrait / remplacement :

- Retirer le bloc de batteries.
- Retirer les vis fixant la plaque à gorge.
- Retirer la plaque à gorge de la scie. Répéter les étapes ci-dessus pour le côté gauche de la plaque à gorge.
- Pour réinstaller la plaque à gorge, aligner ses trous sur ceux de la base de la scie.

- Remettre les vis en place en veillant à ne pas trop les serrer ce qui pourrait causer le voilage ou la déformation de la plaque.

POUR AJUSTER LE GALET INFÉRIEUR

Voir la figure 21, page 21.

- Desserrer les deux écrous du galet inférieur.
- Déplacer le boulon sécurisant le galet vers l'intérieur ou l'extérieur, pour ajuster la scie jusqu'à ce qu'elle soit perpendiculaire à la table à scie.

POUR AJUSTER LE RAIL COULISSANT

Voir la figure 22, page 21.

Le rail coulissant doit se déplacer sur toute la longueur de l'ensemble de scie et être perpendiculaire aux guides.

- Utiliser les deux fentes ovales situées sous les supports du rail, sous la scie, pour ajuster le rail coulissant afin qu'il soit perpendiculaire aux guides.
- Utiliser une équerre de charpentier pour aligner la lame sur le guide de coupe d'onglets et transversale à un angle de 90°.

ACCESSOIRES

Les accessoires recommandés ci-dessous sont actuellement en vente dans les magasins de détail :

Lame de scie 089230100053

AVERTISSEMENT :

Les outils et accessoires disponibles actuellement pour cet outil sont listés ci-dessus. Ne pas utiliser d'outils ou accessoires non recommandés pour cet outil. L'utilisation de pièces et accessoires non recommandés peut entraîner des blessures graves.

**NOTE: ILLUSTRATIONS COMMENCANT À LA PAGE 19,
APRÈS LE SECTION EN ESPAGNOL.**

REGLAS DE SEGURIDAD GENERALES



ADVERTENCIA:

Lea todas las advertencias, instrucciones, ilustraciones y especificaciones proporcionadas con esta herramienta eléctrica. No seguir las instrucciones indicadas a continuación puede provocar descargas eléctricas, incendios o lesiones graves.

Guarde todas las advertencias e instrucciones para consultarlas en el futuro. El término “herramienta eléctrica” en las advertencias se refiere a las herramientas eléctricas que funcionan con corriente (con cordón) o las que funcionan con batería (inalámbricas).

ÁREA DE TRABAJO

- **Mantenga limpia y bien iluminada el área de trabajo.** Un área de trabajo mal despejada o mal iluminada propicia accidentes.
- **No utilice herramientas motorizadas en atmósferas explosivas, como las existentes alrededor de líquidos, gases y polvos inflamables.** Las herramientas eléctricas generan chispas que pueden encender el polvo y los vapores inflamables.
- **Mantenga alejados a los niños y circunstantes al maniobrar una herramienta eléctrica.** Toda distracción puede causar la pérdida del control de la herramienta.

SEGURIDAD ELÉCTRICA

- **Las clavijas de las herramientas eléctricas deben corresponder a las tomas de corriente donde se conectan. Nunca modifique la clavija de ninguna forma. No utilice ninguna clavija adaptadora con herramientas eléctricas dotadas de contacto a tierra.** Conectando las clavijas originales en las tomas de corriente donde corresponden se disminuye el riesgo de una descarga eléctrica.
- **Evite el contacto del cuerpo con las superficies de objetos conectados a tierra, como las tuberías, radiadores, estufas y refrigeradores.** Existe un mayor riesgo de descargas eléctricas si el cuerpo está haciendo tierra.
- **No exponga las herramientas eléctricas a la lluvia ni a condiciones de humedad.** La introducción de agua en una herramienta eléctrica aumenta el riesgo de descargas eléctricas.
- **No maltrate el cordón eléctrico. Nunca utilice el cordón para trasladar, desconectar o tirar de la herramienta eléctrica. Mantenga el cordón lejos del calor, aceite, bordes afilados y piezas móviles.** Los cordones eléctricos dañados o enredados aumentan el riesgo de descargas eléctricas.
- **Al utilizar una herramienta eléctrica a la intemperie, use un cordón de extensión apropiado para el exterior.** Usando un cordón adecuado para el exterior se disminuye el riesgo de descargas eléctricas.
- **Si debe operar una herramienta en lugares húmedos, use un suministro protegido por un interruptor de circuito con pérdida a tierra (GFCI).** El uso de un GFCI reduce el riesgo de descargas eléctricas.

SEGURIDAD PERSONAL

- **Permanezca alerta, preste atención a lo que esté haciendo y aplique el sentido común al utilizar herramientas eléctricas. No utilice la herramienta eléctrica si está cansado o se encuentra bajo los efectos de alguna droga, alcohol o medicamento.** Un momento de inatención al utilizar una herramienta eléctrica puede causar lesiones corporales serias.
- **Utilice protección el equipo otros. Siempre póngase protección ocular.** El uso de equipo protector como mascarilla para el polvo, calzado de seguridad, casco y protección para los oídos en las circunstancias donde corresponda disminuye el riesgo de lesiones.
- **Evite que la herramienta se active accidentalmente. Asegúrese de que el interruptor esté en la posición de apagado antes de conectar la herramienta a un suministro de corriente o de colocar un paquete de baterías.** Transportar herramientas eléctricas con el dedo en el interruptor o enchufar herramientas eléctricas que tienen el interruptor encendido puede ocasionar accidentes.
- **Retire toda llave o herramienta de ajuste antes de encender la herramienta eléctrica.** Toda llave o herramienta de ajuste dejada en una pieza giratoria de la herramienta eléctrica puede causar lesiones.
- **No estire el cuerpo para alcanzar mayor distancia. Mantenga una postura firme y buen equilibrio en todo momento.** De esta manera se logra un mejor control de la herramienta eléctrica en situaciones inesperadas.
- **Vístase adecuadamente. No vista ropas holgadas ni joyas. Mantenga el cabello, la ropa y los guantes alejados de las piezas móviles.** Las ropas holgadas y las joyas, así como el cabello largo, pueden engancharse en las piezas móviles.
- **Si se suministran dispositivos para conectar mangueras de extracción y captación de polvo, asegúrese de que éstas estén bien conectadas y se usen correctamente.** El uso de la captación de polvo puede reducir los peligros relacionados con éste.
- **No permita que la familiaridad obtenida por el uso frecuente de las herramientas lo vuelva complaciente e ignore los principios de seguridad de las herramientas.** Una acción descuidada puede causar lesiones graves en una fracción de segundo.

EMPLEO Y CUIDADO DE LA HERRAMIENTA ELÉCTRICA

- **No fuerce la herramienta eléctrica. Utilice la herramienta eléctrica adecuada para cada trabajo.** La herramienta eléctrica adecuada efectúa mejor y de manera más segura el trabajo, si además se maneja a la velocidad para la que está diseñada.
- **No utilice la herramienta si el interruptor no enciende o no apaga.** Cualquier herramienta eléctrica que no pueda controlarse con el interruptor es peligrosa y debe repararse.
- **Desconecte el enchufe de la fuente de alimentación o retire el paquete de baterías, si es desmontable, de la herramienta eléctrica antes de realizar ajustes, cambiar accesorios o almacenar herramientas eléctricas.** Tales

REGLAS DE SEGURIDAD GENERALES

medidas preventivas de seguridad reducen el riesgo de poner en marcha accidentalmente la herramienta.

- **Guarde las herramientas eléctricas desocupadas fuera del alcance de los niños y no permita que las utilicen personas no familiarizadas con las mismas o con estas instrucciones.** Las herramientas eléctricas son peligrosas en manos de personas no capacitadas en el uso de las mismas.
- **Mantenimiento de las herramientas eléctricas y accesorios. Revise para ver si hay desalineación o atoramiento de piezas móviles, ruptura de piezas o toda otra condición que pueda afectar el funcionamiento de la herramienta eléctrica. Si está dañada la herramienta eléctrica, permita que la reparen antes de usarla.** Numerosos accidentes son causados por herramientas eléctricas mal cuidadas.
- **Mantenga las herramientas de corte afiladas y limpias.** Las herramientas de corte bien cuidadas y con bordes bien afilados, tienen menos probabilidad de atascarse en la pieza de trabajo y son más fáciles de controlar.
- **Use la herramienta eléctrica, los accesorios, las brocas, etc. según estas instrucciones, teniendo en cuenta las condiciones de trabajo y la tarea que se va a realizar.** Si se utiliza la herramienta eléctrica para operaciones diferentes de las indicadas podría originar una situación peligrosa.
- **Mantenga los mangos y superficies de agarre limpias y libres de aceite y grasa.** Los mangos y superficies de agarre resbalosas no permiten la manipulación y control seguro de la herramienta en situaciones inesperadas.

EMPLEO Y CUIDADO DE LA HERRAMIENTA DE BATERÍAS

- **Sólo cargue el paquete de baterías con el cargador especificado por el fabricante.** Un cargador adecuado para un tipo paquete de baterías puede significar un riesgo de incendio si se emplea con un paquete de baterías diferente.
- **Cargue las baterías solamente con el cargador indicado.** Para utilizar con paquetes de baterías de litio de 18 V, consulte el folleto de la herramienta/aparato/paquete de baterías/cargador complementario 988000-302.
- **Utilice las herramientas eléctricas sólo con los paquetes de baterías específicamente indicados.** El empleo de paquetes de baterías diferentes puede presentar un riesgo de incendio.
- **Cuando no esté utilizándose el paquete de baterías, manténgalo lejos de otros objetos metálicos, como clips, monedas, llaves, clavos, tornillos o otros objetos metálicos, pequeños que puedan establecer conexión entre ambas terminales.** Establecer una conexión directa entre las dos terminales de las baterías puede causar quemaduras o incendios.
- **Si se maltratan las baterías, puede derramarse líquido de las mismas; evite todo contacto con éste. En caso de contacto, lávese con agua. Si el líquido llega a tocar los ojos, además busque atención médica.** El líquido de las baterías puede causar irritación y quemaduras.
- **No utilice un paquete de baterías o una herramienta que esté dañado o modificado.** Las baterías dañadas o

modificadas pueden tener un funcionamiento impredecible que provoque incendios, explosiones o riesgo de lesiones.

- **No exponga el paquete de baterías o una herramienta al fuego o a temperaturas excesivas.** La exposición al fuego o a temperatura sobre los 130 °C (265 °F) puede provocar explosiones.
- **Siga todas las instrucciones de carga y no cargue el paquete de baterías ni la herramienta fuera del rango de temperaturas especificado en las instrucciones.** Si realiza la carga en forma incorrecta o fuera de las temperaturas del rango especificado puede dañar la batería y aumentar el riesgo de incendios.
- **No se necesita conectar a una toma de corriente las herramientas de baterías; por lo tanto, siempre están en condiciones de funcionamiento. Esté consciente de los posibles peligros cuando no esté usando la herramienta de baterías o cuando esté cambiando los accesorios de la misma.** Con el cumplimiento de esta regla se reduce el riesgo de una descarga eléctrica, incendio o lesión corporal seria.
- **No coloque herramientas de baterías ni las baterías mismas cerca del fuego o del calor.** De esta manera se reduce el riesgo de explosiones y de lesiones.
- **No aplaste, deje caer o dañe de baterías. Nunca utilice una batería o cargador que se ha caído, aplastado, recibido un golpe contundente o ha sido dañado(a) de alguna manera.** Las baterías dañadas pueden sufrir explosiones. Deseche de inmediato toda batería que haya sufrido una caída o cualquier daño.
- **Las baterías pueden explotar en presencia de fuentes de inflamación, como los pilotos de gas.** Para reducir el riesgo de lesiones serias, nunca use un producto inalámbrico en presencia de llamas expuestas. La explosión de una batería puede lanzar fragmentos y compuestos químicos. Si ha quedado expuesto a la explosión de una batería, lávese de inmediato con agua.
- **No cargue herramientas de baterías en lugares mojados o húmedos. No lo utilice, guarde o cargue la paquete de baterías o la unidad en lugares donde la temperatura sea inferior a 10 °C (50 °F) o superior a 38 °C (100 °F).** No guarde la herramienta a la intemperie ni en el interior de vehículos.
- **En condiciones extremas de uso o temperatura las baterías pueden emanar líquido. Si el líquido llega a tocarle la piel, lávese de inmediato con agua y jabón. Si le entra líquido en los ojos, láveselos con agua limpia por lo menos 10 minutos, y después busque de inmediato atención médica.** Con el cumplimiento de esta regla se reduce el riesgo de lesiones corporales serias.

SERVICIO

- **Permita que un técnico de reparación calificado preste servicio a la herramienta eléctrica, y sólo con piezas de repuesto idénticas.** De esta manera se mantiene la seguridad de la herramienta eléctrica.
- **Nunca repare paquetes de baterías dañados.** La reparación de paquetes de baterías solo puede ser realizada por el fabricante o proveedores de servicio autorizados.

REGLAS DE SEGURIDAD ESPECÍFICAS

- **Las sierras para pisos sirven para cortar madera o productos parecidos a la madera; no pueden usarse con discos de corte abrasivo para cortar material férreo, como barras, varillas, vigas, etc.** El polvo abrasivo hace que las partes móviles, como la protección inferior, se atasquen. Las chispas que se producen durante el corte abrasivo quemarán la protección inferior, el accesorio de corte y otras partes plásticas.
- **No use la sierra hasta que la mesa esté libre de cualquier otra herramienta, desechos de madera, etc. Solo debe estar la pieza de trabajo.** En caso de haber desechos pequeños, piezas de manera sueltas o cualquier otro objeto que haga contacto con la hoja en movimiento, estos podrían salir disparados a gran velocidad.
- **Corte solo una pieza de trabajo por vez.** Varias piezas de trabajo apiladas no pueden sujetarse de forma adecuada, por lo que podrían quedar atascadas en la hoja o desplazarse durante el corte.
- **Asegúrese de que la sierra para pisos esté montada o colocada en una superficie de trabajo nivelada y firme antes de usarla.** Una superficie de trabajo nivelada y firme reduce el riesgo de que la sierra para pisos pierda estabilidad.
- **Use la sierra en el piso o en una mesa segura para asegurar un soporte adecuado.**
- **No utilice a otra persona como sustituto de una extensión de mesa o como soporte adicional.** Un soporte inestable para la pieza de trabajo puede hacer que la hoja se atasque o que la pieza de trabajo se mueva durante la operación de corte y los empuje a usted y al ayudante en dirección a la hoja giratoria.
- **Deje que la hoja alcance su velocidad máxima antes de hacer contacto con la pieza de trabajo.** Esto reducirá el riesgo de que la pieza de trabajo salga disparada.
- **Si la pieza de trabajo o la hoja se atascan, apague la sierra para pisos. Espere a que todas las partes en movimiento se detengan y desconecte el enchufe de la fuente de alimentación o quite el paquete de baterías. Luego, quite el material atascado.** Si continúa usando la sierra con una pieza de trabajo atascada, podría perder el control o dañar la sierra para pisos.
- **Guarde estas instrucciones.** Consúltelas con frecuencia y empléelas para instruir a otros usuarios. Si presta a alguien esta herramienta, facilítele también las instrucciones.

PARA CORTES AL HILO

- **Nunca atraviese la mano por la línea de corte, ya sea por delante de la hoja de la sierra o por detrás de ella.** Sostener la pieza de trabajo con las "manos invertidas" (por ejemplo, sostenerla sobre la derecha de la hoja de la sierra con la mano izquierda o viceversa) es peligroso.
- **No acerque las manos detrás de la guía a una distancia menor de 100 mm (4 pulg.) en ambos lados de la hoja de la sierra, para quitar desechos de madera ni por ninguna otra razón mientras la hoja gire.** Es posible que no note la proximidad de la hoja de la sierra en movimiento con respecto a la mano, por lo que podría lesionarse de forma severa.
- **Después de terminar el corte, suelte el interruptor, y espere a que la hoja se detenga antes de quitar la pieza de corte.** Acercar la mano a la hoja en movimiento con el motor apagado es peligroso.
- **Asegúrese de que la sierra para pisos esté bloqueada durante el corte al hilo y que las guías estén bloqueadas en su lugar antes de cortar.**

PARA CORTES TRANSVERSALES

- **Utilice abrazaderas para sostener la pieza de trabajo cuando sea posible. Si sostendrá la pieza de trabajo con la mano, siempre manténgala a una distancia de, al menos, 100 mm (4 pulg.) en ambos lados de la hoja de la sierra. No use esta sierra para cortar piezas demasiado pequeñas para sostener con la mano o por medio de la abrazadera de forma segura.** Si coloca la mano muy cerca de la hoja de la sierra, hay mayor riesgo de lesiones debido al contacto con la hoja.
- **Planifique su trabajo. Cada vez que cambie la configuración del ángulo del bisel o el inglete, asegúrese de que la guía ajustable esté colocada correctamente para sostener la pieza de trabajo y no interfiera con la hoja o el sistema de protección.** Sin encender la herramienta y sin que haya ninguna pieza de trabajo sobre la mesa, mueva la hoja de la sierra para realizar un corte simulado completo a fin de asegurarse de que no haya interferencia ni peligro de cortar la guía.
- **La pieza de corte no debe forzarse ni presionarse de ningún modo contra la hoja de la sierra en movimiento.** Si se la limita, por ejemplo, utilizando topes de longitud, la pieza de corte podría quedar atrapada contra la hoja y salir disparada de forma violenta.
- **La pieza de trabajo debe estar inmóvil y sujeta o sostenida contra la guía y la mesa. No empuje la pieza de trabajo hacia la hoja o corte sin usar las manos de ninguna manera.** Las piezas de trabajo sueltas o en movimiento podrían salir despedidas a gran velocidad, lo que puede causar lesiones.
- **Inspeccione la pieza de trabajo antes de realizar cortes. Si la pieza de trabajo está doblada o deformada, sujétela con la cara doblada exterior hacia la guía. Asegúrese siempre de que no haya espacio entre la pieza de trabajo, la guía y la mesa a lo largo de la línea de corte.** Las piezas de trabajo dobladas o deformadas podrían torcerse o desplazarse, y hacer que la hoja de la sierra en movimiento se atasque durante el corte. No debe haber clavos ni objetos extraños en la pieza de trabajo.
- **Use siempre una abrazadera o un accesorio diseñado para sostener material redondo (como varillas o tubos) de forma adecuada.** Las varillas tienden a rodar al cortarlas, lo que hace que la hoja muerda y tire del trabajo con la mano hacia la hoja.
- **Empuje la sierra a través de la pieza de trabajo. No tire de la sierra en dirección a la pieza de trabajo. Para hacer un corte, eleve la cabeza de la sierra y tire. Para hacer un corte, encienda la sierra y empújela en la pieza de trabajo.** Si corta tirando hacia usted, es posible que la hoja de la sierra suba a la parte superior de la pieza de trabajo y el conjunto de la hoja se dispare violentamente hacia el operador.

ADVERTENCIAS DE SEGURIDAD ADICIONALES

- **Familiarícese con su herramienta eléctrica.** Lea cuidadosamente el manual del operador. Aprenda los usos, limitaciones y posibles peligros relacionados con esta herramienta.
- **Siempre póngase protección ocular con protección lateral con la marca de cumplimiento de la norma ANSI Z87.1 junto con protección para los oídos.** La inobservancia de esta advertencia puede causar el lanzamiento de objetos a los ojos, y por consecuencia posibles lesiones serias.
- **No se pare nunca en la herramienta.** Pueden producirse lesiones serias si se vuelca la herramienta.
- **Nunca toque la hoja** ni ninguna otra pieza en movimiento durante el funcionamiento de la unidad.
- **Verifique todas las configuraciones.** Asegúrese de que la hoja esté ajustada y no haga contacto con la sierra o la pieza de trabajo antes de conectar la sierra a la fuente de alimentación.
- **Si opta por utilizar la sierra en una mesa de trabajo, sujete firmemente o atornille la herramienta a la superficie de trabajo aproximadamente a la altura de la cadera.**
- **Asegúrese de que la sierra para pisos esté bloqueada durante el corte al hilo y que las guías estén bloqueadas en su lugar antes de cortar.**
- **Nunca mueva el ajuste de la pieza de trabajo ni marca a algún ángulo cortante mientras el vio corre y la hoja gira.** Cualquier tropiezo puede tener como resultado el contacto con la hoja que causa lesiones serias.
- **Evite operaciones y posiciones extrañas de las manos** en las cuales un deslizamiento rápido pudiera causar que la mano tocara la hoja. **SIEMPRE** asegúrese de estar en una postura equilibrada.
- **No encienda y apague con rapidez el interruptor.** Esto podría causar el aflojamiento de la hoja de la sierra y el consiguiente peligro. Si esto llegara a ocurrir, aléjese y permita que se detenga completamente la hoja de la sierra. Desconecte la sierra del suministro de corriente y vuelva a apretar firmemente el perno de la hoja.
- **Si cualquier pieza de esta sierra para pisos está faltante,** rota, doblada o funciona mal de cualquier forma, o si cualquier componente eléctrico de la misma no funciona debidamente, apague el interruptor de corriente, retire la batería y llame a un técnico para que reemplace toda pieza dañada, faltante o defectuosa antes de reanudar el trabajo.
- **Siempre apague la sierra** antes de retire la batería para evitar un arranque accidental de la misma al volver a conectarla al suministro de corriente. **NUNCA** deje desatendida la sierra mientras la batería está instalada.
- **Esta herramienta** tendrá los siguientes avisos:
 - Para reducir el riesgo de lesiones, el usuario debe leer el manual del operador.
 - Póngase protección ocular.
 - Mantenga las manos y el cuerpo fuera de la trayectoria de la hoja. Cualquier contacto con la hoja puede producir lesiones serias.
 - Revise la protección para asegurarse de que funciona correctamente.
 - No efectúe a pulso ninguna operación.
 - Nunca intente alcanzar nada alrededor de la hoja de corte.
 - Apague la herramienta y espere a que la hoja de la sierra se detenga antes de mover la pieza de trabajo o cambiar la configuración.
 - Retire la batería antes de cambiar la hoja de corte o de dar servicio a la unidad.
- **Siempre** porte la herramienta por el mango de acarreo.
- **Siempre cerciorese el vio hoja tiene el espacio libre de todas obstrucciones antes girar el vio en.**
- **Utilice una hoja diferente para cada tipo de material que corte, como LVT y pisos de madera.**

ADVERTENCIAS RELACIONADAS CON LA PROTECCIÓN

- **Mantenga los protectores en su lugar.** Los protectores deben funcionar correctamente y colocarse de forma apropiada. Repare o reemplace el protector si está flojo, dañado o no funciona correctamente.
- **Use siempre el protector de la hoja, la cuña de separación y los trinquetes anticontragolpe en todas las operaciones de corte completo.**
- **Asegúrese de que la hoja de la sierra no esté en contacto con el protector, la cuña de separación ni la pieza de trabajo antes de encender la sierra.** El contacto inadvertido de estos elementos con la hoja de la sierra podría ocasionar una situación peligrosa.
- **Ajuste la cuña de separación según se describe en el manual de instrucciones.** El espaciado, el posicionamiento y la alineación incorrectos pueden hacer que la cuña de separación no cumpla con su función de reducir la posibilidad de contragolpes.
- **Para que la cuña de separación y los dispositivos anticontragolpe funcionen, deben hacer contacto con la pieza de trabajo.** La cuña de separación y los dispositivos anticontragolpe son ineficientes al cortar piezas de trabajo demasiado cortas para que hagan contacto con estos elementos. En estas condiciones, estos dos elementos no pueden evitar un contragolpe.
- **Use la hoja de sierra apropiada para la cuña de separación.** Para que la cuña de separación funcione de manera adecuada, el diámetro de la hoja de la sierra debe ajustarse a la cuña de separación apropiada, el cuerpo de la hoja de la sierra debe ser más delgado que el grosor de la cuña de separación y el ancho de corte

ADVERTENCIAS DE SEGURIDAD ADICIONALES

de la hoja de la sierra debe ser mayor que el grosor de la cuña de separación.

PROCEDIMIENTOS DE CORTE ADVERTENCIAS

- **PELIGRO: Nunca coloque los dedos o las manos cerca o en línea con la hoja de la sierra.** Un momento de desatención o un deslizamiento podrían hacer que se le escapen las manos hacia la hoja de la sierra y ocasionar lesiones personales graves.
- **Inserte la pieza de trabajo en la hoja de la sierra en dirección inversa a la rotación.** Si lo hace en la misma dirección de la rotación de la sierra sobre la mesa, la pieza de trabajo y la mano podrían irseles hacia la hoja de la sierra.
- **Al cortar, aplique siempre la fuerza de inserción de la pieza de trabajo entre la guía y la hoja de la sierra. Use un empujador si la distancia entre la guía y la hoja de la sierra es menor de 150 mm, (6 pulg.) y un bloqueador de empuje si la distancia es menor de 50 mm (2 pulg.).** Los dispositivos de “asistencia en el trabajo” mantendrán la mano a una distancia segura con respecto a la hoja de la sierra.
- **Use solo el empujador provisto por el fabricante o uno fabricado según las instrucciones.** El empujador ofrece distancia suficiente entre la mano y la hoja de la sierra.
- **Nunca use un empujador quebrado o dañado.** Un empujador dañado podría romperse y hacer que la mano se le vaya hacia la hoja de la sierra.
- **No realice operaciones “a mano alzada”. Use siempre la guía de corte o el medidor de inglete para colocar y guiar la pieza de trabajo.** “A mano alzada” significa usar las manos para sostener o guiar la pieza de trabajo en lugar de usar la guía de corte o el medidor de inglete. Si realiza operaciones “a mano alzada”, podría ocasionar desalineación, que la hoja se trabe contra el material o contragolpes.
- **Nunca se acerque o acerque las manos a una hoja de sierra en movimiento.** Si lo hace, podría tocar la hoja de la sierra en movimiento de manera accidental.
- **Proporcione apoyo auxiliar para la pieza de trabajo en la parte trasera y los laterales de la mesa de la sierra cuando corte piezas largas o anchas, a fin de mantenerlas niveladas.** Las piezas de trabajo largas o anchas tienden a pivotar con el borde de la mesa, lo que podría hacer perder el control, que la hoja de la sierra se trabe con el material o se origine un contragolpe.
- **Inserte la pieza de trabajo a un ritmo uniforme. No doble ni tuerza la pieza de trabajo. Si se produce un atasco, apague la herramienta de inmediato, desenchufe la sierra y quite el atasco.** Si la pieza de trabajo queda atascada con la hoja de la sierra, podría producirse un contragolpe o detenerse el motor.
- **No retire pedazos de material cortado mientras la sierra esté en funcionamiento.** El material podría quedar

atrapado entre la guía o dentro del protector de la hoja y la hoja de la sierra, y hacer que se le vayan los dedos hacia la hoja de la sierra. Apague la sierra y espere hasta que se detenga la hoja antes de retirar el material.

- **Use una guía auxiliar que esté en contacto con la superficie de la mesa al cortar piezas de trabajo de menos de 2 mm (1/16 pulg.) de grosor.** Una pieza de trabajo delgada podría quedar debajo de la guía de corte y originar un contragolpe.

CAUSAS DE CONTRAGOLPE Y ADVERTENCIAS RELACIONADAS

Contragolpe es una reacción repentina de la pieza de trabajo debido a una hoja atascada o una línea de corte desalineada en la pieza de trabajo con respecto a la hoja de la sierra, o en caso de que una parte de la pieza de trabajo se trabe entre la hoja de la sierra y la guía de corte u otro objeto fijo. En la mayoría de los casos donde se produce un contragolpe, la parte trasera de la hoja hace saltar la pieza de trabajo hacia arriba y en dirección al usuario.

Un contragolpe es resultado del uso inadecuado de la sierra o de condiciones o procedimientos operativos incorrectos, y puede evitarse tomando las precauciones apropiadas, como se indica a continuación.

- **Cuando use la sierra en una mesa de trabajo, colóquese en un ángulo de 45 grados con respecto a la sierra. Coloque siempre el cuerpo del mismo lado de la guía.** El contragolpe podría impulsar la pieza de trabajo a gran velocidad en dirección a cualquier persona que esté parada en frente y en línea con la hoja de la sierra.
- **Nunca se acerque a la hoja de la sierra ni coloque las manos detrás de ella para empujar o sostener la pieza de trabajo.** Podría contactar accidentalmente la hoja de la sierra o un contragolpe podría arrastrarle los dedos hacia la hoja.
- **Nunca sostenga y presione la porción de la pieza de trabajo que está cortando contra la hoja de la sierra en movimiento.** Si presiona la pieza de trabajo que está cortando contra la hoja de la sierra, la hoja podría trabarse con el material y originarse un contragolpe.
- **Alinee la guía para que quede paralela con la hoja de la sierra.** Si la guía está desalineada, la pieza de trabajo quedará atascada contra la hoja de la sierra y se generará un contragolpe.
- **Use una tabla de canto biselado para guiar la pieza de trabajo contra la mesa y la guía al realizar cortes parciales, como cortes de rebajado, ranurado o verticales.** La tabla de canto biselado ayuda a controlar la pieza de trabajo en caso de un contragolpe.
- **Sostenga los paneles grandes para minimizar el riesgo de que la hoja de la sierra quede atorada o se produzcan contragolpes.** Los paneles grandes tienden

ADVERTENCIAS DE SEGURIDAD ADICIONALES

a caerse por el propio peso. Debe colocar soportes en todas las porciones del panel que sobresalgan de la superficie de la mesa.

- **Tenga mayor precaución al cortar una pieza de trabajo torcida, hinchada, deformada o que no tenga un borde recto para guiarlo con un medidor de inglete o a lo largo de la guía.** Una pieza de trabajo en alguna de estas condiciones no ofrece estabilidad y hace que el corte de la sierra quede desalineado con la hoja de la sierra, la hoja se trabe con el material o se origine un contragolpe.
- **Nunca corte más de una pieza de trabajo apilada de manera vertical u horizontal.** La hoja de la sierra podría levantar una o más piezas, y originar un contragolpe.
- **Al volver a encender la sierra con la hoja en la pieza de trabajo, centre la hoja en el corte de la sierra de modo que los dientes de la sierra no queden agarrados del material.** Si la hoja de la sierra se traba con el material, podría levantar la pieza de trabajo y originar un contragolpe al volver a encender la sierra.
- **Mantenga las hojas de la sierra limpias, afiladas y con los dientes en la dirección correcta. Nunca use hojas de sierra retorcidas u hojas con dientes rotos o resquebrajados.** Las hojas de sierra afiladas y con dientes en la dirección correcta minimizan la posibilidad de que se traben con el material o se detengan, o de que se origine un contragolpe.




ADVERTENCIAS SOBRE EL PROCEDIMIENTO DE OPERACIÓN DE LA SIERRA PARA PISOS

- **Apague la sierra para pisos y desconecte el cable de alimentación o retire el paquete de baterías al extraer la placa de la garganta, cambiar la hoja de la sierra o hacer ajustes en la cuña de separación, los trinquetes anticongolpe o el protector de la hoja, además de cuando abandone la mesa.** Las medidas preventivas ayudarán a evitar accidentes.






- **Nunca abandone la sierra para pisos mientras esté funcionando. Apáguela y no abandone la herramienta hasta que se detenga por completo.** Si abandona la sierra en funcionamiento, podría producirse una situación peligrosa.
- **Coloque la sierra para pisos en un área bien iluminada y una superficie nivelada donde usted pueda caminar de forma cómoda y equilibrada. Además, debe colocarla en un lugar que ofrezca espacio suficiente para manipular el tamaño de la pieza de trabajo con facilidad.** Los lugares incómodos y oscuros, y los pisos resbaladizos y desparejos contribuyen a que se originen accidentes.
- **Limpie con frecuencia y quite el aserrín que queda debajo de la mesa de la sierra o el dispositivo de recolección de polvo.** El aserrín acumulado es combustible y podría encenderse solo.
- **Retire las herramientas, los pedacitos de madera y cualquier otro objeto que perturbe en la mesa antes de encender la sierra.** Una distracción o un posible atasco podrían ser peligrosos.
- **Use siempre hojas de sierra con orificios de encastre de un tamaño y una forma apropiados (hojas con diamante en comparación con hojas redondas).** Las hojas de sierra que no se adapten de forma apropiada al sistema de montaje de la sierra se descentrarán, lo que hará perder el control. La capacidad máxima de la hoja de la sierra es de 139,7 mm.
- **Nunca use medios de montaje de hojas de sierra dañados o incorrectos, como bridas, arandelas de hoja de sierra, pernos o tuercas.** Estos medios de montaje se diseñaron específicamente para su sierra a fin de obtener un rendimiento óptimo y seguro.
- **Asegúrese de instalar la hoja de la sierra para que gire en la dirección apropiada. No use discos de esmerilado, cepillos de alambre ni discos abrasivos con la SIERRA para pisos.** La instalación inapropiada de la hoja de la sierra o el uso de accesorios no recomendados podrían ocasionar lesiones graves.

SÍMBOLOS

Las siguientes palabras de señalización y sus significados tienen el objeto de explicar los niveles de riesgo relacionados con este producto.

SÍMBOLO	SEÑAL	SIGNIFICADO
	PELIGRO:	Indica una situación peligrosa, la cual, si no se evita, causará la muerte o lesiones serias.
	ADVERTENCIA:	Indica una situación peligrosa, la cual, si no se evita, podría causar la muerte o lesiones serias.
	PRECAUCIÓN:	Indica una situación peligrosa, la cual, si no se evita, podría causar lesiones menores o leves.
	AVISO:	(Sin el símbolo de alerta de seguridad) Indica la información que se considera importante, pero no relacionada con lesiones potenciales (por ej. en relación a daños a la propiedad).

Es posible que se empleen en esta herramienta algunos de los siguientes símbolos. Le suplicamos estudiarlos y aprender su significado. Una correcta interpretación de estos símbolos le permitirá utilizar mejor y de manera más segura la herramienta.

SÍMBOLO	NOMBRE	DENOMINACIÓN/EXPLICACIÓN
	Alerta de seguridad	Indica un peligro posible de lesiones personales.
	Lea el manual del operador	Para reducir el riesgo de lesiones, el usuario debe leer y comprender el manual del operador antes de usar este producto.
	Protección ocular	Siempre póngase protección ocular con protección lateral con la marca de cumplimiento de la norma ANSI Z87.1.
	Símbolo de no acercar las manos	Si no mantiene las manos alejadas de la hoja de corte, se causará serias lesiones corporales.
	Alerta de condiciones húmedas	No exponga la unidad a la lluvia ni la use en lugares húmedos.
V	Volts	Voltaje
A	Amperes	Corriente
Hz	Hertz	Frecuencia (ciclos por segundo)
min	Minutos	Tiempo
—	Corriente continua	Tipo o característica de corriente
n_0	Velocidad en vacío	Velocidad de rotación, en vacío
.../min	Por minuto	Revoluciones, carreras, velocidad superficial, órbitas, etc., por minuto

GLOSARIO DE TÉRMINOS

Trinquetes anticontragolpe (sierras cortar pisos, radiales y de mesa)

Es un dispositivo, el cual, cuando se instala y da mantenimiento correctamente, sirve para detener la pieza de trabajo para no ser lanzada hacia atrás, hacia la parte frontal la sierra durante una operación de corte al hilo.

Árbol

Es el eje donde se monta una hoja o herramienta de corte.

Corte en bisel

Es una operación de corte efectuada con la hoja a un ángulo diferente de 90° con respecto a la superficie de la mesa.

Corte combinado

Es un corte transversal efectuado a inglete y a bisel.

Corte transversal

Es una operación de corte o fresado efectuada a través de la fibra o ancho de la pieza de trabajo.

Cabeza de corte (cepillos normales y de juntas)

Es una cabeza de corte giratoria con hojas o cuchillas ajustables. Las hojas o cuchillas eliminan material de la pieza de trabajo.

Corte de ranura

Es un corte parcial sin traspaso que produce una muesca, o un canal de lado a lado, de lados a escuadra, en la pieza de trabajo (se requiere una hoja especial).

Peine de sujeción

Es un dispositivo empleado como ayuda para controlar la pieza de trabajo guiándola con seguridad contra la mesa o la guía durante las operaciones de corte al hilo.

PPM o CPM

Pies por minuto (o carreras por minuto), se emplea refiriéndose al movimiento de la hoja.

A pulso

Es efectuar un corte sin guiar la pieza de trabajo con ninguna guía, guía de ingletes ni ningún otro medio.

Goma

Es el residuo pegajoso de savia presente en la madera.

Talón

Es la alineación de la hoja con respecto a la guía de corte al hilo.

Corte

Es la cantidad de material eliminado por la hoja en un corte completo con traspaso, o en una ranura producida por la hoja en un corte sin traspaso o parcial.

Contragolpe

Es un peligro que puede ocurrir cuando la hoja se atora o se atasca, y lanza la pieza de trabajo hacia atrás, en dirección del operador.

Corte a inglete

Es una operación de corte efectuada con la pieza de trabajo a un ángulo diferente de 90° con respecto a la hoja.

Cortes sin traspaso

Es cualquier operación de corte en la cual la hoja de corte no traspasa completamente el espesor de la pieza de trabajo.

Agujero guía (taladradoras de columna)

Es un agujero pequeño taladrado en una pieza de trabajo, el cual sirve como guía para taladrar con precisión agujeros más grandes.

Bloques empujadores (para cepillos de juntas)

Son dispositivos empleados para avanzar la pieza de trabajo por el cepillo de juntas durante cualquier operación. Este medio ayuda al operador a mantener las manos alejadas de la cabeza de corte.

Bloques empujadores (para sierras cortar pisos y mesa)

Son dispositivos empleados para empuje la pieza de trabajo a través de la sierra durante operaciones de corte. Para las operaciones de cortes al hilo angostos debe emplearse un palo empujador. Estos medios ayudan al operador a mantener las manos alejadas de la hoja de corte.

Palos empujadores (para sierras cortar pisos y mesa)

Son dispositivos empleados para empuje la pieza de trabajo a través de la sierra durante operaciones de corte. Estos medios ayudan al operador a mantener las manos alejadas de la hoja de corte.

Reaserrado

Es una operación de corte efectuada para reducir el espesor de la pieza de trabajo para hacer piezas más delgadas.

Resina

Es la sustancia pegajosa a base de savia que se endurece.

Revoluciones por minuto (RPM)

Es el número de vueltas realizadas por un objeto en movimiento de giro en un minuto.

Corte longitudinal o al hilo

Es una operación de corte paralela al largo de la pieza de trabajo.

Cuchilla separadora/abridor/separador (para sierras cortar pisos y mesa)

Es una pieza metálica, levemente más delgada que la hoja, la cual se emplea para mantener abierto el corte y también ayuda a evitar un contragolpe.

Trayectoria de la hoja de la sierra

Es el área encima, abajo, detrás o delante de la hoja. En relación con la pieza de trabajo, es el área que será o ha sido cortada por la hoja.

Triscado

Es la distancia que se ha doblado hacia afuera (que se ha triscado) la punta de los dientes de la hoja de la sierra, a partir de la cara de la hoja.

Redondeo de aristas (cepillos)

Es una depresión hecha en cualquiera de los dos extremos de una pieza de trabajo por las cuchillas de corte cuando no se proporciona un apoyo adecuado a la pieza de trabajo.

Aserrado con traspaso

Es cualquier operación de corte en la cual la hoja de corte traspasa completamente el espesor de la pieza de trabajo.

Lanzamiento

Es el lanzamiento hacia atrás de una pieza de trabajo, y normalmente es causado al dejar caer dicha pieza en la hoja o al hacerla tocar accidentalmente ésta.

Pieza de trabajo o material

Es la pieza a la que se efectúa la operación.

Mesa

Es la superficie sobre la cual descansa la pieza de trabajo mientras se le efectúa una operación de corte, taladrado, cepillado o lijado.

CARACTERÍSTICAS

ESPECIFICACIONES DEL PRODUCTO

Diámetro de la hoja 139,7 mm (5-1/2 pulg.)
Árbol de la hoja de corte 10 mm (3/8 pulg.)
Capacidad de corte al hilo 203 mm (8 pulg.)
Capacidad de inglete 254 mm (10 pulg.) at 45° /
381 mm (15 pulg.) at 0°

Capacidad de corte transversal 254 mm (10 pulg.) /
381 mm (15 pulg.)
Profundidad de corte máxima 19 mm (3/4 pulg.)
Corriente de entrada 18 volts, corr. cont.
Velocidad en vacío 6000/min (RPM)

FAMILIARÍCESE CON LA SIERRA PARA PISOS

Vea la figura 1, página 16.

El uso seguro que este producto requiere la comprensión de la información impresa en la herramienta y en el manual del operador así como ciertos conocimientos sobre el proyecto a realizar. Antes de usar este producto, familiarícese con todas las características de funcionamiento y normas de seguridad.

HOJA DE 139,7 MM (5-1/2 PULG.)

Con la sierra se incluye una hoja de corte de 139,7 mm (5-1/2 pulg.). Corta materiales hasta de 19 mm (3/4 pulg.) de espesor.



ADVERTENCIA:

No utilice hojas con una velocidad nominal inferior a la de esta herramienta. La falta de atención a esta advertencia puede causar lesiones corporales.

TRINQUETES ANTICONTRAGOLPE (PARA USAR CON CORTE AL HILO)

El contragolpe es un peligro en el cual la pieza de trabajo resulta lanzada hacia atrás, en dirección del operador. Los trinquetes anticontragolpe apuntan hacia la dirección opuesta de la pieza de trabajo. En caso de que ésta resulte empujada hacia el operador, entonces los dientes muerden la pieza de trabajo para impedir o reducir la posibilidad de un contragolpe.

PROTECCIÓN DE LA HOJA

Siempre mantenga la protección de la hoja sobre y más ésta al efectuar cortes todas.

PERILLA DE FIJACIÓN DE BISEL

Establezca la distancia de la pieza de trabajo utilizando la perilla de ajuste de la protección de la hoja. El espacio entre la pieza de trabajo y protector de la hoja debe ser fijado entre 1,6 mm - 2,4 mm (1/16 pulg. - 3/32 pulg.).

MANGO DE ACARREO

Para su conveniencia al trasladar o transportar la sierra de un lugar a otro, la sierra dispone de un mango de acarreo en el lado de la sierra.

SACO CAPTAPOLVO / SALIDA DE ESCAPE DE POLVO

La salida de escape de polvo hace posible un corte sin polvo, ya que aleja el polvo del usuario. Se proporciona un saco captapolvo que puede conectar a la salida de escape de polvo;

también puede conectar la salida a un sistema de recolección de polvo o una manguera de aspiradora de taller de 57,2 mm.

PERILLA DE FIJACIÓN DE LA GUÍA

Con el pasador de posicionamiento en su lugar, la perilla de fijación de la guía fija la guía a la mesa en el ángulo de corte deseado.

GUÍA DE INGLETE

La guía de inglete se fija a la mesa de la sierra y se utiliza para cortes rectos o en ángulo. Se almacena en la parte inferior de la mesa de la sierra.

GUÍA DE CORTE AL HILO

La guía de corte al hilo se fija a la mesa y se utiliza para cortes rectos. Se almacena en la parte inferior de la mesa de la sierra.

RANURA DE CORTE AL HILO

La perno de fijación se desplaza por la ranura de corte al hilo de la mesa de la sierra para garantizar la guía en el lugar cuando realizar cortes al hilo.

CUCHILLA SEPARADORA

Es una pieza metálica, levemente más delgada que la hoja de la sierra, la cual se emplea para mantener abierto el corte y evitar así un contragolpe.

NIVEL DE FIJACIÓN DE LA CORREDERA

El nivel de fijación de la corredera traba y destraba la función de deslizamiento de esta herramienta.

BOTÓN DEL SEGURO DEL HUSILLO

El botón del seguro del husillo sirve para asegurar el husillo y impedir el giro de la hoja. Oprima y no suelte el botón del seguro del husillo mientras instala, cambia o desmonta la hoja.

GATILLO DEL INTERRUPTOR

La sierra no funcionará hasta que oprima el palanca del seguro del interruptor y luego oprima el gatillo. Para evitar el uso no autorizado de la sierra para pisos, retire la pila y asegure el interruptor en la posición de apagado. Para asegurar el interruptor, coloque un candado (no viene incluido) a través del agujero del gatillo del interruptor y asegúrese de que el interruptor no pueda ser accionado. Si el interruptor puede ser accionado aun habiendo instalado el candado, se debe usar un candado con un diámetro de grillete mayor. Guarde la llave del candado en otro lugar.

ARMADO

LISTA DE EMPAQUETADO

Veá la figura 2, página 16.

Los siguientes accesorios vienen incluidos con sierra:

Núm.	ref.	Descripción	Cant.
	A	Guía de ingletes/corte transversal.....	1
	B	Perilla de fijación de la guía.....	2
	C	Saco captapolvo	1
	D	Guía de corte al hilo	1
	E	Palos empujadora.....	1
	F	Prensa de trabajo	1
	G	Llave combinación	1
	H	Espaciador del árbol adicional de 5/8 pulg.	1
		Manual del operador (no se ilustra).....	1

DESEMPAQUETADO

Este producto se ha enviado completamente ensamblado.

- Levante cuidadosamente de la caja la sierra y colóquela sobre una superficie de trabajo a nivel.

ADVERTENCIA:

No use este producto si no está totalmente ensamblado o si alguna pieza falta o está dañada. El uso de un producto que no está adecuadamente y completamente ensamblado o posee partes dañadas o faltantes puede resultar en lesiones personales graves.

- Inspeccione cuidadosamente la herramienta para asegurarse de que no haya sufrido ninguna rotura o daño durante el transporte.
- No deseche el material de empaquetado sin haber inspeccionado cuidadosamente este producto y haberla utilizado satisfactoriamente.
- La sierra viene ajustada desde la fábrica para realizar cortes exactos. Después de armarla verifique la exactitud de la misma. Si en el envío resultaron afectados los ajustes, llegar al centro de servicio autorizado.
- Si hay piezas dañadas o faltantes, le suplicamos llamar al 1-800-525-2579, donde le brindaremos asistencia.

ADVERTENCIA:

Si hay piezas dañadas o faltantes, no utilice esta producto sin haber reemplazado todas las piezas. Usar este producto con partes dañadas o faltantes puede causar lesiones serias al operador.

ADVERTENCIA:

No intente modificar esta producto ni hacer accesorios no recomendados para la misma. Cualquier alteración o modificación constituye maltrato el cual puede causar una condición peligrosa, y como consecuencia posibles lesiones corporales serias.

ADVERTENCIA:

Quando use la sierra en una mesa de trabajo, colóquese en un ángulo de 45 grados con respecto a la sierra. No ni acerque las manos a menos de 100 mm (4 pulg) de la hoja. La falta de atención a esta advertencia puede redundar en lesiones graves.

ADVERTENCIA:

La sierra viene con ambas guías instaladas en la mesa de la sierra; sin embargo, al usar la sierra, solo se puede usar una guía a la vez. No use ambas guías al mismo tiempo.

AGUJEROS DE MONTAJE

Veá la figura 3, página 17.

La sierra se puede montar en una superficie de apoyo firme, como una mesa de trabajo o tablas de montaje, si se desea. La base de la sierra tiene cuatro orificios de montaje para este propósito. Marque los orificios de montaje en la superficie de montaje como se muestra en la imagen. Asegure con pernos y arandelas (no vienen incluidos). Los pernos deben ser la suficiente longitud para dar acomodo a la base de la sierra, las arandelas, y el espesor del banco de trabajo o tabla de montaje. Apriete firmemente los pernos.

Revise cuidadosamente el banco de trabajo después de montar la unidad para asegurarse de que no ocurra ningún durante el uso de la misma. Si el banco de trabajo se inclina, desliza o camina, asegúrelo al piso antes de utilizar la unidad.

PARA INSTALAR LA PRENSA DE TRABAJO

Veá la figura 4, página 17.

ADVERTENCIA:

En algunas operaciones el conjunto de la prensa de trabajo puede interferir en el movimiento del conjunto de protección de la hoja. Siempre asegúrese de que no haya interferencia en el movimiento de la protección de la hoja antes de comenzar cualquier operación de corte, para reducir el riesgo de lesiones corporales serias.

La prensa de trabajo ofrece mayor control al prensar la pieza de trabajo contra la guía o contra la mesa de la sierra. También evita que la pieza de trabajo avance hacia la hoja de la sierra. Esto es muy útil al efectuar cortes a inglete combinados. Según sea la operación de corte y el tamaño de la pieza de trabajo, puede ser necesario usar una prensa de mano (en forma de "C") u otra abrazadera adecuada en lugar de la prensa de trabajo para asegurar la pieza antes de efectuar el corte.

Para instalar la prensa de trabajo:

- Retire la pila.
- Alinee el vástago de la prensa de trabajo con el orificio correspondiente ubicado al final de la mesa de la sierra. La prensa solo puede instalarse en una posición.
- Gire la perilla de la prensa de trabajo para moverla hacia arriba o abajo según sea necesario para asegurar la pieza de trabajo.

Para usar la prensa de trabajo:

- Con guía montado en la sierra para pisos (ver instrucciones abajo), coloque la pieza de trabajo firmemente contra la guía.
- Gire la perilla de la prensa de trabajo para subirla o bajarla, según sea necesario. No apriete demasiado.

- Utilice la perilla de ajuste para ajustar la longitud o la rotación de la prensa.

PARA INSTALAR LA GUÍA PARA CORTES INGLETE / TRANSVERSAL

Veá las figuras 5 - 6, página 17.

- Retire la pila.
- Retire la perilla de fijación de la guía del riel deslizable.
- Instale la guía.
- Coloque la perilla de fijación de la guía en la ranura de inglete y el pasador de posicionamiento (debajo del centro de la guía) en el orificio de anclaje.
- Deslice la perilla de sujeción de largo de la ranura de inglete hasta alcanzar el ángulo deseado.
- Inserte la prensa de trabajo en el orificio de la guía de inglete y el orificio de la mesa. No ajuste la perilla de la prensa.
- Ajuste la perilla de fijación de la guía para asegurar la guía de inglete.
- Ajuste la perilla de la prensa firmemente a la pieza de trabajo.

PARA INSTALAR LA GUÍA PARA CORTES AL HILO

Veá la figura 7, página 18.

- Retire la pila.
- Retire la perilla de fijación de la guía y la arandela del riel deslizable.
- Con la guía en paralelo a la mesa de la sierra, coloque el pasador de guía en la ranura derecha de la mesa de la sierra y el lado izquierdo de la guía en la ranura izquierda de la mesa de la sierra.
- Deslice la grampa de ajuste de largo de la ranura corte al hilo hasta llegar a la distancia deseada para el corte.
- Coloque la perilla de fijación de la guía en el orificio correspondiente de la mesa de la sierra.
- Uso de la escala en la mesa de la sierra, compruebe que la izquierda ya la derecha de la guía están a la misma distancia de la hoja de modo que el muro se eleva al cuadrado de la hoja.
- Ajuste la perilla de fijación de la guía y la arandela para asegurar la guía de inglete.
- Ajuste la perilla de la prensa firmemente a la pieza de trabajo.

FUNCIONAMIENTO

PARA UTILIZAR EL SACO CAPTAPOLVO

Vea la figura 8, página 18.

- Retire la pila.
- Deslice de saco captapolvo en el abertura de salida de aserrín.

ADVERTENCIA:

El polvo recolectado durante de capas de acabado como poliuretano, aceite de linaza, etc., puede inflamarse por sí solo en el saco captapolvo o en otra parte, y puede causar un incendio. Para reducir el riesgo de incendio siempre vacíe con frecuencia el saco captapolvo (cada 10 ó 15 minutos) mientras y nunca guarde ni deje la herramienta sin haber vaciado completamente el saco captapolvo. También siga las recomendaciones de los fabricantes de acabados.

PARA UTILIZAR CON ASPIRADORA O SISTEMA DE RECOLECCIÓN DE POLVO

Es posible conectar fácilmente de la aspiradora en la sierra.

Para la conexión:

- Retire la pila.
- Retire el saco captapolvo de la sierra.
- Acople la manguera de la aspiradora en la abertura de salida del polvo.

ADVERTENCIA:

Cuando no esté conectada una aspiradora, siempre instale el saco captapolvo en la sierra. La inobservancia de esta advertencia puede causar el aserrín u objetos extraños a la cara o a los ojos, con las consiguientes posibles lesiones serias.

ADVERTENCIA:

No permita que su familiarización con las herramientas lo vuelva descuidado. Tenga presente que un descuido de un instante es suficiente para causar una lesión grave.

ADVERTENCIA:

Siempre póngase protección ocular con la marca de cumplimiento de la norma ANSI Z87.1. Si no cumple esta advertencia, los objetos que salen despedidos pueden producirle lesiones serias en los ojos.

ADVERTENCIA:

No utilice ningún aditamento o accesorio no recomendado por el fabricante de esta herramienta. El empleo de aditamentos o accesorios no recomendados podría causar lesiones serias.

APLICACIONES

Este producto ha sido diseñado sólo para los fines enumerados abajo:

- Corte de material laminado, dirigido, LVT y sólido, pisos de madera hasta de 19 mm (3/4 pulg.) de espesor.

ADVERTENCIA:

NUNCA marca a algún ángulo cortante mientras el vio corre y la hoja gira. Cualquier tropiezo puede tener como resultado el contacto con la hoja que causa lesiones serias.

INSTALACIÓN/EXTRACCIÓN DEL PAQUETE DE BATERÍA

Vea la figura 9, página 18.

- Inserte el paquete de baterías en el producto como se muestra en la imagen.
- Asegúrese de que los pestillos situados a ambos lados del paquete de baterías entren completamente en su lugar con un chasquido y de que el paquete quede bien asegurado en la herramienta antes de comenzar a utilizarla.

ADVERTENCIA:

Siempre retire el paquete de baterías de la herramienta cuando esté ensamblando partes, realizando ajustes, limpiando o cuando ésta no esté en uso. Retirando el paquete de pilas se evita arrancar accidentalmente la unidad, lo cual puede causar lesiones serias.

- Presione los pestillos para quitar el paquete de baterías. Para ver las instrucciones de carga completas, consulte los manuales del operador de su paquete de baterías y cargador.

FORMA DE EVITAR CONTRAGOLPES

- Inspeccione la pieza de trabajo para ver si contiene nudos o clavos antes de empezar a cortar. Desaloje todo nudo suelto con un martillo. Nunca corte nudos sueltos ni clavos.
- Siempre utilice la guía para efectuar cortes de este tipo. Esto ayuda a evitar el giro de la madera durante el corte.
- Siempre utilice hojas limpias, afiladas y triscadas correctamente. Nunca efectúe cortes con hojas sin filo.

FUNCIONAMIENTO

- Para evitar pellizcar la hoja, apoye adecuadamente la pieza de trabajo antes de iniciar un corte.
- Aplique una presión estable y uniforme al efectuar el corte. Nunca efectúe cortes forzados.
- No corte madera combada o húmeda.
- Utilice precaución adicional al cortar algún prefinished o productos de madera de composición como los trinquetes anticontrgolpe confidencial no siempre pueden ser efectivos.
- Siempre indique la pieza de trabajo con ambas manos o con palos empujadoras y/o bloques empujadores. Mantenga el cuerpo en una posición equilibrada para estar preparado para resistir un contragolpe si llega a ocurrir. Nunca se pare en línea frente a la hoja.
- Limpie el sierra, protección de la hoja, bajo el placa de la garanta, y bajo cualquier área donde sierra o pieza de trabajo o aserrín puede reunir
- Utilice el tipo correcto de hoja para el corte por efectuar.
- Siempre utilice el cuchilla separadora para cada operación donde lo es permitido. El uso de este dispositivo reducirá mucho el riesgo de contragolpes.

ENCENDIDO Y APAGADO DE LA SIERRA

Vea la figura 10, página 18.

Para arrancar la sierra:

- Oprima el botón del seguro de apagado.
- Oprima el gatillo del interruptor.

Siempre permita que la hoja alcance su velocidad máxima, y hasta después introdúzcala en la pieza de trabajo.

- Para hacer cortes al hilo, active la función de seguro de encendido presionando el botón de seguro de encendido y el gatillo interruptor. Mantenga presionado el botón de seguro de encendido ubicado en el costado del mango y luego suelte el gatillo interruptor.

ADVERTENCIA:

Si la hoja toca la pieza de trabajo antes de alcanzar la velocidad máxima, podría causar un contragolpe de la sierra hacia usted y podría producirle lesiones graves.

Para apagar la sierra: Suelte el gatillo del interruptor.

Después de soltar el gatillo del interruptor permita que se detenga completamente la hoja de corte. **No retire la sierra de la pieza de trabajo mientras continúe en movimiento la hoja.**

Para bloquear la sierra:

Instale un candado (no se incluye) en el orificio en el gatillo interruptor y asegúrese de que el interruptor no pueda accionarse. Si el interruptor puede accionarse con el candado instalado, debe usar un candado con un diámetro de grillete mayor. Guarde la llave del candado en otro lugar.

PARA LEVANTE Y BAJE TRINQUETES ANTICONTRAGOLPE

Vea la figura 11, página 18.

Los trinquetes anticontrgolpe son de resorte y muy fuerte. Utilice un solo dedo para levante o bajar estos trinquetes mientras guardado con cuidado todas las partes del cuerpo lejos de los puntos fuertes de los trinquetes.

- Gire la perilla de liberación anticontrgolpe hacia la izquierda para aflojarla.
- Desde detrás de la sierra, coloque un dedo debajo de los trinquetes anticontrgolpe.
- Suba o baje los trinquetes anticontrgolpe para ajustar la altura según el grosor del material que desee cortar
- Gire la perilla de liberación anticontrgolpe hacia la derecha para ajustarla.
- Al realizar cortes transversales, levante los trinquetes anticontrgolpe con la perilla para asegurarse de que no haya interferencia con la pieza de trabajo durante la operación.

FORMA DE EFECTUAR CORTES

Su sierra puede realizar una variedad de cortes que no es mencionado todo en este manual. NO procure hacer ningún corte no cubrió aquí a menos que usted esté completamente familiarizado con los procedimientos apropiados y accesorios necesarios. Su biblioteca local tiene muchos libros en la sierra vieron uso y procedimientos especializados de carpintería para su referencia.

La hoja suministrada con la sierra es una hoja combinada de alta calidad adecuada para operaciones de corte al hilo y transversal. Verifique cuidadosamente todos los ajustes y gire la hoja una vuelta completa para asegurarse de que haya espacio libre adecuado antes de conectar la sierra al suministro de corriente.

ADVERTENCIA:

Asegúrese de usar únicamente hojas con velocidad nominal mínima inferior a la de esta herramienta. La inobservancia de esta advertencia puede causar lesiones serias.

ADVERTENCIA:

Siempre mantenga las manos y el cuerpo fuera de la trayectoria de la hoja. La inobservancia de esta advertencia puede causar lesiones serias.

PARA REALIZAR CORTES TRANSVERSALES

Vea la figura 12, página 18.

Los cortes transversales se efectúan cortando a través de la ancho de la pieza de trabajo.

- Retire la pila.
- Retire la prensa de trabajo del área de almacenamiento debajo de la mesa de la sierra.

FUNCIONAMIENTO

- Instale la prensa de trabajo en la guía (consulte **Para instalar la prensa de trabajo** anteriormente en este manual).
- Coloque la guía de ingletes en la posición de corte transversal (consulte **Para instalar la guía a fin de hacer cortes a inglete/transversales** anteriormente en este manual) y fijado en 0°. Apriete la perilla de sujeción de firmemente.
- Baje la palanca de bloqueo de deslizamiento y empuje la sierra hacia la parte posterior de la sierra para pisos.
- Coloque la pieza de trabajo horizontal en la mesa de sierra, con un canto firmemente apoyado contra la guía.
- Alinee la línea de corte de la pieza de trabajo con el borde de la hoja de la sierra. Use la prensa de trabajo para asegurar la pieza de trabajo. No apriete demasiado.
- Inserte la batería en la sierra.
- Desactive los trinquetes anticontraGolpe.
- Asegúrese de que la madera está lejos de la hoja antes de encender la sierra.
NOTA: Levante los trinquetes anticontraGolpe cuando realice cortes transversales o cortes a inglete.
- Baje los trinquetes anticontraGolpe (consulte **Para subir y bajar los trinquetes anticontraGolpe** anteriormente en este manual).
- Sujete firmemente el mango de la sierra. Oprima la palanca del seguro del gatillo y luego oprima el gatillo.
- Deje transcurrir varios segundos para que la hoja alcance su velocidad máxima antes de mover la pieza de trabajo a la hoja.
- Empuje lentamente la hoja contra la pieza de trabajo.
- Cuando termine el corte, suelte el gatillo del interruptor. Espere a que la hoja se detenga por completo antes de retirar la pieza de trabajo.

PARA EFECTUAR CORTES A INGLETE

Vea la figura 13, página 19.

Los cortes de inglete se efectúan con la guía puesta en un ángulo diferente de 0°.

- Retire la pila.
- Retire la prensa de trabajo del área de almacenamiento debajo de la mesa de la sierra.
- Instale la prensa de trabajo en la guía (consulte **Para instalar la prensa de trabajo** anteriormente en este manual).
- Coloque la guía en la posición de corte a inglete (consulte **Para instalar la guía a fin de hacer cortes a inglete/transversales** anteriormente en este manual) y la guía al ángulo deseado. Apriete la perilla de sujeción de firmemente.
- Baje la palanca de bloqueo de deslizamiento y extraiga el pasador de fijación y empuje la sierra hacia la parte posterior de la sierra para pisos.

- Coloque la pieza de trabajo horizontal en la mesa de sierra, con un canto firmemente apoyado contra la guía.
- Alinee la línea de corte de la pieza de trabajo con el borde de la hoja de la sierra. Use la prensa de trabajo para asegurar la pieza de trabajo. No apriete demasiado.
- Inserte la batería en la sierra
- Desactive los trinquetes anticontraGolpe.
- Asegúrese de que la madera está lejos de la hoja antes de encender la sierra.
NOTA: Levante los trinquetes anticontraGolpe cuando realice cortes transversales o cortes a inglete.
- Baje los trinquetes anticontraGolpe (consulte **Para subir y bajar los trinquetes anticontraGolpe** anteriormente en este manual).
- Sujete firmemente el mango de la sierra. Oprima la palanca del seguro del gatillo y luego oprima el gatillo.
- Deje transcurrir varios segundos para que la hoja alcance su velocidad máxima antes de mover la pieza de trabajo a la hoja.
- Baje levante la hoja de la sierra haciendo que se introduzca y traspase la pieza de trabajo.
- Empuje lentamente la hoja contra la pieza de trabajo.
- Cuando termine el corte, suelte el gatillo del interruptor. Espere a que la hoja se detenga por completo antes de retirar la pieza de trabajo.

PARA HACER CORTES AL HILO

Vea las figuras 14 - 15, página 19.



ADVERTENCIA:

Riesgo de laceración. Utilice únicamente la función de seguro de encendido de la sierra cuando realice cortes al hilo. El uso de esta función de cualquier otro modo de corte puede provocar lesiones personales graves.

Los cortes al hilo se hacen con la sierra bloqueada en su lugar. Si la guía no está bien cuadrado de la hoja, los bordes de la pieza de trabajo puede manchar o quemar.

- Retire la pila.
- Retire la guía del área de almacenamiento debajo de la mesa de la sierra.
- Coloque la guía de corte al hilo en la posición de corte a inglete (consulte **Para instalar la guía a fin de hacer cortes al hilo** anteriormente en este manual) a distancia deseada de la hoja para el corte. Apriete la perilla de sujeción de firmemente.
- Baje la palanca de bloqueo de deslizamiento y empuje o tire de la sierra del riel deslizante hasta que el pasador de fijación y uno de los dos orificios del riel estén alineados.
- Levante la palanca de bloqueo de deslizamiento para bloquear la sierra al riel.
- Asegúrese de que la guía esté paralela a la hoja midiendo desde la guía hasta la parte delantera y trasera de la hoja para asegurarse de que las distancias sean iguales.

FUNCIONAMIENTO

- Inserte la batería en la sierra.
- Active la función de seguro de encendido.
- Asegúrese de que la madera está lejos de la hoja antes de encender la sierra.
- Encienda la sierra presionando la palanca de seguro del gatillo y apretando el gatillo interruptor.

NOTA: This saw is equipped with a lock-on feature to be used only for continuous rip cutting or for extended periods of time. To engage the lock-on feature, depress the lock-on button and switch trigger. Push in and hold the lock-on button located on the side of the handle, then release the switch trigger. Release the lock-on button and the saw will continue to run. To release the lock-on feature, depress the switch trigger and release.

- Coloque la pieza de trabajo horizontal en la mesa de sierra, con un borde firme contra la guía.
- Alinee la línea de corte de la pieza de trabajo con el indicador.
- Deje transcurrir varios segundos para que la hoja alcance su velocidad máxima antes de mover la pieza de trabajo a la hoja.
- Con el incluido empujadora avance lentamente la pieza de trabajo hacia la hoja. Párese a un lado de la madera conforme toca la hoja para reducir la posibilidad de lesiones si ocurre un contragolpe.
- Al cortar al hilo una pieza de trabajo larga, coloque un soporte de la misma altura que la superficie de la mesa delante y detrás de la sierra para sostener la pieza de trabajo.
- Una vez que la hoja se haya puesto en contacto con la pieza de trabajo, use la mano más próxima a la guía para conducirlo. Asegúrese de que el borde de la pieza de trabajo permanece en contacto sólido con la guía y tanto la superficie de la mesa. Utilice una palos empujadora y / o bloques empujadores para mover la pieza a través del corte y que pase la hoja.
- Cuando termine el corte, desactive el gatillo del interruptor. Espere a que la hoja se detenga por completo antes de retirar la pieza de trabajo.

PARA GUARDAR EL ACCESORIOS

Vea la figura 16, página 19.

La sierra tiene un área de almacenamiento cómodo diseñado específicamente para la palos empujadora, guía de corte al hilo, guía de inglete y las llaves de hoja de la herramienta (en la parte posterior de la mesa de la sierra).

Para guardar la paloos empujadora:

- Con la batería extraída, incline la mesa de la sierra hacia atrás.
- Coloque los agujeros grandes en el palo empujador sobre los tornillos.
- Deslice el palo empujador hacia la izquierda para asegurarlo en los tornillos.

Para almacenar la guía de corte al hilo y la guía de inglete:

- Con la batería extraída, incline la mesa de la sierra hacia atrás.
- Con los pasadores de posicionamiento hacia afuera, deslice ambos extremos de cada guía en las ranuras de goma de la parte inferior de la sierra.

Para guardar la llave de la hoja:

- Con la batería extraída, la inclinación de la mesa de la sierra hacia atrás.
- Empuje la llaves de la hoja en la ranura de almacenamiento en la parte posterior de la mesa de la sierra.

PARA MOVER LA SIERRA

Vea la figura 17, página 20.

Al transportar la sierra, bloquee siempre la sierra para evitar que el brazo de la sierra se mueva en los rieles de deslizamiento.

- Retire la pila.
- Empuje o tire de la sierra en los rieles deslizantes hasta que el pasador de fijación y el agujero en el riel de alinearse.
- Levante la palanca de bloqueo de deslizamiento para bloquear la sierra en su lugar.
- Levante la sierra por el mango de acarreo para el transporte.

MANTENIMIENTO

ADVERTENCIA:

Al dar servicio a la unidad, sólo utilice piezas de repuesto idénticas. El empleo de piezas diferentes puede causar un peligro o dañar el producto.

ADVERTENCIA:

Siempre póngase protección ocular con la marca de cumplimiento de la norma ANSI Z87.1. Si la operación genera mucho polvo, también póngase una mascarilla contra el polvo.

ADVERTENCIA:

Antes de efectuar cualquier mantenimiento, asegúrese de que el paquete de baterías se extrae de la herramienta. El incumplimiento de esta advertencia puede causar una lesión personal grave.

MANTENIMIENTO GENERAL

Evite el empleo de solventes al limpiar piezas de plástico. La mayor parte de los plásticos son susceptibles a diferentes tipos de solventes comerciales y pueden dañarse. Utilice paños limpios para eliminar la suciedad, polvo, aceite, grasa, etc.

ADVERTENCIA:

No permita en ningún momento que líquido para frenos, gasolina, productos a base de petróleo, aceites penetrantes, etc., lleguen a tocar las piezas de plástico. Las sustancias químicas pueden dañar, debilitar o destruir el plástico, lo cual a su vez puede producir lesiones corporales graves.

- Revise periódicamente el apriete y el estado físico de todas las mordazas, tuercas, pernos y tornillos. Asegúrese de que esté en buen estado y en su posición la placa de la garganta.
- Revise el sistema protector de la hoja.
- Limpie las guía y rieles con un limpiador de goma y resina.
- **Limpie las piezas de plástico solamente con un paño suave húmedo. NO** use ningún solvente en aerosol o a base de petróleo.

LUBRICACIÓN

Todos los cojinetes de esta herramienta están lubricados con suficiente cantidad de aceite de alta calidad para toda la vida útil de la unidad en condiciones normales de funcionamiento. Algunas áreas requieren lubricación ocasional. Usted deberá aplicar:

- Aceite ligero o aceite pulverizado sobre el rieles deslizante.

PARA REEMPLAZAR LA HOJA

Veá las figuras 18 - 19, página 20.

ADVERTENCIA:

La sierra tiene capacidad para hojas hasta de un diámetro de 139,7 mm (5-1/2 pulg). Las hojas más grandes entrarán en contacto con el protector de la hoja, mientras que las hojas más gruesas podrían no permitir que la cuchilla separadora reduzca eficazmente el riesgo de un contragolpe. Cualquiera de estas dos situaciones puede producir un accidente serio, con las consiguientes lesiones corporales serias.

- Retire la pila.
- Afloje los tornillos de la compuerta de protección de la hoja.
- Abra la compuerta de protección de la hoja para exponer el perno de la hoja.
- Oprima el botón del seguro del husillo y gire el perno de la hoja hasta inmovilizar el husillo.
- Con la llave de hoja suministrada de la hoja afloje el perno de la misma y retírelo.

NOTA: El perno tiene rosca izquierdo. Gire sentido horario el perno de la hoja para aflojarlo.

- Retire la arandela exterior de la hoja. **No** retire la arandela interior de la hoja.

ADVERTENCIA:

Si la arandela interior de la hoja ha sido retirada, vuelva a colocarla antes de instalar la hoja en el sierra. Si no lo hace podría producirse un accidente ya que la hoja no se apretaría correctamente.

- Acomode la hoja de la sierra dentro de la protección, y móntela en el husillo. Los dientes de la sierra apuntan hacia arriba en la parte delantera de la sierra, como se muestra.
- **NOTA:** Entalla de corte deberá ser de un mínimo de 2,4 mm (3/32 pulg.).
- Retire la arandela exterior de la hoja. Las dos partes planas en "D" de la hoja se alinean con las partes planas del husillo.
- Oprima el botón del seguro del husillo y vuelva a colocar el perno de la hoja.

PRECAUCIÓN:

Siempre instale la hoja con los dientes de la misma y la flecha impresa en el costado de la hoja apuntando hacia arriba en la parte frontal de la sierra.

- Apriete firmemente el perno de la hoja.
- **NOTA:** El perno tiene rosca izquierdo. Gire hacia la izquierdo el perno de la hoja para apretarlo.

MANTENIMIENTO

- Cierre la compuerta del perno de la hoja y ajuste bien los tornillos.

EXTRACCIÓN / REEMPLAZO DE LA PLACA DE GARGANTA

Vea la figura 20, página 20.

ADVERTENCIA:

La placa de la garganta debe estar a debajo de la mesa de la sierra. Si la placa de la garganta está demasiado alta o demasiado baja, la pieza de trabajo puede engancharse en los bordes desiguales y resultar en atoramientos, lo cual podría causar lesiones corporales serias.

Nunca utilice la sierra sin la placa de garganta instalada.

Extracción / reemplazo:

- Retire la pila.
- Retirer los tornillos que sujetan de la placa de garganta.
- Levante de la placa de garganta para de la sierra. Repita los pasos anteriores para la instalación de la placa de garganta del lado izquierdo.
- Para volver a instalar la placa de la garganta, alinee los orificios de la misma con los de la base de la sierra.

- Vuelva a apretar los tornillos, teniendo cuidado de no hacerlo excesivamente, lo cual podría combar o doblar la placa de garganta.

PARA AJUSTAR EL RODILLO INFERIOR

Vea la figura 21, página 21.

- Afloje ambas tuercas del rodillo inferior.
- Mueva el perno que asegura el rodillo hacia adentro o hacia afuera para ajustar la sierra hasta que esté en escuadra con la mesa de la sierra.

PARA AJUSTAR EL RIEL DESLIZABLE

Vea la figura 22, página 21.

El riel deslizable debe recorrer toda la longitud del conjunto de la sierra y ser perpendicular a las guías.

- Utilice las dos ranuras ovaladas en la parte inferior de los soportes de riel ubicadas debajo de la sierra para ajustar el riel deslizable de modo que quede en escuadra con las guías.
- Utilice una escuadra para alinear la hoja con la guía de inglete/corte transversal en un ángulo de 90°.

ACCESORIOS

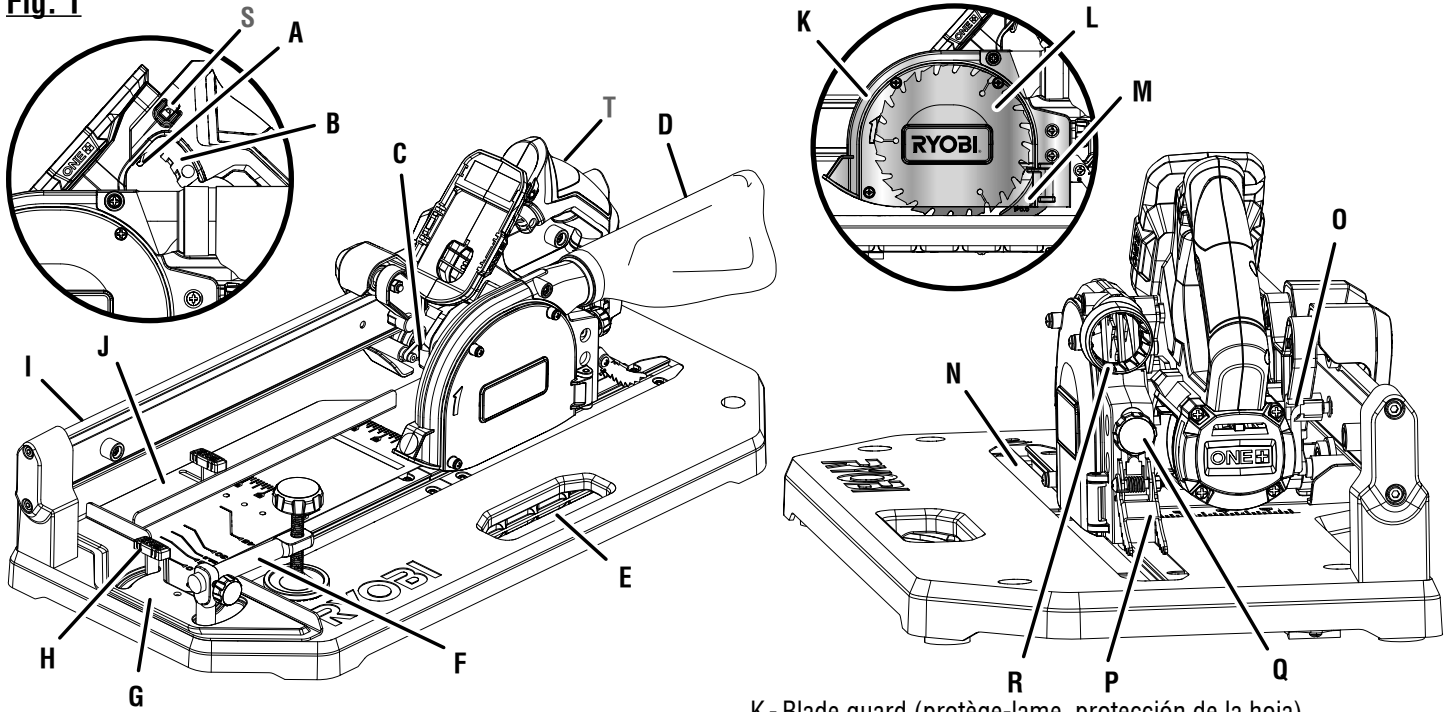
Los siguientes accesorios recomendados se encuentran en las tiendas al menudeo:

Hoja de la sierra 089230100053

ADVERTENCIA:

Arriba se señalan los aditamentos y accesorios disponibles para usarse con esta herramienta. No utilice ningún aditamento o accesorio no recomendado por el fabricante de esta herramienta. El empleo de aditamentos o accesorios no recomendados puede causar lesiones serias.

Fig. 1

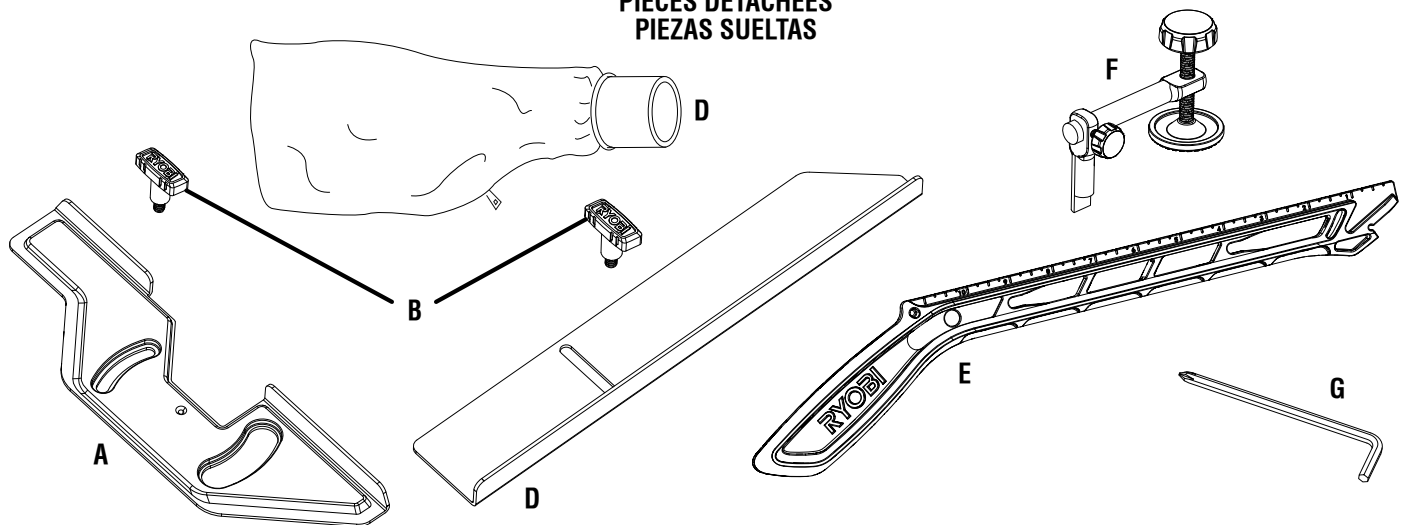


- A - Lock-out lever (levier de verrouillage, palanca del seguro)
- B - Switch trigger (gâchette de commutateur, gatillo del interruptor)
- C - Spindle lock button (bouton de verrouillage de broche, botón del seguro del husillo)
- D - Dust bag (sac à sciure, saco captapolvo)
- E - Carrying handle (poignée de transport, mango de acarreo)
- F - Work clamp (bride de serrage de pièce, prensa de trabajo)
- G - Miter/cross cut fence (guide onglet/coupe transversale, guía de ingletes/corte transversal)
- H - Fence lock knob (bouton de verrouillage du guide, perilla de fijación de la guía)
- I - Slide rail (barre coulissante, riele deslizable)
- J - Rip cut fence (guide à coupe longitudinale, guía de corte al hilo)

- K - Blade guard (protège-lame, protección de la hoja)
- L - 5-1/2 in. blade [lame 139,7 mm (5-1/2 po, hoja de 139,7 mm (5-1/2 pulg.)]
- M - Riving knife (couteau diviseur, cuchilla separador)
- N - Throat plate (plaque à gorge, placa de la garanta)
- O - Lock pin (goupille de verrouillage, pasador de fijación)
- P - Anti-kickback pawls (griffes antirebond, trinquets anticontragolpe)
- Q - Release knob (bouton de dégagement, perilla de afloje)
- R - Dust exhaust port (orifice d'évacuation de la poussière, abertura de salida de aserrín)
- S - Lock-on button (bouton de verrouillage, botón de seguro de encendido)
- T - Handle (poignée, mango)

Fig. 2

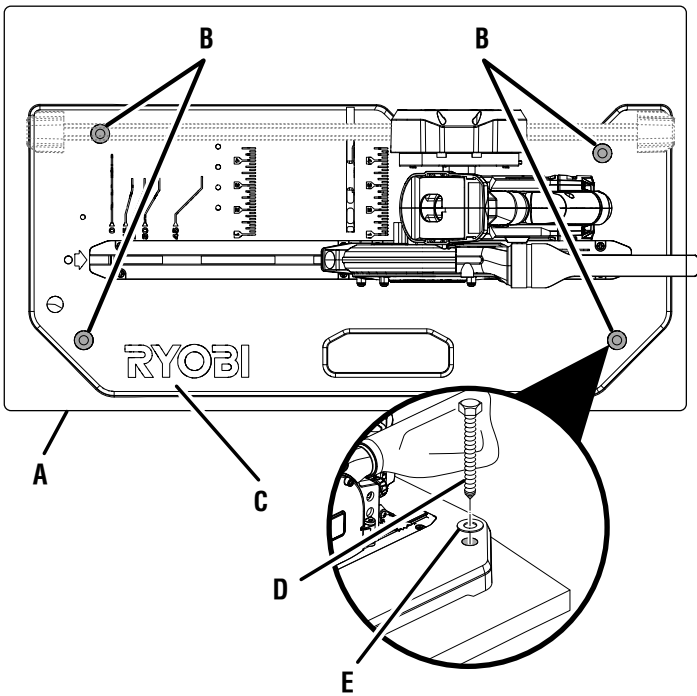
**LOOSE PARTS
PIÈCES DÉTACHÉES
PIEZAS SUELTAS**



- A - Miter/cross cut fence (guide onglet/coupe transversale, guía de ingletes/corte transversal)
- B - Fence lock knob (bouton de verrouillage du guide, perilla de fijación de la guía)
- C - Dust bag (sac à sciure, saco captapolvo)

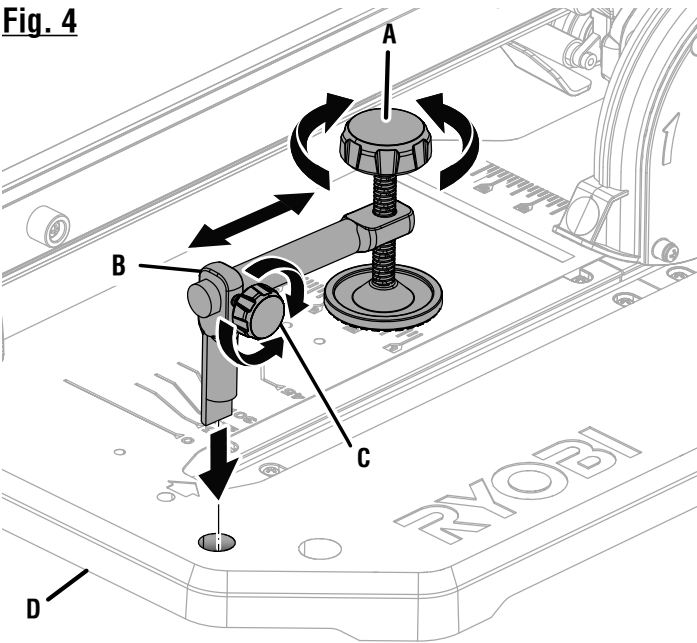
- D - Rip cut fence (guide à coupe longitudinale, guía de corte al hilo)
- E - Push stick (bâton poussoir, palos empujadora)
- F - Work clamp (bride de serrage de pièce, prensa de trabajo)
- G - Combination wrench (clé mixte, llave combinación)

Fig. 3



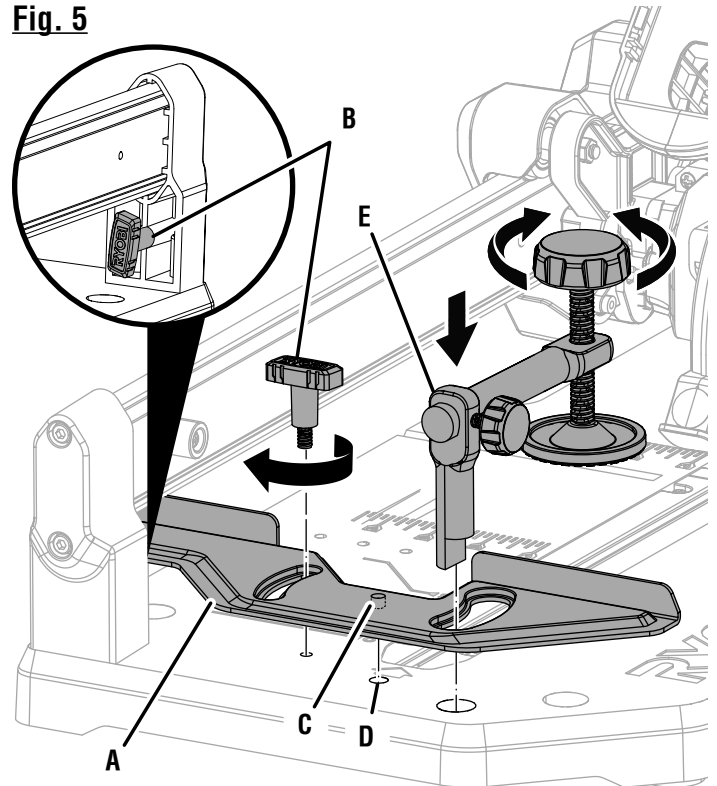
- A - Mounting surface (surface de montage, superficie de montaje)
- B - Mounting holes (trous de montage, orificios de montaje)
- C - Saw base (base de la scie, base de la sierra)
- D - Bolt (not included) [boulon (non inclus), perno (no incluido)]
- E - Washer (not included) [rondelle (non inclus), arandela (no incluido)]

Fig. 4



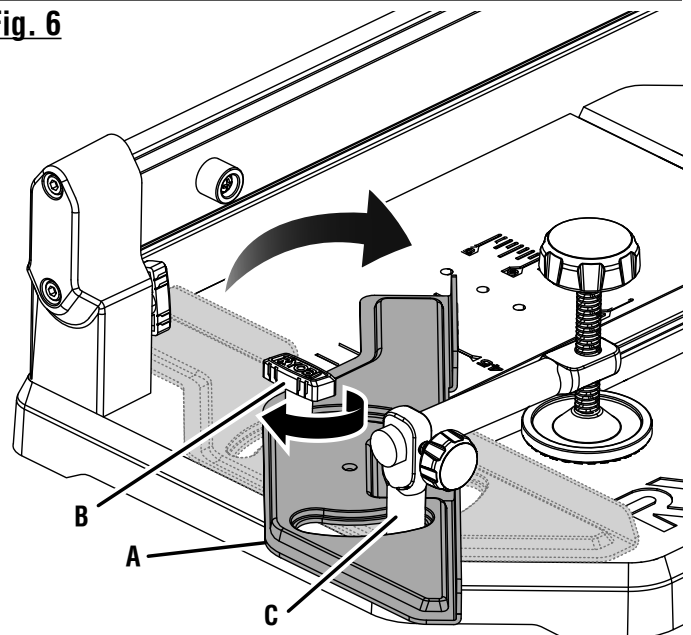
- A - Clamp knob (bouton de serrage, perilla de sujeción)
- B - Work clamp (bride de serrage de pièce, prensa de trabajo)
- C - Adjustment knob (bouton de réglage, perilla de ajuste)
- D - Saw base (base de la scie, base de la sierra)

Fig. 5



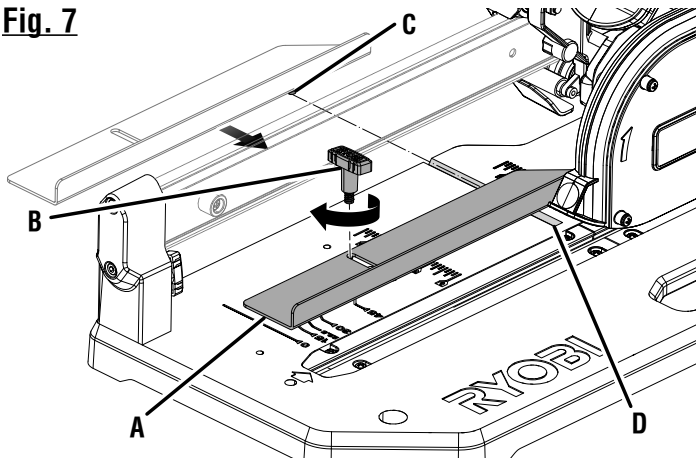
- A - Miter/cross cut fence (guide onglet/coupe transversale, guía de ingletes/corte transversal)
- B - Fence lock knob (bouton de verrouillage du guide, perilla de fijación de la guía)
- D - Locater pin (goupille de positionnement, pasador de posicionamiento)
- D - Anchor hole (trou d'ancrage, orificio del anclaje)
- E - Work clamp (bride de serrage de pièce, prensa de trabajo)

Fig. 6



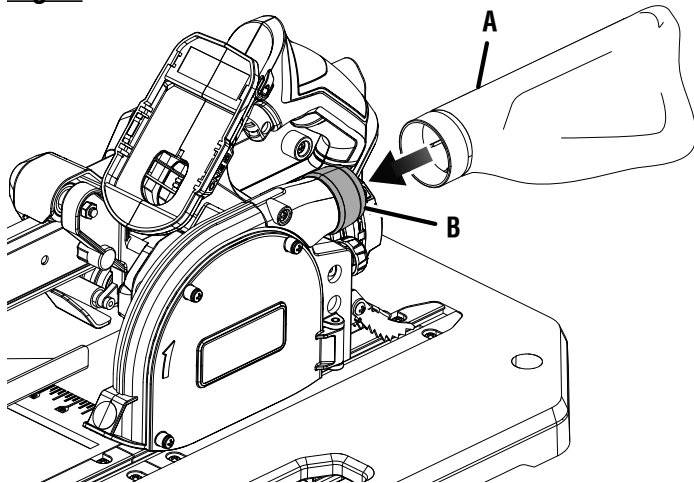
- A - Miter/cross cut fence (guide onglet/coupe transversale, guía de ingletes/corte transversal)
- B - Fence lock knob (bouton de verrouillage du guide, perilla de fijación de la guía)
- C - Work clamp (bride de serrage de pièce, prensa de trabajo)

Fig. 7



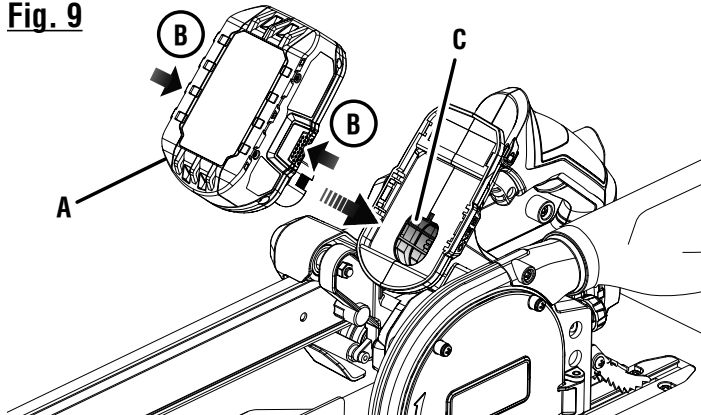
- A - Rip cut fence (guide à coupe longitudinale, guía de corte al hilo)
- B - Fence lock knob (bouton de verrouillage du guide, perilla de fijación de la guía)
- C - Locator pin (goupille de positionnement, pasador de posicionamiento)
- D - Rip groove (rainure de longitudinale, ranura de corte al hilo)

Fig. 8



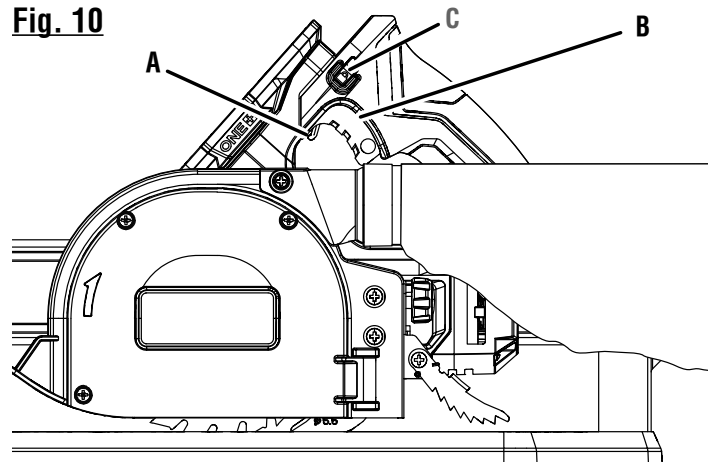
- A - Dust bag (sac à sciure, saco captapolvoa)
- B - Dust exhaust port (orifice d'évacuation de la poussière, abertura de salida de aserrín)

Fig. 9



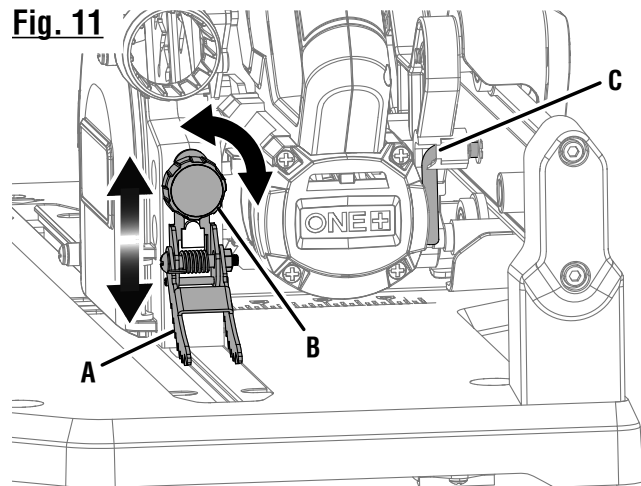
- A - Depress latches to release battery pack (appuyer sur les loquets pour libérer le bloc-piles, para soltar el paquete de baterías oprima los pestillos)
- B - Battery pack (bloc-piles, paquete de baterías)
- C - Battery port (logement de batteries, receptáculo para pilas)

Fig. 10



- A - Lock-out lever (levier de verrouillage, palanca del seguro)
- B - Switch trigger (gâchette de commutateur, gatillo del interruptor)
- C - Lock-on button (bouton de verrouillage, botón de seguro de encendido)

Fig. 11



- A - Anti-kickback pawls (griffes antirebond, trinquetes anticontragolpe)
- B - Release knob (bouton de dégagement, perilla de afloje)
- C - Lock button (bouton de verrouillage, botón del seguro)

Fig. 12

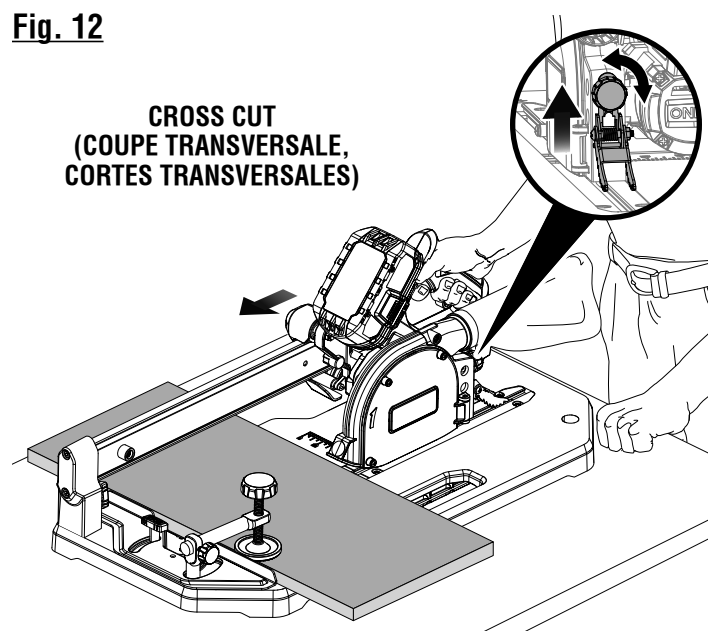


Fig. 13

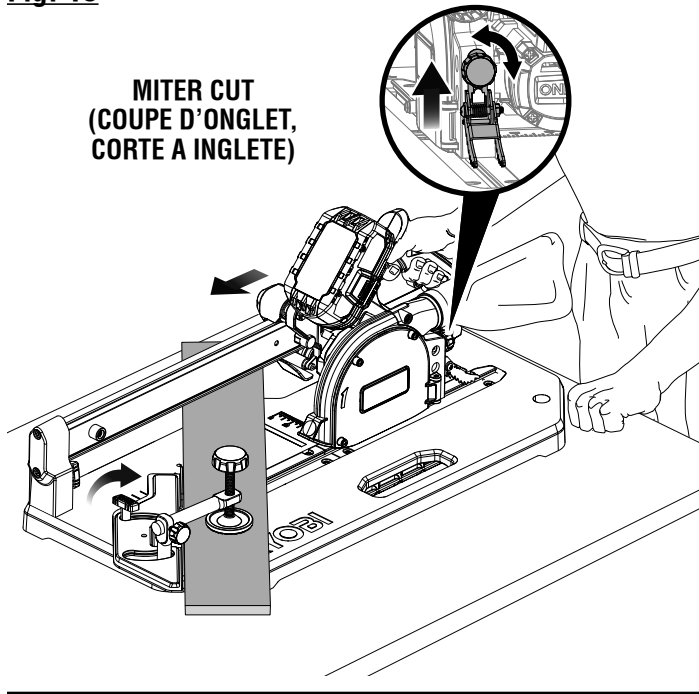
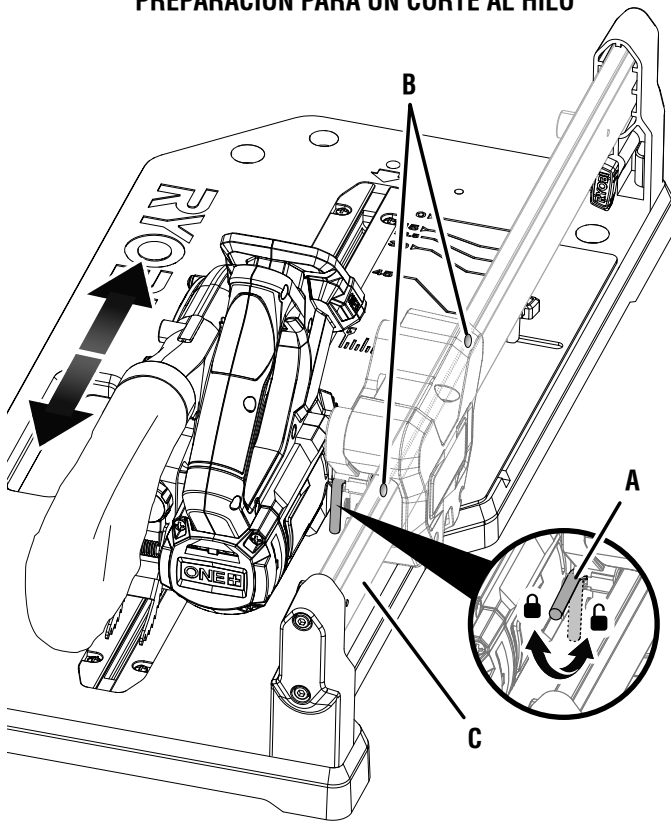


Fig. 14

**PREPARING FOR RIP CUT
PRÉPARATION DE LA COUPE LONGITUDINALE
PREPARACIÓN PARA UN CORTE AL HILO**



- A - Slide lock lever (levier de verrouillage du coulissement, palanca de bloqueo de deslizamiento)
- B - Slide holes (trous du coulissement, orificios laterales)
- C - Slide rail (rail de coulisse, rieles de deslizamiento)

Fig. 15

**RIP CUT
(COUPE LONGITUDINAL,
CORTE AL HILO)**

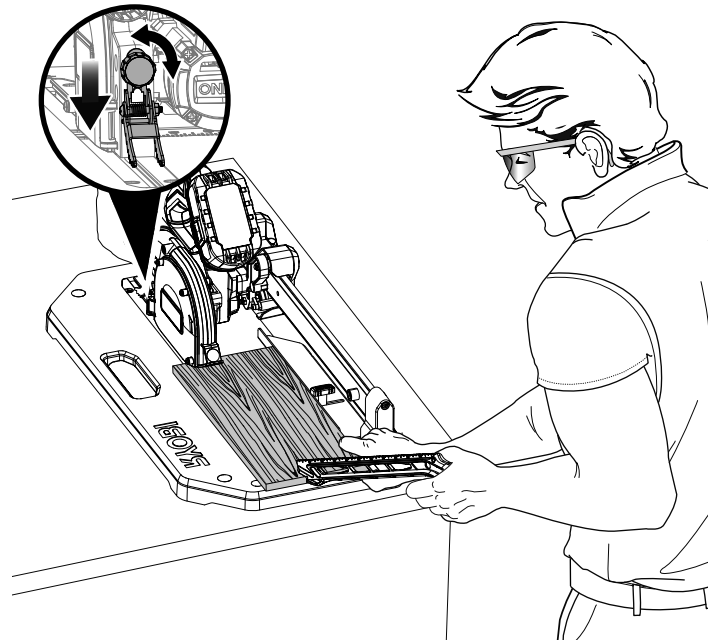
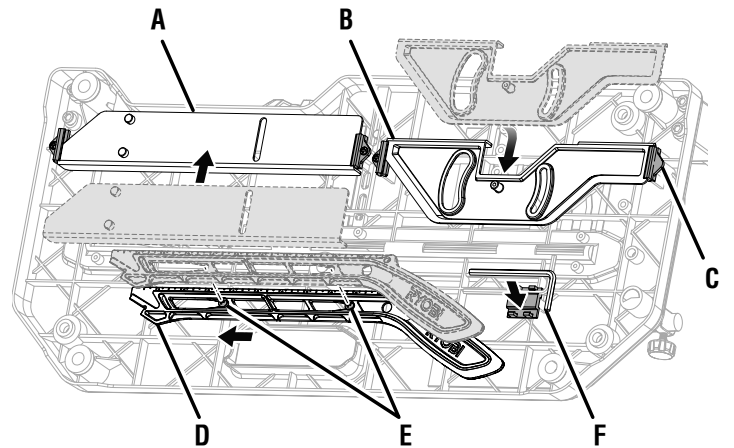
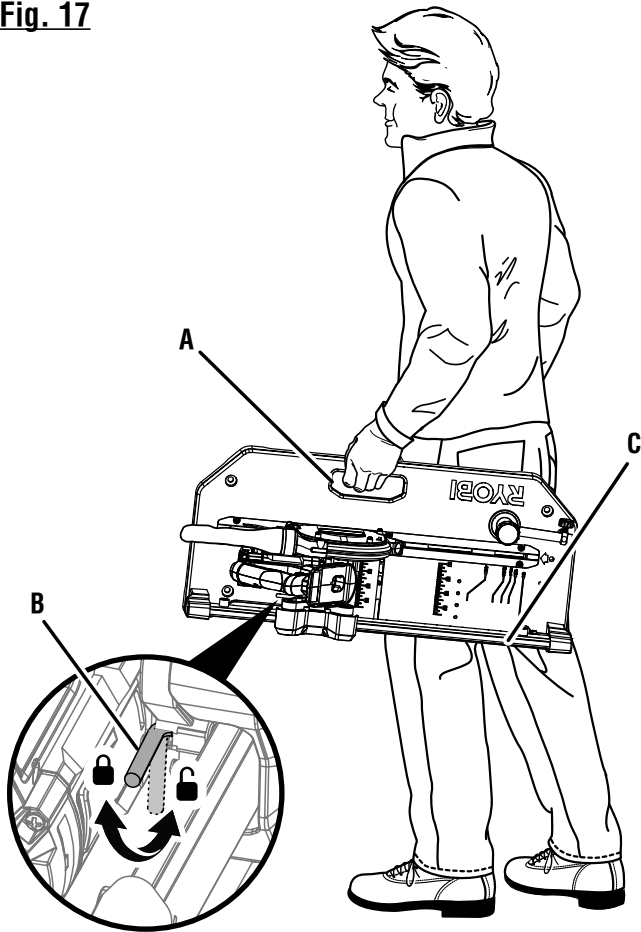


Fig. 16



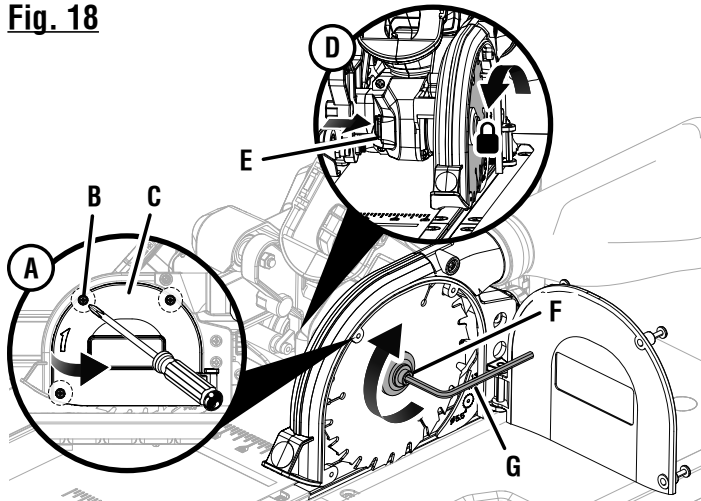
- A - Rip cut fence (guide à coupe longitudinale, guía de corte al hilo)
- B - Miter/cross cut fence (guide onglet/coupe transversale, guía de ingletes/corte transversal)
- C - Rubber slot (fente en caoutchouc, ranura de goma)
- D - Push stick (bâton poussoir, palos empujadora)
- E - Screws (vis, tornillos)
- F - Blade wrench (clé de lame, llave de hoja)

Fig. 17



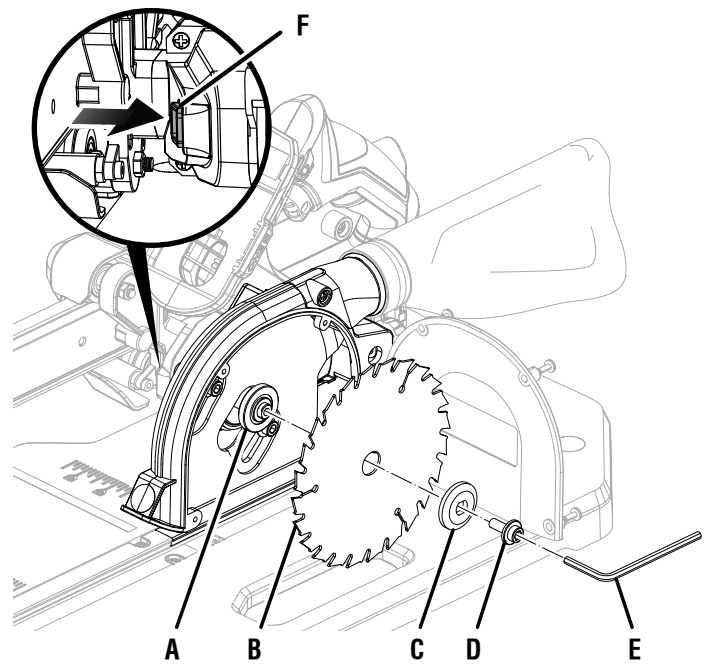
- A - Carrying handle (poignée de transport, mango de acarreo)
- B - Lock pin (goupille de verrouillage, pasador de fijación)
- C - Slide rails (barres coulissante, riel deslizable)

Fig. 18



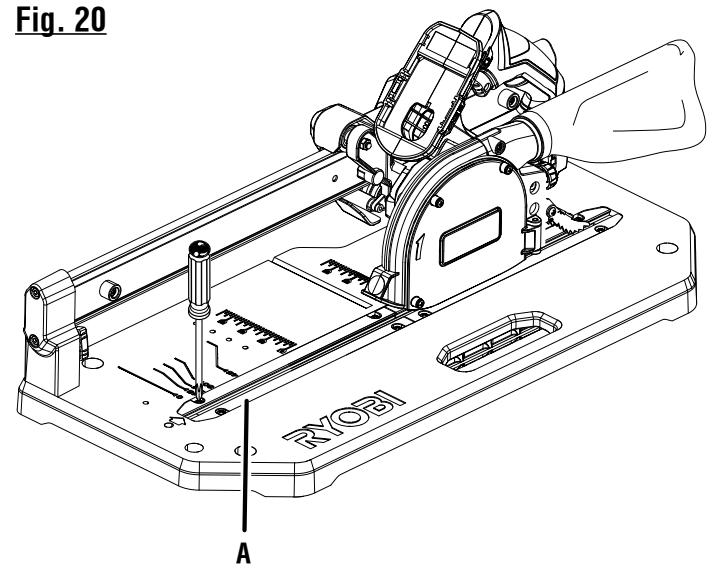
- A - Loosen screws on blade guard (desserrer les vis sur le protège-lame, afloje los tornillos del protector de la hoja)
- B - Blade guard (garde de lame, protección de la hoja)
- C - Screws (vis, tornillos)
- D - Spindle lock (verrouillage de broche, seguro del husillo)
- E - Spindle lock button (bouton de verrouillage de broche, botón del seguro del husillo)
- F - Outer blade washer (rondelle de lame extérieure, arandela exterior de la hoja)
- G - Blade wrench (clé de lame, llave de hoja)

Fig. 19



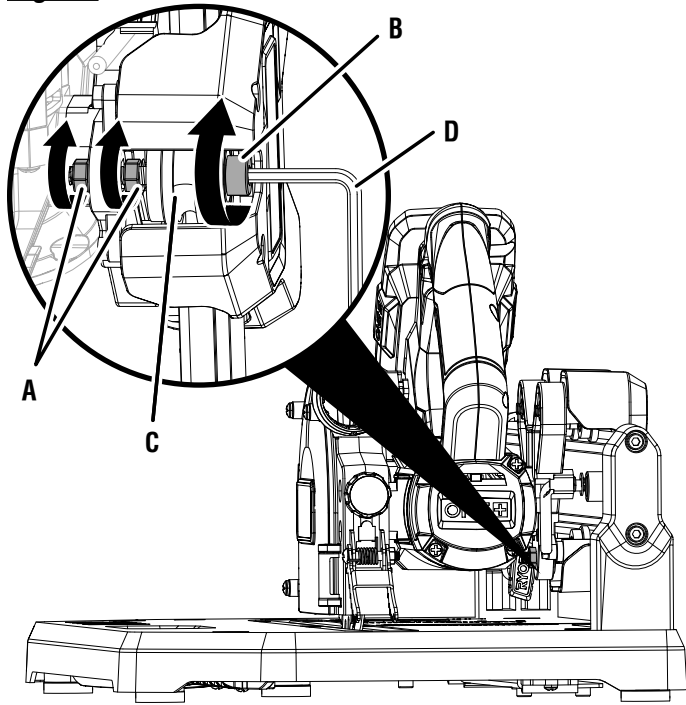
- A - Inner blade washer (rondelle de la lame intérieure, arandela interior de la hoja)
- B - Blade (lame, hoja)
- C - Outer blade washer (rondelle de lame extérieure, arandela exterior de la hoja)
- D - Blade bolt (boulon de lame, perno de la hoja)
- E - Blade wrench (clé de lame, llave de hoja)
- F - Spindle lock button (bouton de verrouillage de broche, botón del seguro del husillo)

Fig. 20



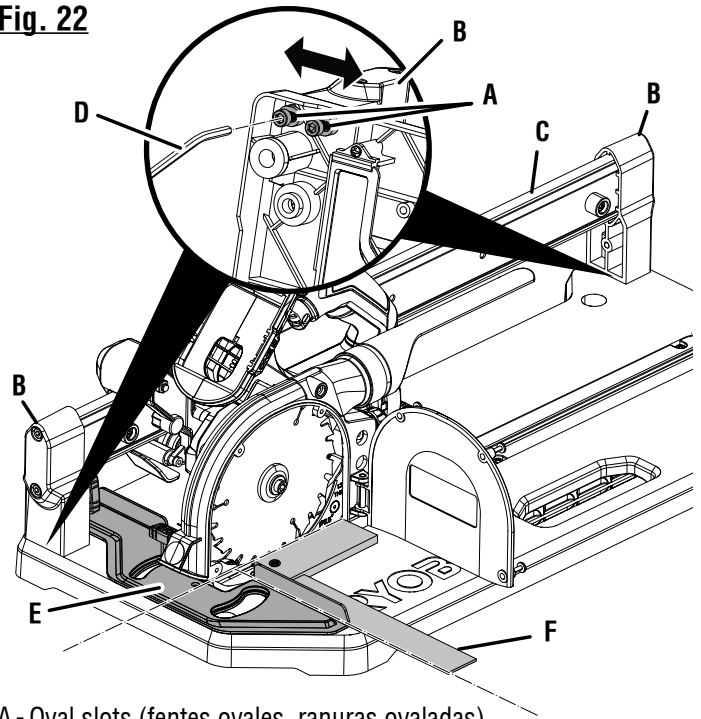
- A - Throat plate (plaque à gorge, placa de la garanta)

Fig. 21



- A - Nuts (écrous, tuercas)
- B - Bolt (boulon, perno)
- C - Lower roller (galet inférieur, rodillo inferior)
- D - Combination wrench (clé mixte, llave combinación)

Fig. 22



- A - Oval slots (fentes ovales, ranuras ovaladas)
- B - Rail mounts (supports du rail, soportes del riel)
- C - Slide rail (barre coulissante, riele deslizable)
- D - Combination wrench (clé mixte, llave combinación)
- E - Miter/cross cut fence (guide onglet/coupe transversale, guía de ingletes/corte transversal)
- F - Framing square (équerre de charpentier, escuadra de carpintero)



OPERATOR'S MANUAL/5-1/2 IN. FLOORING SAW

MANUEL D'UTILISATION/SCIE À PLANCHER DE 139,7 mm (5-1/2 po)

MANUAL DEL OPERADOR/SIERRA PARA PISOS DE 139,7 mm (5-1/2 pulg.)

PGC21B

To request service, purchase replacement parts,
locate an Authorized Service Center or obtain Customer or Technical Support:

Visit www.ryobitools.com or call **1-800-525-2579**

If any parts or accessories are damaged or missing, do not return this product to the store.

Call **1-800-525-2579** for immediate service.

Please obtain your model and serial number from the product data plate.

This product is covered under a 3-year limited Warranty. Proof of purchase is required.

MODEL NUMBER* _____ SERIAL NUMBER _____

**Model number on product may have additional letters at the end. These letters designate manufacturing information and should be provided when calling for service.*

RYOBI is a registered trademark of Ryobi Limited and is used pursuant to a license granted by Ryobi Limited.

Pour faire une demande de réparations ou obtenir des pièces de rechange, trouver un
Centre de réparations agréé pour obtenir un soutien technique ou le Service à la clientèle :

Visiter www.ryobitools.com ou en téléphonant au **1-800-525-2579**

Si des pièces ou accessoires sont manquantes ou endommagées, ne pas retourner
ce produit au magasin. Appeler immédiatement au **1-800-525-2579** pour obtenir de l'aide.

Inscrire les numéros de modèle et de série inscrits sur la plaque d'identification du produit.

Ce produit est couvert par une garantie limitée de trois (3) ans. Une preuve d'achat est exigée.

NUMÉRO DE MODÈLE* _____ NUMÉRO DE SÉRIE _____

**Le numéro de modèle sur le produit peut contenir des lettres supplémentaires à la fin. Ces lettres désignent les informations du fabricant et doivent être fournies lors d'un appel de demande de service.*

RYOBI est une marque déposée de Ryobi Limited et est utilisée en vertu d'une licence accordée par Ryobi Limited.

Para obtener servicio, comprar piezas de repuesto, localizar un centro
de servicio autorizado y obtener Servicio o Asistencia Técnica al Consumidor:

Visite www.ryobitools.com o llame al **1-800-525-2579**

Si hay alguna pieza ou accesorios dañada o faltante, no devuelva este producto a la tienda.

Llame al **1-800-525-2579** para servicio técnico inmediato.

Obtenga su modelo y número de serie de la placa de datos del producto.

Este producto está cubierto con una garantía limitada de 3 años. Se solicita prueba de la compra.

NÚMERO DE MODELO* _____ NÚMERO DE SERIE _____

**El número de modelo que figura en el producto podría tener letras adicionales al final. Estas designan información de fabricación y deben suministrarse cuando llame para obtener asistencia o servicio.*

RYOBI es una marca registrada de Ryobi Limited y se utiliza conforme a una licencia otorgada por Ryobi Limited.

ONE WORLD TECHNOLOGIES, INC.

P.O. Box 1288, Anderson, SC 29622 • Phone 1-800-525-2579

États-Unis, Téléphone 1-800-525-2579 • USA, Teléfono 1-800-525-2579

www.ryobitools.com